

4

3

2

1

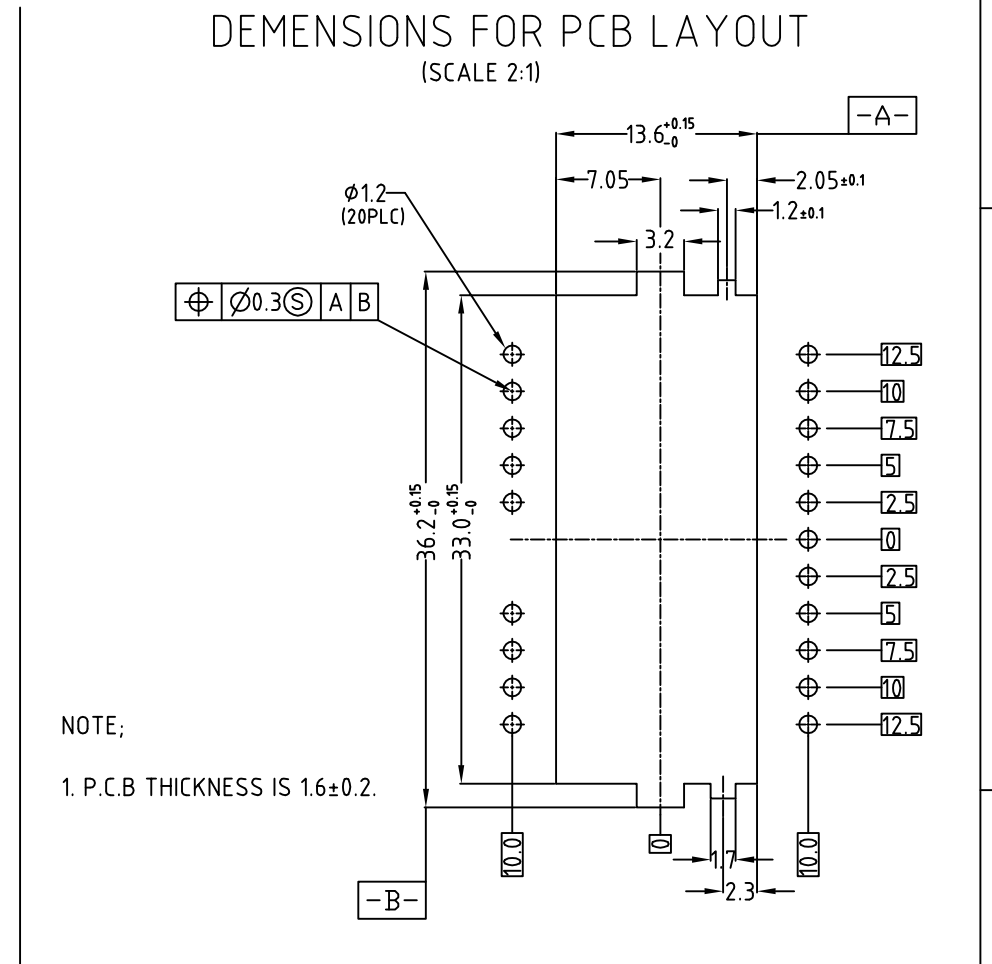
THIS DRAWING IS UNPUBLISHED. RELEASED FOR PUBLICATION  
COPYRIGHT BY TYCO ELECTRONICS CORPORATION, ALL RIGHTS RESERVED.

LOC DS DIST

REVISIONS

P	LTR	DESCRIPTION	DATE	DWN	APVD
	A	REVISED(FC00-0275-04)	03,NOV,04	CH	CS
	B	REVISED(FC00-0030-05)	25,JAN,05	YD	CS
	C	REVISED(ECR-07-002992)	20,APR,07	BS	JK

DEMENSIONS FOR PCB LAYOUT  
(SCALE 2:1)

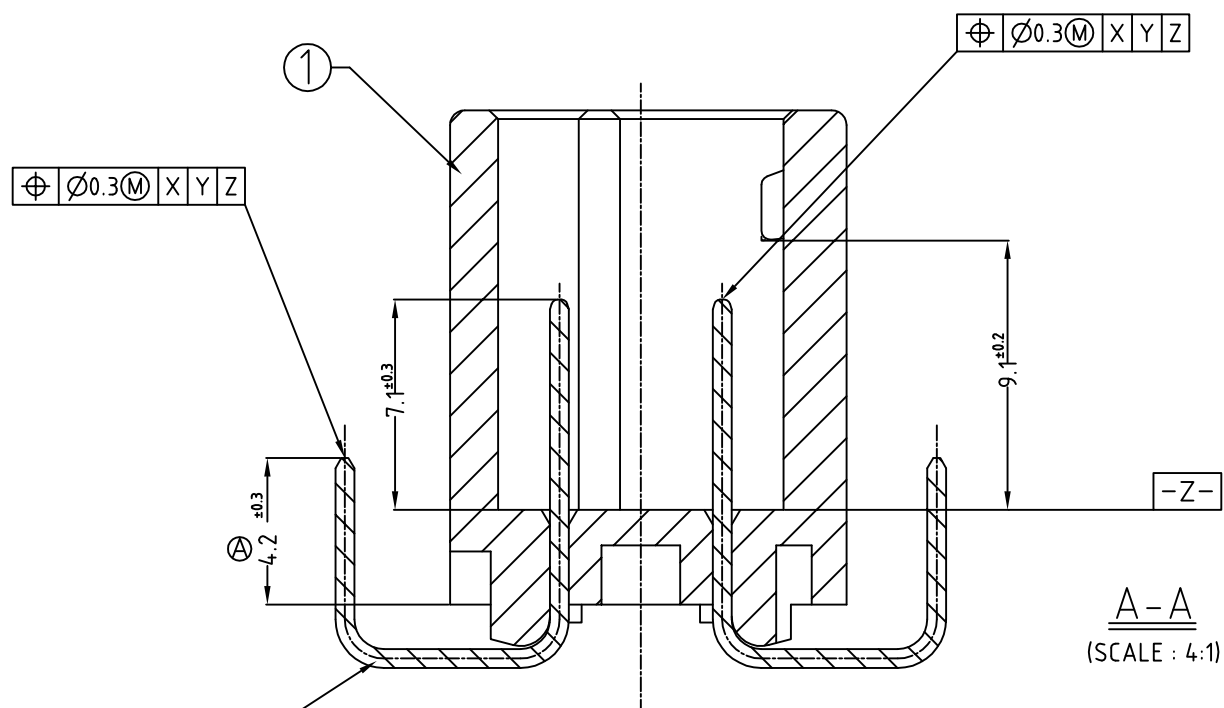
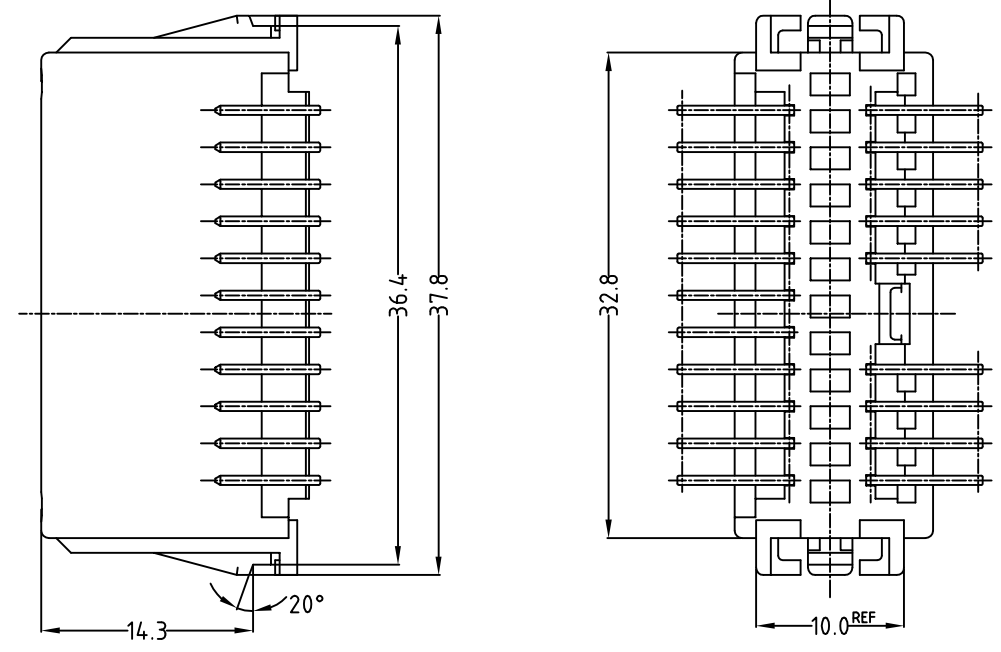
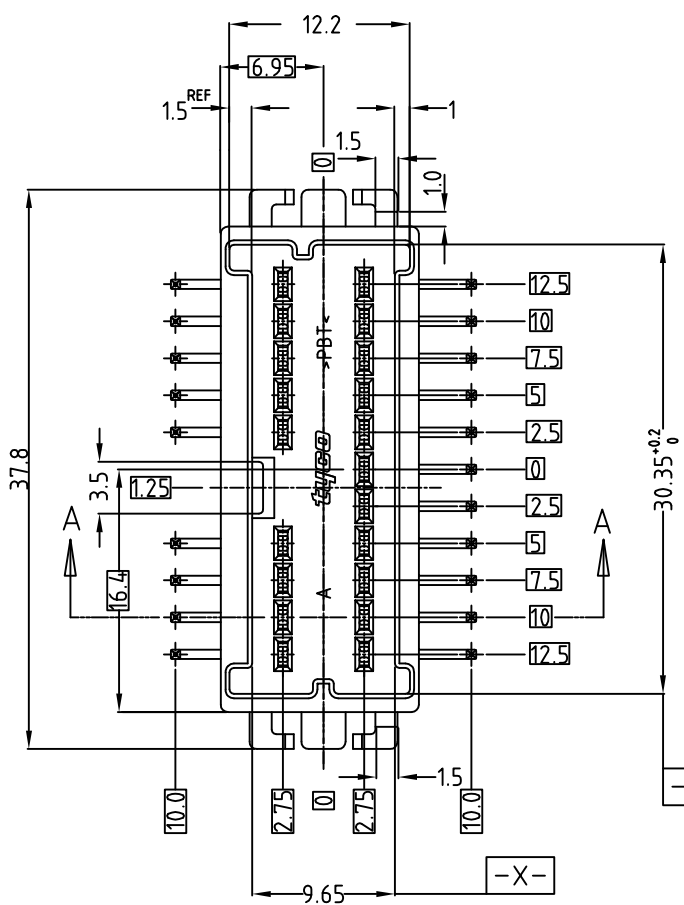


NOTE:  
1. P.C.B THICKNESS IS 1.6±0.2.

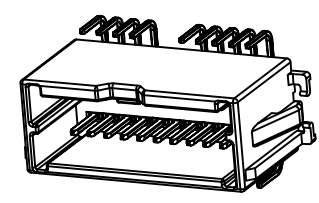
NOTE:  
1. INITIAL DISENGAGEMENT FORCE 29.4N(3kg)MIN.  
2. BE MATED WITH PLUG HSG (P/N : 936473) SMOOTHLY.

0-936601-1  
ASSY P/N

NO.	PART NO.	DESCRIPTION	MATERIAL	COLOR/FINISH	Q'TY
2	7-173738-2	040 TAB	BRASS	SELECTIVE-TIN	20
1	0-936602-1	CAP HSG	PBT	NATURAL	1



A-A  
(SCALE : 4:1)



3D - VIEW  
(SCALE 1:1)

THIS DRAWING IS A CONTROLLED DOCUMENT FOR TYCO ELECTRONICS CORPORATION  
IT IS SUBJECT TO CHANGE AND THE CONTROLLING ENGINEERING ORGANIZATION  
SHOULD BE CONTACTED FOR THE LATEST REVISION.

DIMENSIONS: MM	TOLERANCES UNLESS OTHERWISE SPECIFIED: 0 <XX<10 ± 0.2 10<XX<30 ± 0.25 30<XX ± 0.3 ANGLES ± 3°
3rd ANGLE PROJECTION	
MATERIAL SEE TABLE	FINISH

DWN : BS YOO
CHK : YM CHOI
APVD : JK SONG
PRODUCT SPEC
APPLICATION SPEC
WEIGHT

**tyco** AMP KOREA, kyungsan, korea  
**Electronics**

NAME  
.040III 20Pos. CAP ASSEMBLY FOR CLUSTER

SIZE CAGE CODE DRAWING NO RESTRICTED TO  
A3 00779 C- 936601

CUSTOMER DRAWING SCALE 2:1 SHEET 1 OF 1 REV C