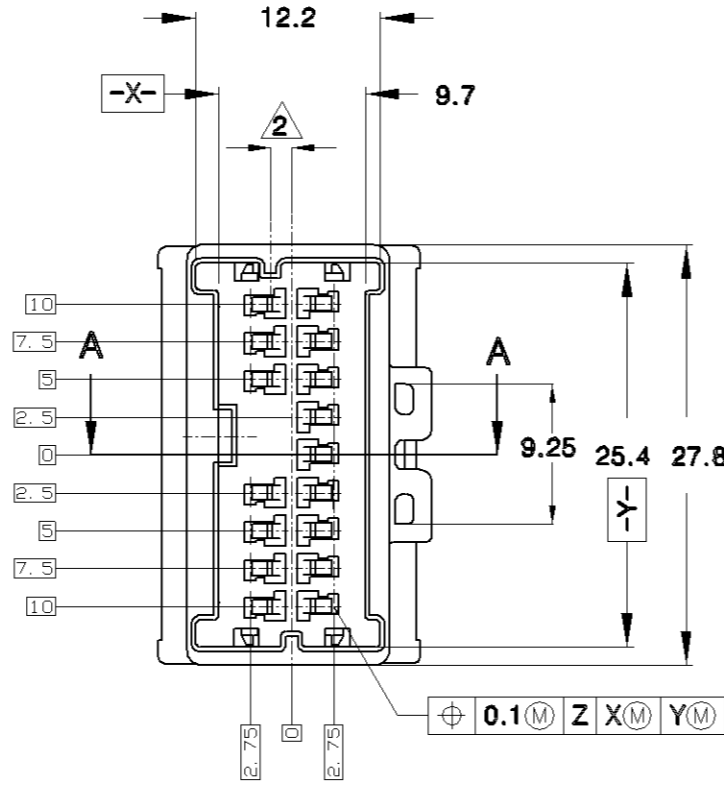
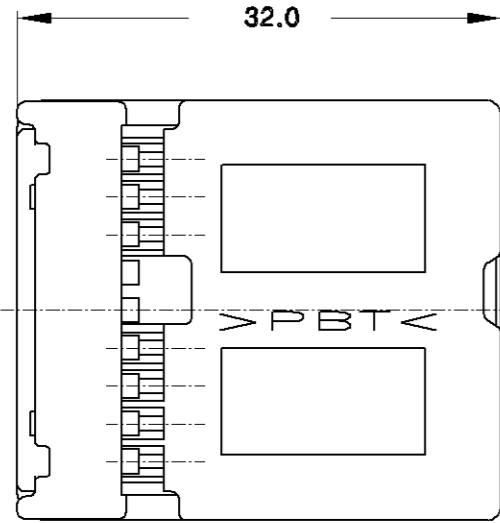
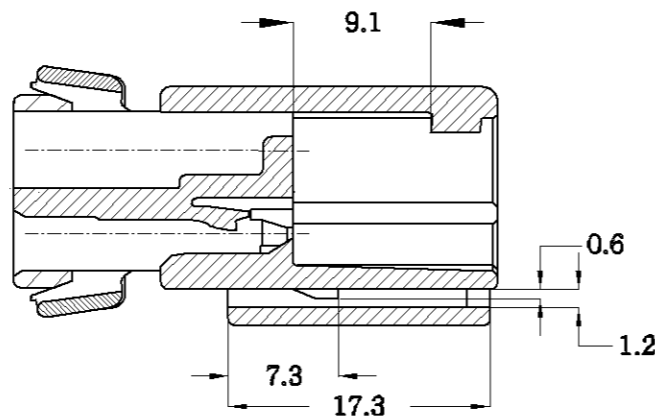
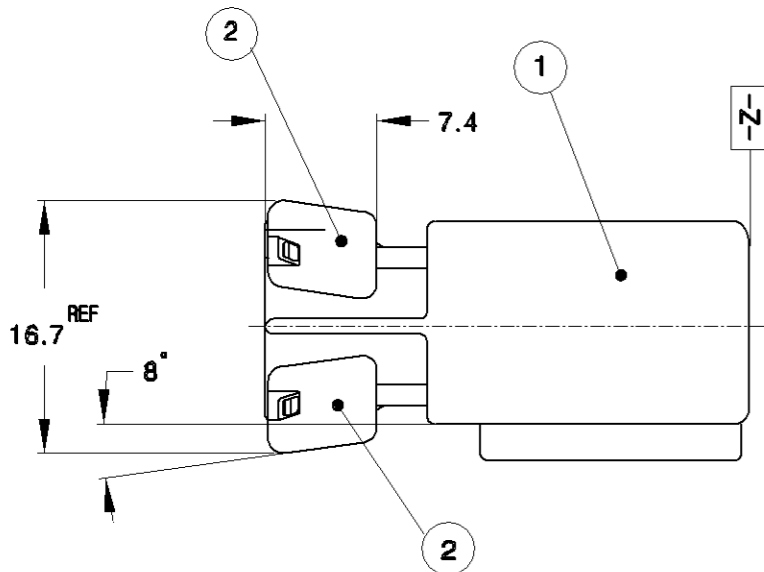


LOC	DIST	REVISIONS					
		P	LTR	DESCRIPTION	DATE	DWN	APVD
DS		0		RELEASED(FC00-0039-03)	27/MAR/'03	HS	CS
		A		REVISED(FC00-0101-03)	19/JUL/'03	HS	CS
		A1		REVISED(ECR-07-021917)	14/SEP/'07	SW	JK

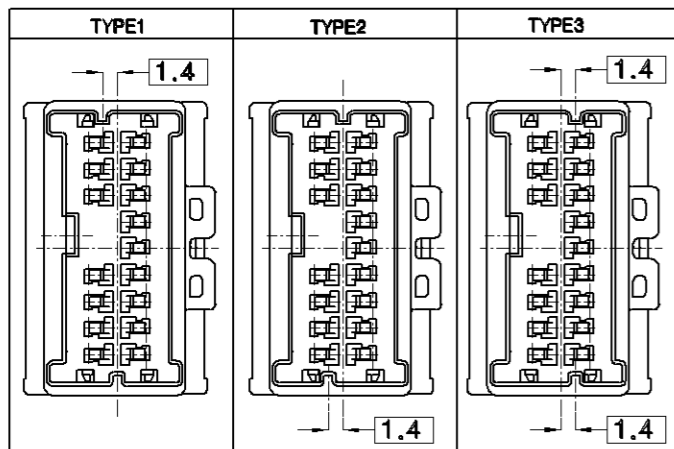


- NOTES:
 1. PLATE MUST BE COMPLETELY PRE-ASSEMBLED
 2. KEY CODE : REFER TO THE TABLE
 3. APPLICABLE CONTACT P/N: 353537-1, 353537-2 (A1)
 4. THE MATING P/N ; 936471

- 주기
 1. PLATE는 그림과 같이 1차 locking 상태로 공급되어짐.
 2. KEY CODE : TABLE 참조
 3. 적용 TML P/N: 353537-1, 353537-2 (A1)
 4. 상대 하우징 P/N ; 936471



<KEY CODE>



ITEM NO	FINISH/COLOR	MATERIAL	DESCRIPTION	KEY CODE TYPE	ASS'Y P/N								
					936497-8	936497-7	936497-6	936497-5	936497-4	936497-3	936497-2	936497-1	
2	BLACK		16Pos.DBL LOCK PLATE	-	2	2	2	2	2	2	2	2	2
1	BLUE			1	1	-	-	-	-	-	-	-	-
	GREEN			1	-	1	-	-	-	-	-	-	-
	RED			1	-	-	1	-	-	-	-	-	-
	YELLOW			1	-	-	-	1	-	-	-	-	-
	BROWN			2 (A)	-	-	-	-	1	-	-	-	-
	GRAY			3 (A)	-	-	-	-	-	1	-	-	-
	BLACK			1	-	-	-	-	-	-	1	-	-
	NATURAL	PBT	16Pos. CAP HSG	1	-	-	-	-	-	-	-	1	

THIS DRAWING IS A CONTROLLED DOCUMENT FOR TYCO ELECTRONICS CORPORATION. IT IS SUBJECT TO CHANGE AND THE CONTROLLING ENGINEERING ORGANIZATION SHOULD BE CONTACTED FOR THE LATEST REVISION.

DIMENSIONS: MM	TOLERANCES UNLESS OTHERWISE SPECIFIED: 0 <XX<10 ± 0.2 10 <XX<30 ± 0.25 30 <XX ± 0.3 ANGLES ± 3°	DWN SW NA	AMP KOREA. kyungsan, korea
3rd ANGLE PROJECTION	MATERIAL	CHK YM CHOI	
SEE TABLE	FINISH	APVD JK SONG	
		PRODUCT SPEC	
		APPLICATION SPEC	NAME
		WEIGHT	16 Pos CAP HOUSING ASS'Y 040 III MLC CONN.
			SIZE CAGE CODE DRAWING NO RESTRICTED TO
			A3 00779 C- 936497
			CUSTOMER DRAWING SCALE 2/1 SHEET 1 OF 1 REV A1