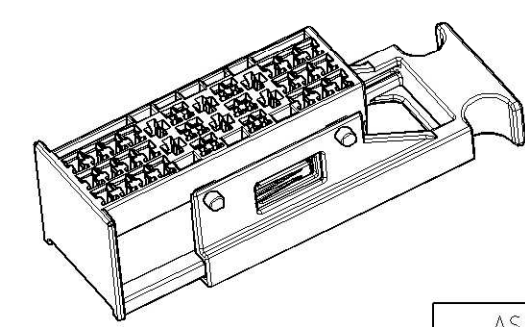
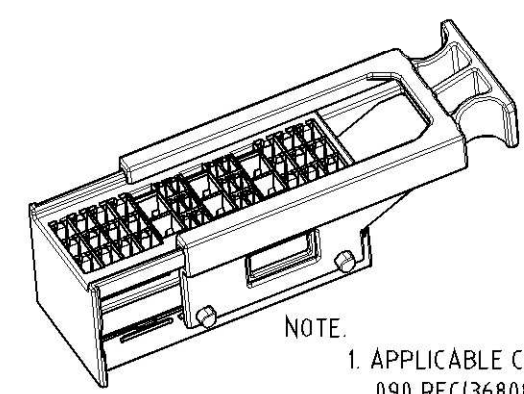
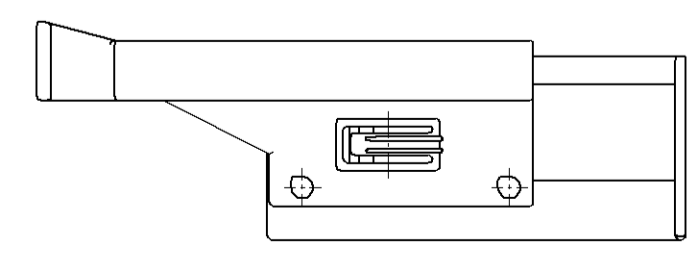
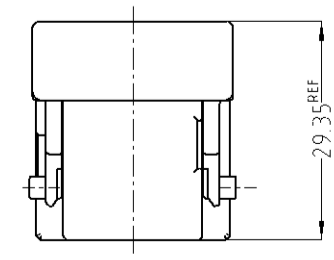
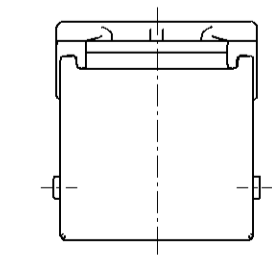
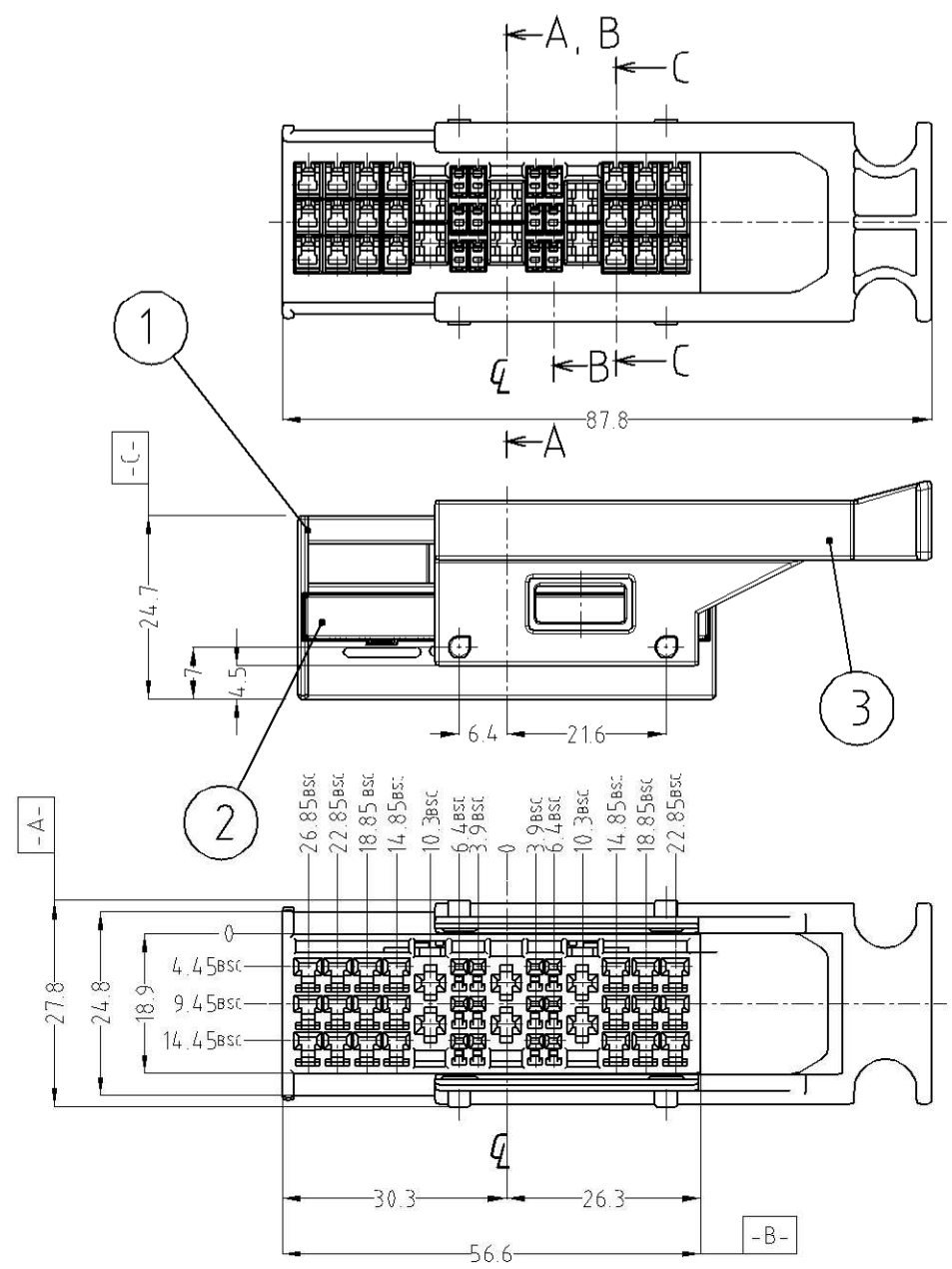


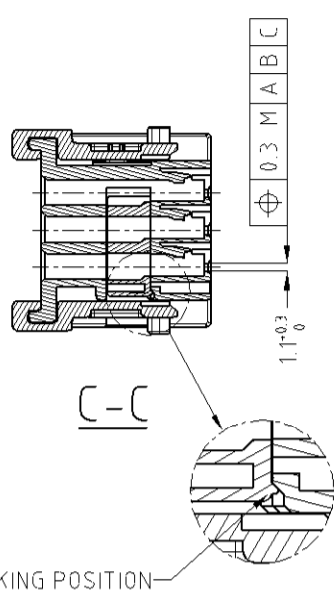
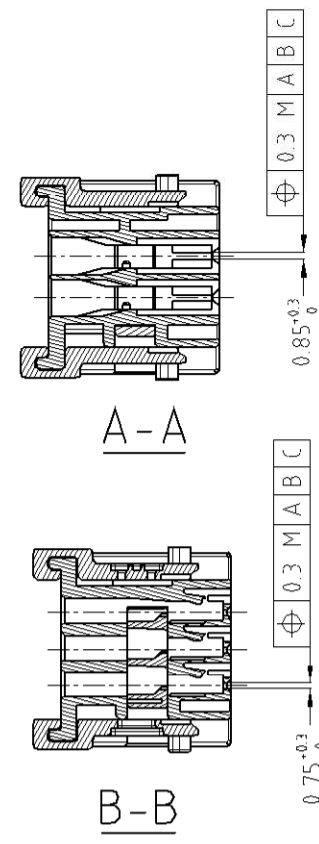
| LOC | DIST | REVISIONS | | | | | |
|-----|------|-----------|-----|-------------------------|-----------|-----|------|
| DS | | P | LTR | DESCRIPTION | DATE | DWN | APVD |
| | | | A | REVISED (FC00-0037-03) | 25,MAR,03 | HS | CS |
| | | | B | REVISED (FC00-0024-04) | 10,FEB,04 | MS | CS |
| | | | C | REVISED (ECR-07-010398) | 4,MAY,07 | SW | JK |

TABLE 1.

| CODE I (0-936405-1,2) -BLACK LEVER- | CODE II (1-936405-1,2) -GRAY LEVER- |
|-------------------------------------|-------------------------------------|
| | |



NOTE.
 1. APPLICABLE CONTACT P/N : .040 REC(316836-1, 316838-1)
 .090 REC(368085-1, 368084-1, 368083-1)
 2.8mm FASTIN REC(927768-3, 92771-3)
 2. BE MATED WITH CAP HSG (P/N : 936409) SMOOTHLY.



| ASS'Y P/N | | | |
|------------|------------|------------|------------|
| 1-936405-2 | 1-936405-1 | 0-936405-2 | 0-936405-1 |

| NO | COLOR/FINISH | MATERIAL | DESCRIPTION | PART NO. | ASS'Y FOR QTY | | | |
|----|--------------|----------|------------------------------------|-------------|---------------|---|---|---|
| 3 | GRAY | PBT-GF20 | SLIDE LEVER HOUSING FOR HYBRID 39P | 0-1897316-3 | 1 | 1 | | |
| | BLACK | PBT-GF20 | SLIDE LEVER HOUSING FOR HYBRID 39P | 0-936408-2 | | | 1 | 1 |
| 2 | NATURAL | PBT | PLUG DBL HOUSING FOR HYBRID 39P | 0-936407-1 | 1 | 1 | 1 | 1 |
| | BLACK | PBT | PLUG HOUSING FOR HYBRID 39P | 0-936406-2 | 1 | | 1 | |
| 1 | NATURAL | PBT | PLUG HOUSING FOR HYBRID 39P | 0-936406-1 | | 1 | | 1 |

THIS DRAWING IS A CONTROLLED DOCUMENT FOR TYCO ELECTRONICS CORPORATION. IT IS SUBJECT TO CHANGE AND THE CONTROLLING ENGINEERING ORGANIZATION SHOULD BE CONTACTED FOR THE LATEST REVISION.

| | | | | | | |
|----------------------|---|--|--------------------------------------|-----------------|-------------------------------|--------------------|
| DIMENSIONS: MM | TOLERANCES UNLESS OTHERWISE SPECIFIED: 0 <XX<10 ± 0.2 10<XX<30 ± 0.25 30<XX ± 0.3 ANGLES ± 3° | DWN SW NA CHK YM CHOI APVD JK SONG | tyco Electronics | | AMP KOREA. kyungsan, korea | |
| 3rd ANGLE PROJECTION | MATERIAL SEE TABLE | FINISH SEE TABLE | NAME PLUG ASSEMBLY FOR HYBRID 39P | | RESTRICTED TO | |
| | | WEIGHT --- | SIZE A3 | CAGE CODE 00779 | DRAWING NO C-936405 | |
| | | | CUSTOMER DRAWING | | SCALE 3:1 | SHEET 1 OF 1 REV C |