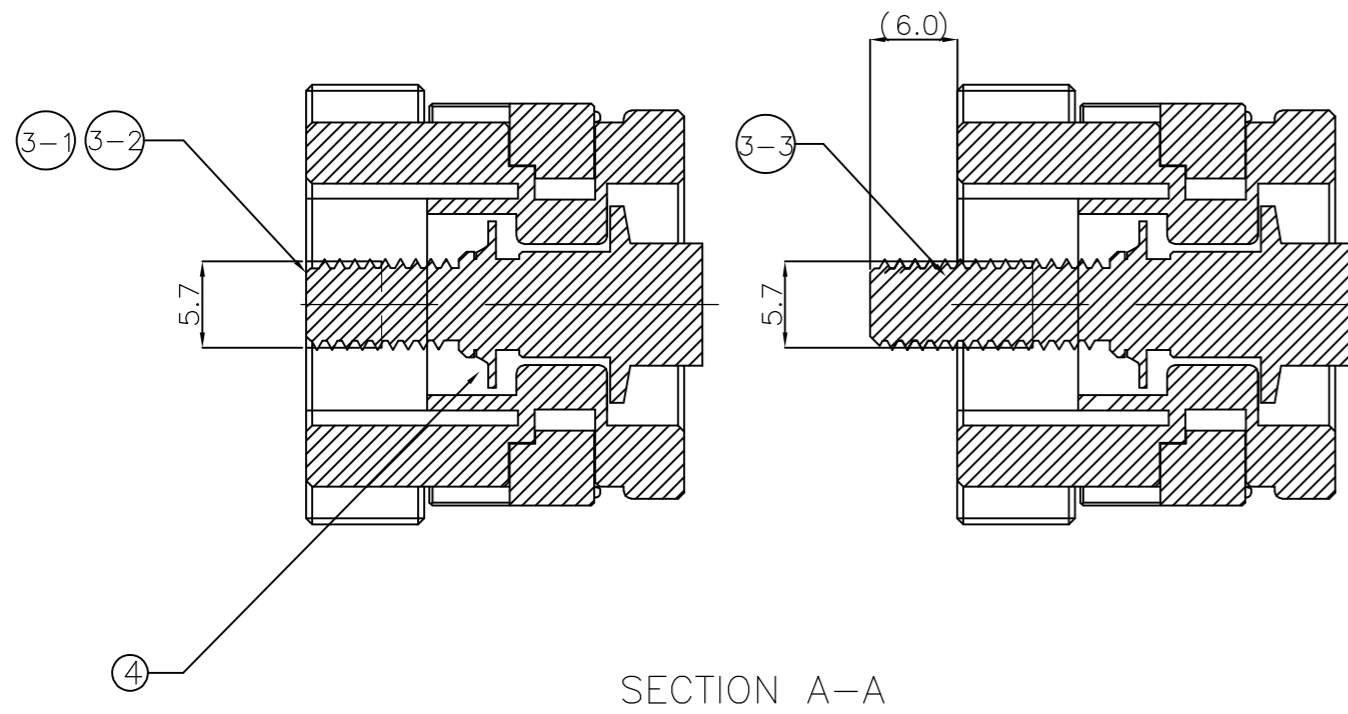
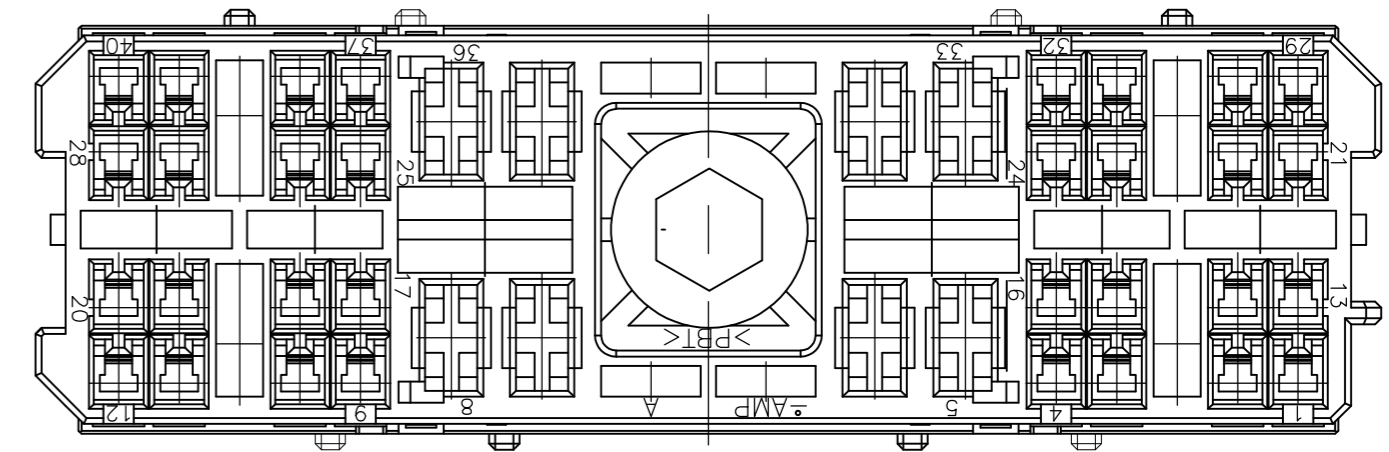
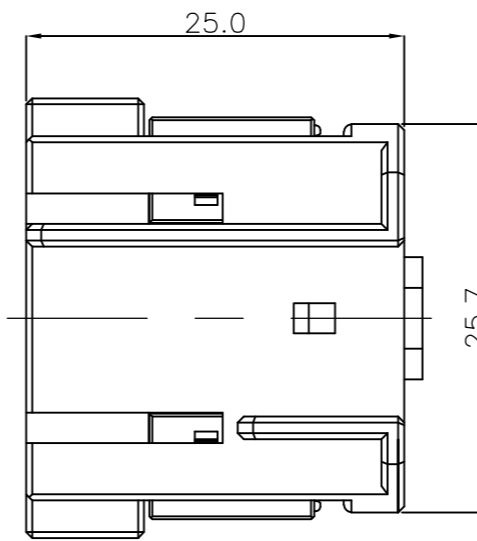
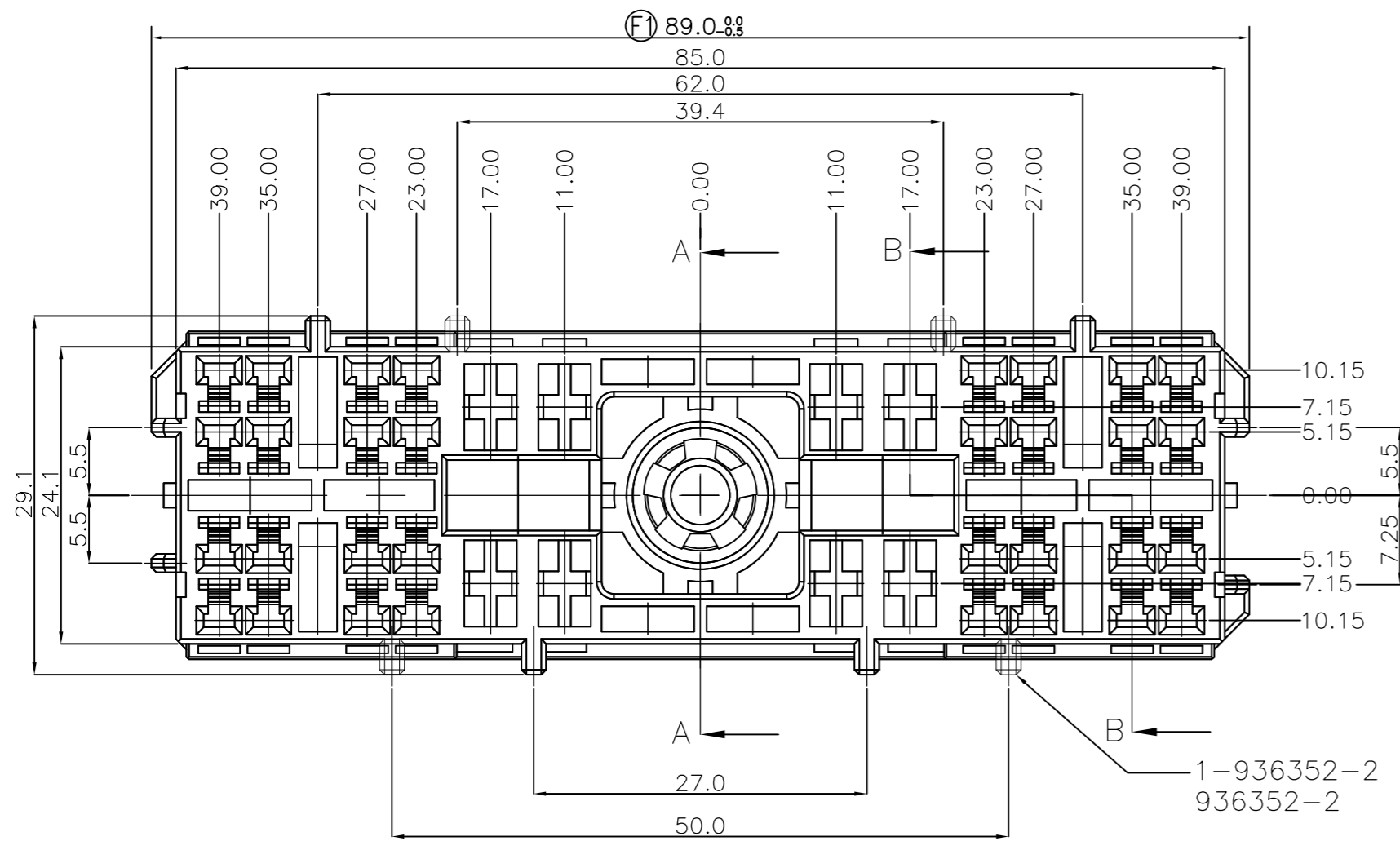
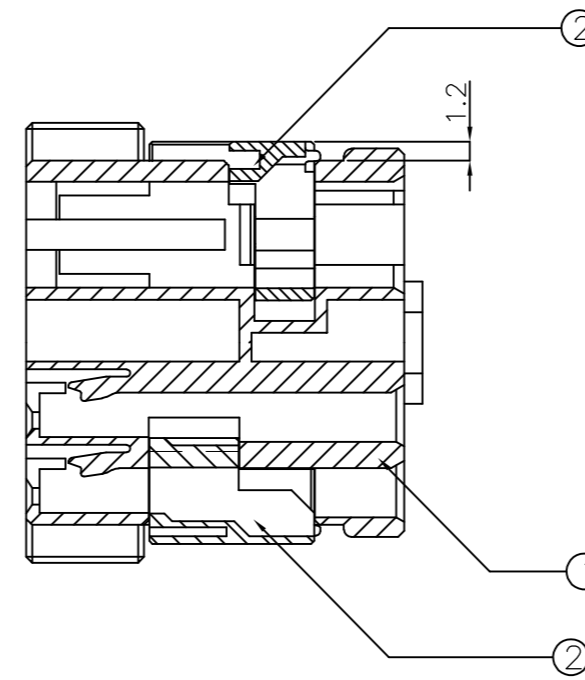


THIS DRAWING IS UNPUBLISHED. RELEASED FOR PUBLICATION
 © COPYRIGHT - TE Connectivity ALL RIGHTS RESERVED.

REVISIONS					
P	LTR	DESCRIPTION	DATE	DWN	APVD
F1		REVISED(ECR-17-010032)	12/JUL/17	HJ	YJ



SECTION A-A



SECTION B-B

NOTES

- APPLIED CONTACT P/N :
 090 II - 368083, 368084, 368085
 S.P.T - 927839, 927827, 927833, 927824
 090 III - 1743654, 1743655, 1743656
- BOLT TORQUE : 1.0kgf.m MAX

NO	P/N	DESCRIPTION	MATERIAL	FINISH/COLOR	Q'TY				
④	2005633-1	PUSH NUT(NEW)	SUS 304(3/4H)	-	1	1	1	1	1
3-3	936826-2	BOLT (7mm)	SWCH10A	PFZn8-C	1	-	-	-	-
3-2	1-936826-1	BOLT (8mm)	SWCH10A	PFZn8-C	-	1	-	-	-
3-1	936826-1	BOLT (7mm)	SWCH10A	PFZn8-C	-	-	1	-	1
②	936065-1	DBL HSG	PBT	YELLOW	2	2	2	2	2
①	936064-2	40P PLUG HSG	PBT	BLACK	-	1	1	-	-
	936064-1	40P PLUG HSG	PBT	DARK GRAY	1	-	-	1	1

P/N	DESCRIPTION
936352-3	090/SPT HYB 40P PLUG ASS'Y (7mm, LONG)
1-936352-2	090/SPT HYB 40P PLUG ASS'Y (8mm BOLT)
936352-2	090/SPT HYB 40P PLUG ASS'Y (7mm BOLT)
1-936352-1	090/SPT HYB 40P PLUG ASS'Y (8mm BOLT)
936352-1	090/SPT HYB 40P PLUG ASS'Y (7mm BOLT)

THIS DRAWING IS A CONTROLLED DOCUMENT.

DIMENSIONS: mm	TOLERANCES UNLESS OTHERWISE SPECIFIED: 0 PLC ± 1 PLC ± 0.2 2 PLC ± 0.25 3 PLC ± 0.3 4 PLC ± ANGLES ± 3	FINISH SEE TABLE	WEIGHT 0	SCALE 2:1	SHEET 1 OF 1	REV F1
-------------------	--	---------------------	-------------	--------------	-----------------	-----------

TE Connectivity
 090/SPT HYB 40P PLUG HSG ASSY
 SIZE: A2 CAGE CODE: 00779 DRAWING NO: 936352
 CUSTOMER DRAWING