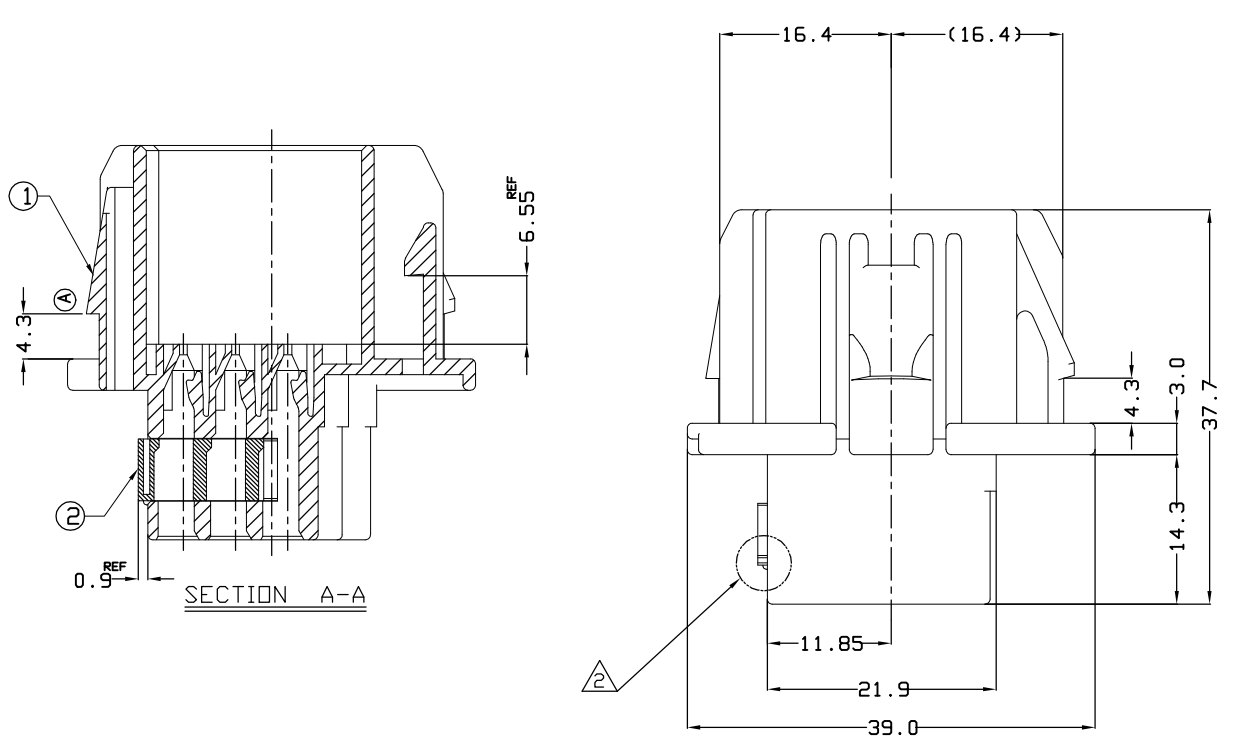
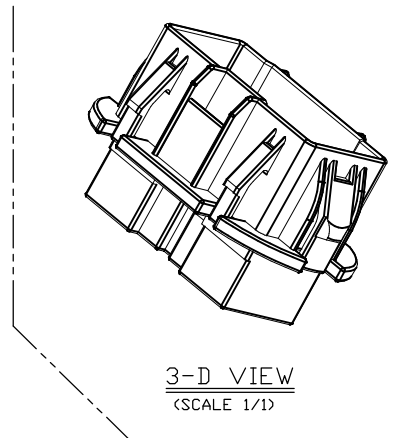
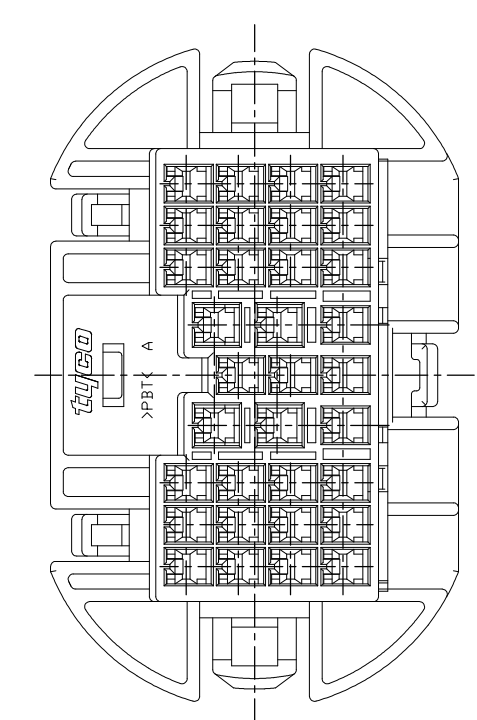
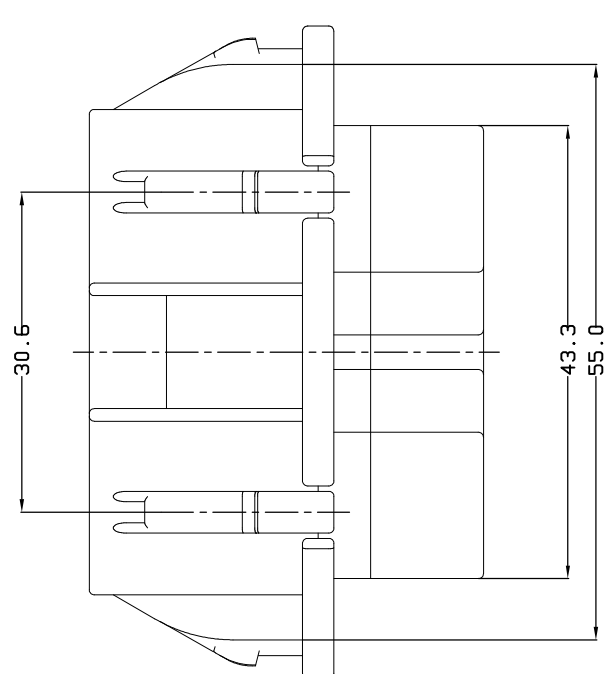
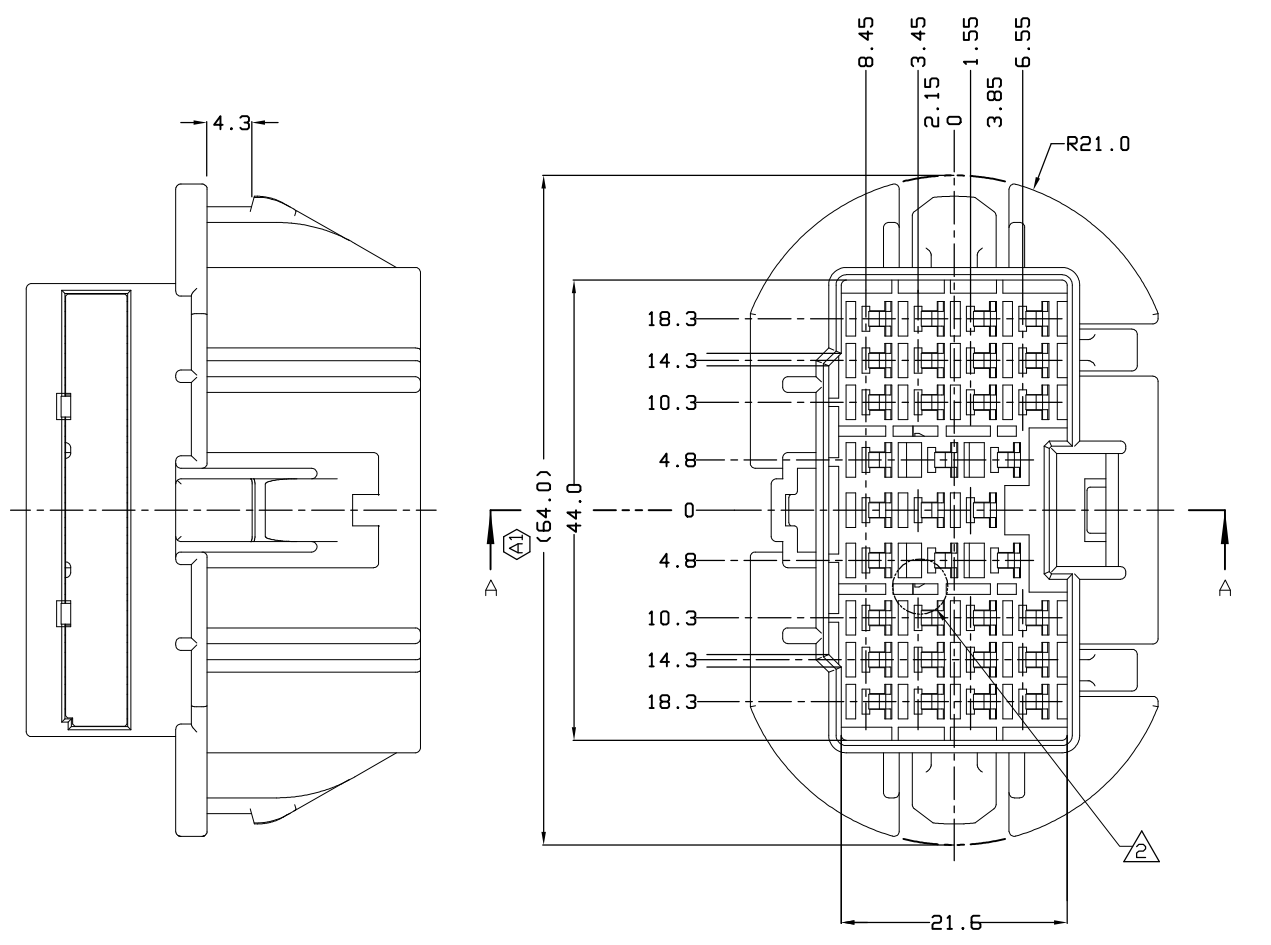
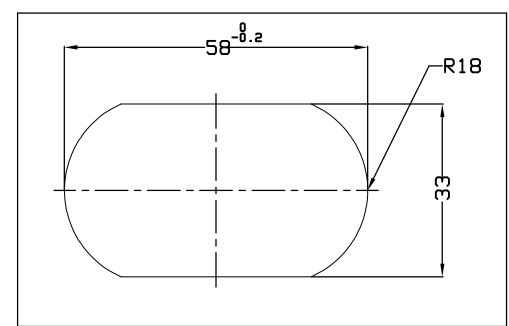


| LDC |     | DIST                   |                | REVISIONS |      |  |  |
|-----|-----|------------------------|----------------|-----------|------|--|--|
| P   | LTR | DESCRIPTION            | DATE           | DWN       | APVD |  |  |
| 0   |     | RELEASE(FC00-0176-03)  | 2003<br>31,DEC | MS        | CS   |  |  |
| A   |     | RELEASE(FC00-0027-05)  | 2005<br>24,JAN | BH        | CS   |  |  |
| A1  |     | REVISED(ECR-18-003822) | 2018<br>13,MAR | HH        | YJ   |  |  |



- NOTES
- GENERAL TOLERANCE IS ±0.3
  - CONDITION OF DELIVERY : DBL IN 1 ST LOCKING POSITION
  - PANAL LAYOUT :



| P/N        | DESCRIPTION  |
|------------|--------------|
| 0-936346-1 | CAP ASSEMBLY |

| NO | P/N        | DESCRIPTION | MATERIAL | COLOR | Q'TY |
|----|------------|-------------|----------|-------|------|
| 2  | 0-936282-1 | DBL HSG     | P.B.T    | WHITE | 1    |
| 1  | 0-936347-1 | CAP HSG     | P.B.T    | WHITE | 1    |

THIS DRAWING IS A CONTROLLED DOCUMENT FOR AMP INCORPORATED. IT IS SUBJECT TO CHANGE AND THE CONTROLLING ENGINEERING ORGANIZATION SHOULD BE CONTACTED FOR THE LATEST REVISION.

DIMENSIONS: mm

TOLERANCES UNLESS OTHERWISE SPECIFIED:  
 0 <XX<10 ± 0.2  
 10<XX<30 ± 0.25  
 30<XX ± 0.3  
 ANGLES ± 3°

3rd ANGLE PROJECTION

MATERIAL: SEE TABLE

FINISH

tyco Electronics

AMP KOREA, kyungsan, korea

NAME: .090/JPT 33P CAP ASS'Y FOR DOOR TO BODY

SIZE: A2 CAGE CODE: 00779 DRAWING NO: 936346

SCALE: 2:1 SHEET 1 OF 1 REV: A1