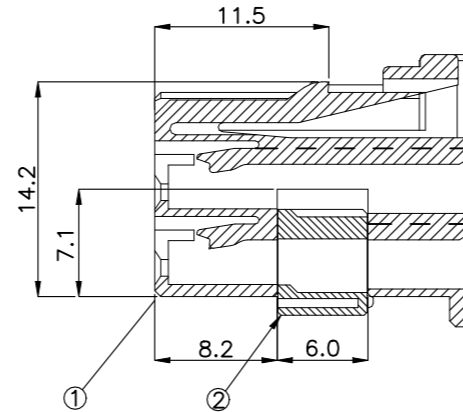
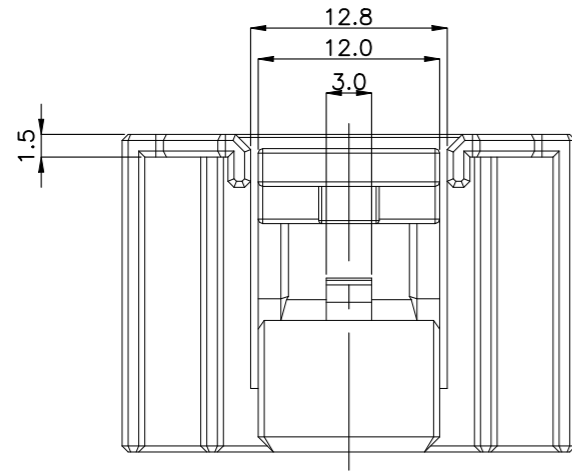
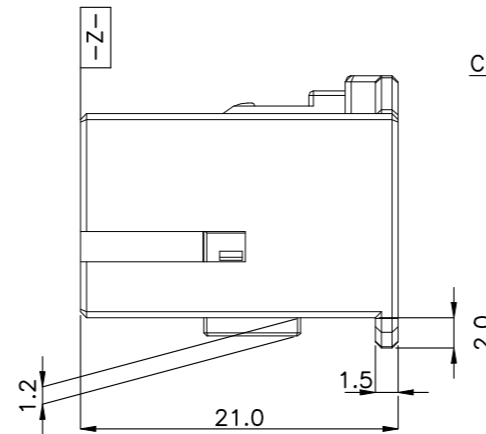
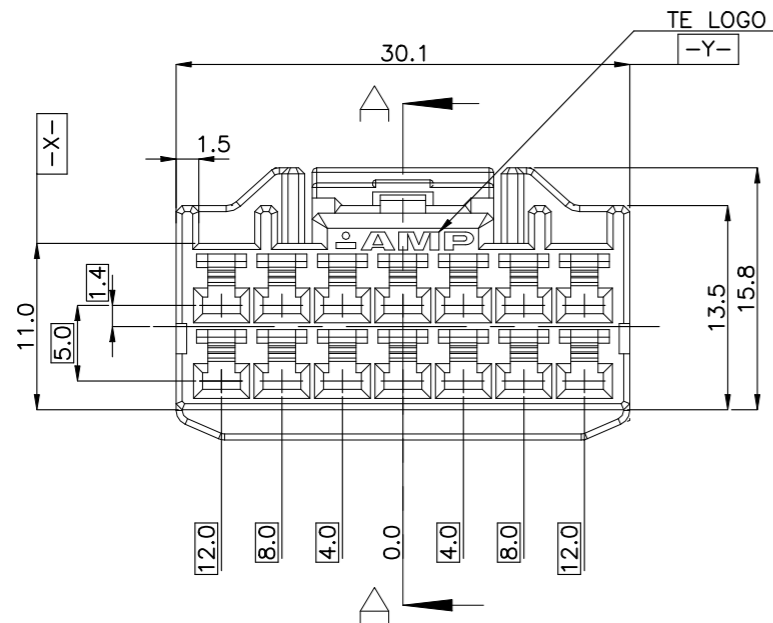
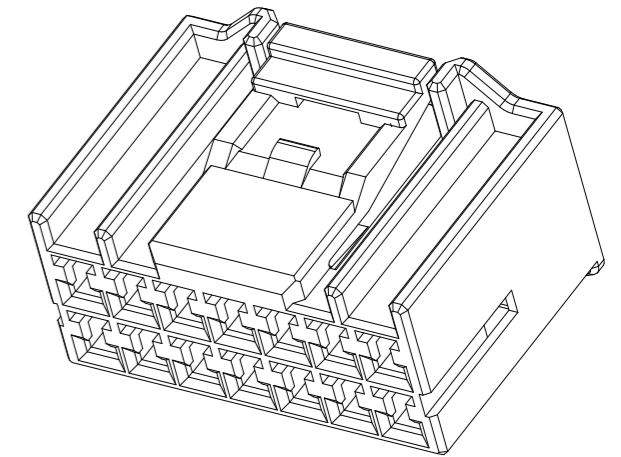


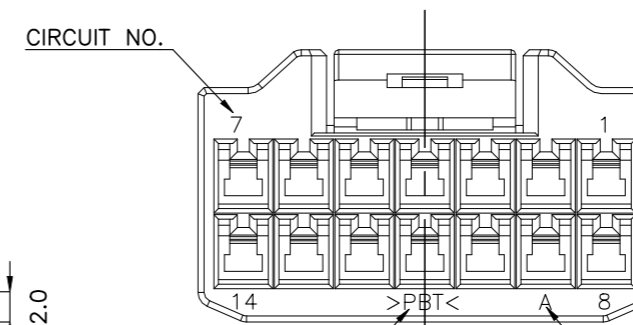
P	LTR	DESCRIPTION	DATE	DWN	APVD
C3		REVISED(ECR-22-135846)	13APR2022	HG	YJ



SECTION A-A



CIRCUIT NO.



MATERIAL MARK

CAVITY MARK

OBSOLETE

ASSY P/N	QTY
0-936199-8	1
0-936199-7	1
0-936199-6	1
0-936199-5	1
0-936199-4	1
0-936199-3	1
0-936199-2	1
0-936199-1	1

TOLERANCES UNLESS OTHERWISE SPECIFIED:

0 <XX<10	± 0.2
10<XX<30	± 0.25
30<XX	± 0.3
ANGLES	± 3°

NO	COLOR	MATERIAL	DESCRIPTION	P/N	QTY
1	BLUE	PBT	PLUG	0-936200-8	1
1	GREEN	PBT	PLUG	0-936200-7	1
1	RED	PBT	PLUG	0-936200-6	1
1	YELLOW	PBT	PLUG	0-936200-5	1
1	BROWN	PBT	PLUG	0-936200-4	1
1	D/GRAY	PBT	PLUG	0-936200-3	1
1	BLACK	PBT	PLUG	0-936200-2	1
1	NATURAL	PBT	PLUG	0-936200-1	1
2	NATURAL	PBT	DBL	0-936198-1	1 1 1 1 1 1 1 1

NOTES.

- THE MATING HSG. P/N ; 936209
- APPLIED CONTACT P/N ;
090 II REC.- 368083,368084,368085
090 III REC.- 1743654,1743655,1743656,1897753,1897598

-주기-

- 상대 하우징 P/N. ; 936209
- 적용단자 P/N. ; 090 II REC.- 368083,368084,368085
090 III REC.- 1743654,1743655,1743656,1897753,1897598

THIS DRAWING IS A CONTROLLED DOCUMENT.

DIMENSIONS:	TOLERANCES UNLESS OTHERWISE SPECIFIED:
mm	
	0 PLC ± -
	1 PLC ± -
	2 PLC ± -
	3 PLC ± -
	4 PLC ± -
	ANGLES ± -
MATERIAL	FINISH
SEE TABLE	-

DWN	KT JUNG			
CHK	JW JUNG			
APVD	HG CHO	NAME	090III 14P PLUG ASS'Y	
PRODUCT SPEC				
APPLICATION SPEC				
WEIGHT	0	SIZE	A3 00779	CAGE CODE
		DRAWING NO	C-936199	
CUSTOMER DRAWING		RESTRICTED TO	-	
SCALE	1:1	SHEET	1 OF 1	REV
				C3