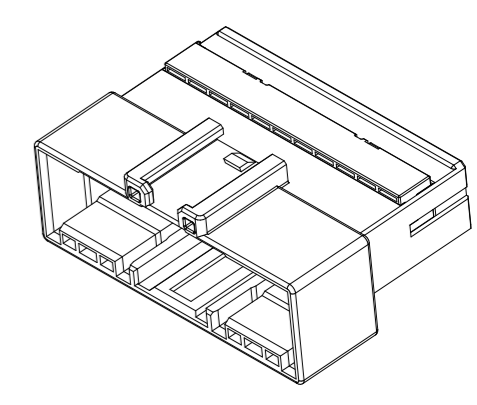
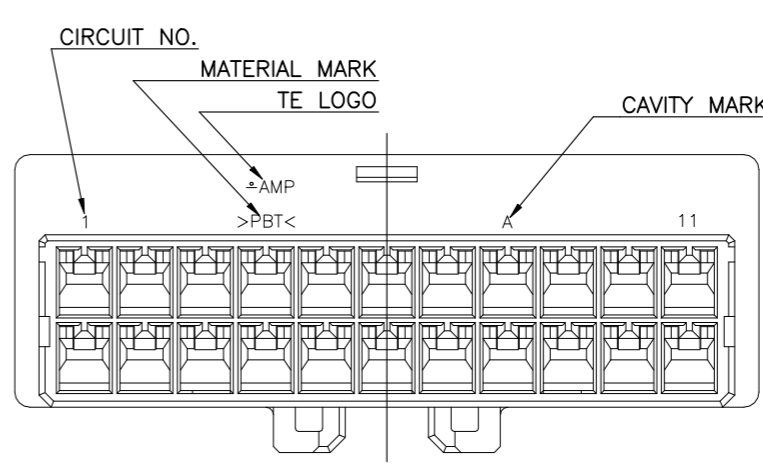
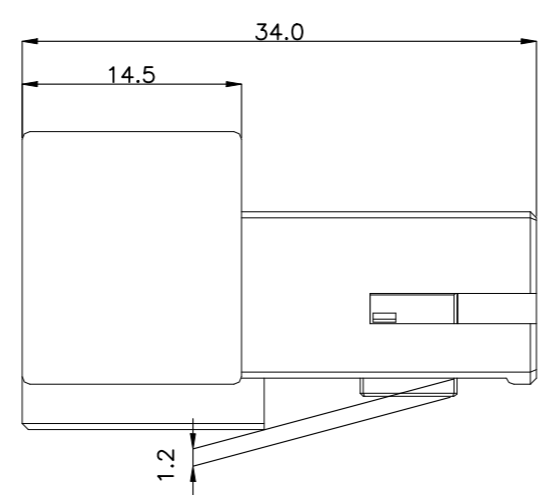
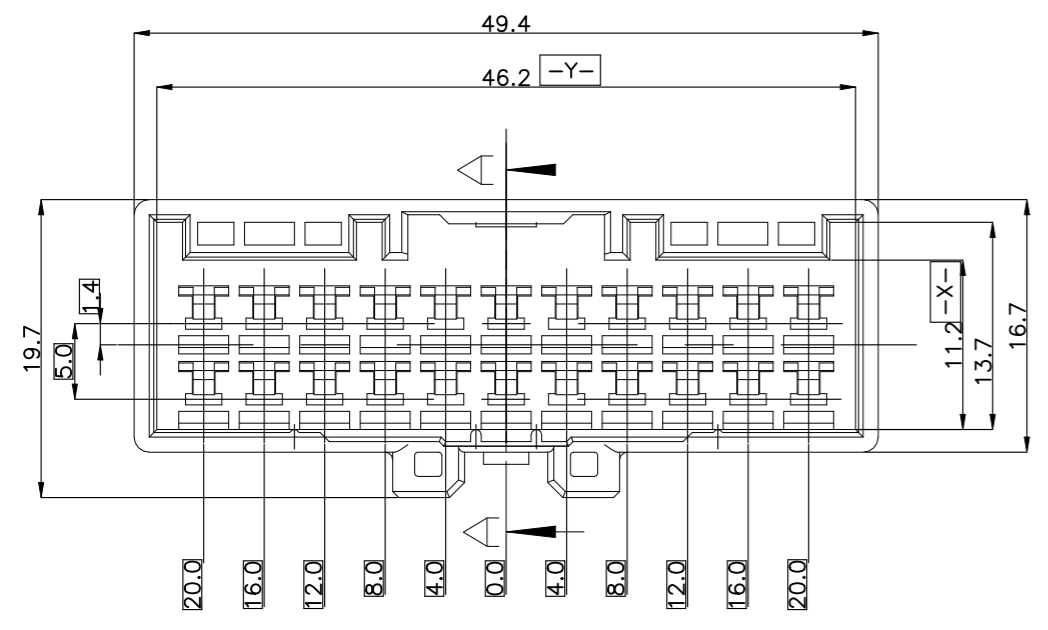
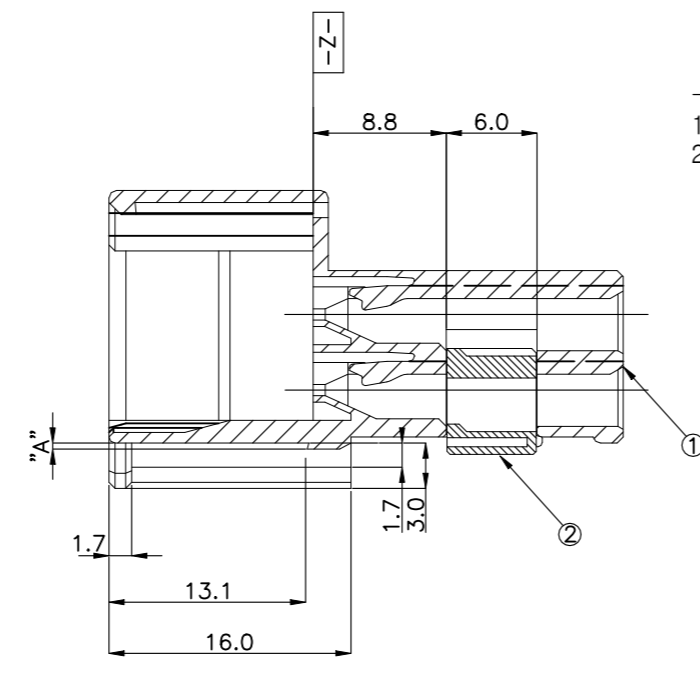
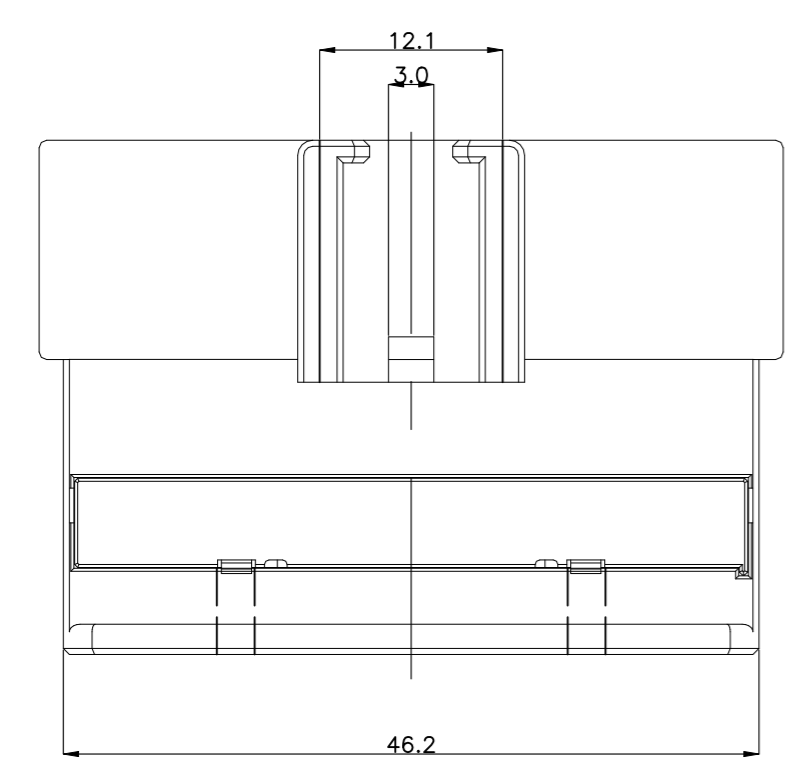


REVISIONS					
P	LTR	DESCRIPTION	DATE	DWN	APVD
	C3	REVISED PER ECR-23-XXXXXX	19MAY2023	RK	JT



- NOTES.
- THE MATING HSG. P/N ; 936151
  - APPLIED CONTACT P/N ; 090 II TAB.- 368086,368087,368088,1897752

- 주 기-
- 상대 하우징 P/N. ; 936151
  - 적용단자 P/N. ; 090 II TAB.- 368086,368087,368088,1897752



SECTION A-A

NO.	TYPE	DIMENSION
		'A'
1	TYPE A	0.4
2	TYPE B	0.7

TOLERANCES UNLESS OTHERWISE SPECIFIED:

0 <XX<10 ± 0.2  
 10<XX<30 ± 0.25  
 30<XX ± 0.3  
 ANGLES ± 3°

THIS DRAWING IS A CONTROLLED DOCUMENT.	
DIMENSIONS: mm	TOLERANCES UNLESS OTHERWISE SPECIFIED:
	0 PLC ± -
	1 PLC ± -
	2 PLC ± -
	3 PLC ± -
MATERIAL SEE TABLE	4 PLC ± -
	ANGLES ± -
	FINISH -

NO	COLOR	MATERIAL	DESCRIPTION	P/N	QTY
1	D/GRAY	PBT	CAP	1-936155-3	1
	BLUE	PBT	CAP	0-936155-8	1
	GREEN	PBT	CAP	1-936155-7	1
	RED	PBT	CAP	0-936155-6	1
	YELLOW	PBT	CAP	0-936155-5	1
	BROWN	PBT	CAP	0-936155-4	1
	L/GRAY	PBT	CAP	0-936155-3	1
	BLACK	PBT	CAP	0-936155-2	1
	NATURAL	PBT	CAP	0-936155-1	1
2	NATURAL	PBT	DBL	0-936153-1	1 1 1 1 1 1

DWN SJ CHOI		TE Connectivity	
CHK JW JUNG			
APVD HG CHO		NAME	
PRODUCT SPEC		090III 22P CAP ASS'Y	
APPLICATION SPEC		-	
SIZE	CAGE CODE	DRAWING NO	RESTRICTED TO
-	A300779	C-936154	-
WEIGHT		SCALE	SHEET
-		1:1	1 OF 1
CUSTOMER DRAWING		REV	C3