

THIS DRAWING IS UNPUBLISHED.

RELEASED FOR PUBLICATION

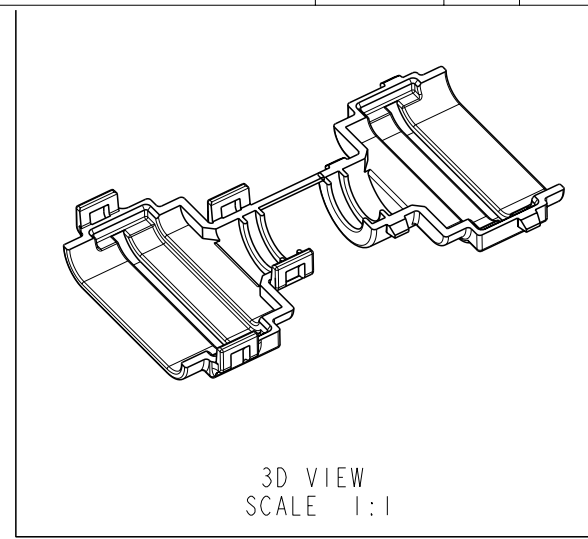
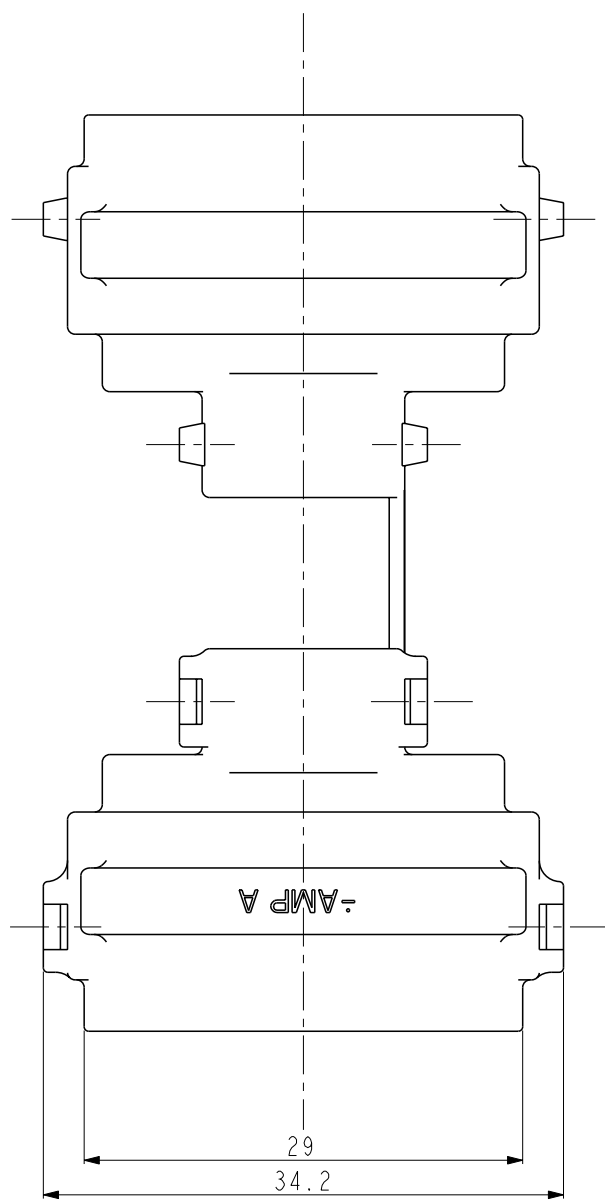
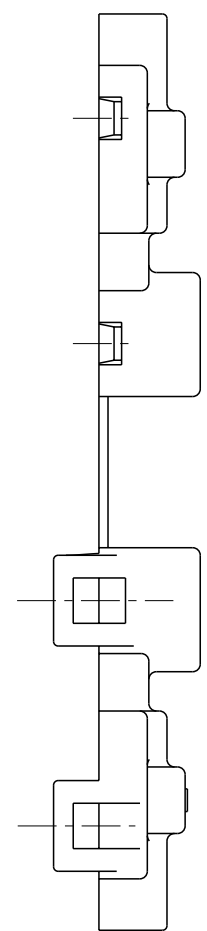
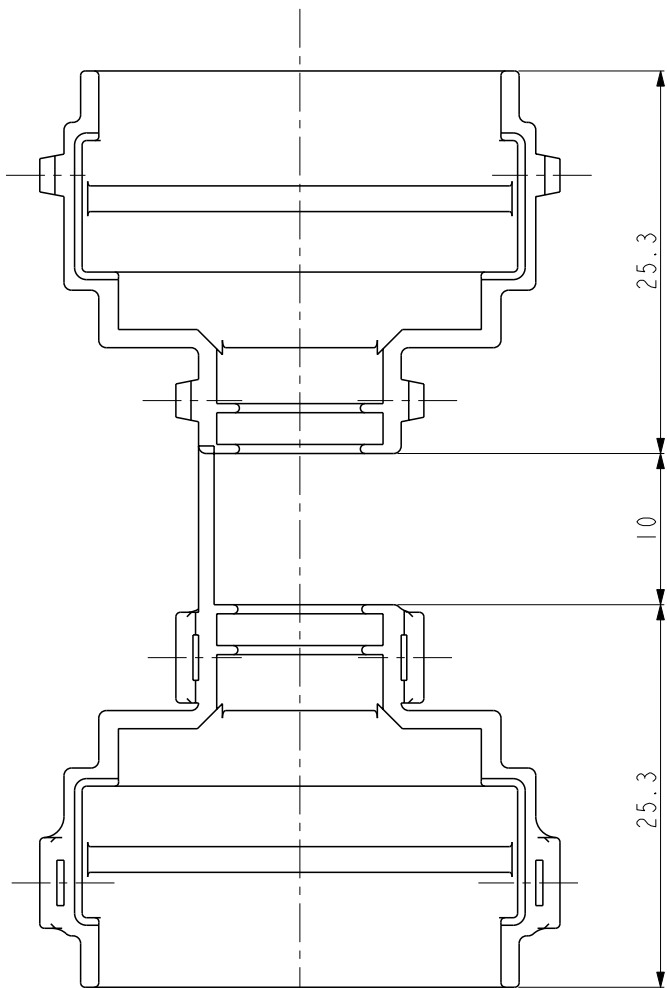
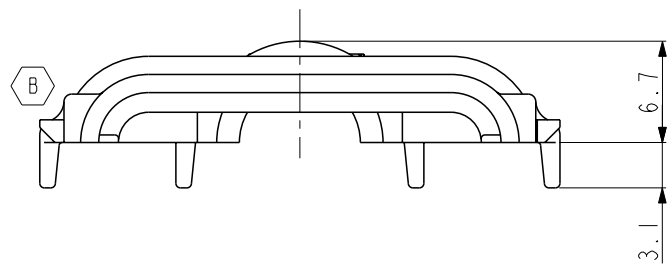
2016

© COPYRIGHT 2001 BY TE CONNECTIVITY

ALL RIGHTS RESERVED.

REVISIONS

P	LTR	DESCRIPTION	DATE	DWN	APVD
	0	RELEASED	11.OCT.'01	HS	CS
	A	REVISED (ECR-16-002539)	25.FEB.'16	JM	JW
	B	REVISED (ECR-18-004863)	28.NOV.'18	JS	YJ



- NOTE
1. APPLICABLE CORRUGATOR DIMETER : $\varnothing 7.0$
 2. APPLICABLE PLUG HSG P/N : 936062-1
 3. GENERAL TOLERANCES $\pm 0.3, \pm 3^\circ$

BLACK	PA66	0-936113-1
COLOR	MATERIAL	P/N

THIS DRAWING IS A CONTROLLED DOCUMENT.		DWN HS BAE		
DIMENSIONS: mm		CHK BM JANG		
		APVD CS LFF	NAME COVER HSG FOR 2.8mm SEALED 5P PLUG CONN'R	
TOLERANCES UNLESS OTHERWISE SPECIFIED:		PRODUCT SPEC	SIZE A3	
0 PLC \pm		APPLICATION SPEC	CAGE CODE 00779	DRAWING NO G-936113
1 PLC \pm		WEIGHT	RESTRICTED TO	
2 PLC \pm			-	
3 PLC \pm			SCALE 2:1	
4 PLC \pm			SHEET 1 OF 1	
ANGLES \pm			REV B	
FINISH				
SEE TABLE		CUSTOMER DRAWING		