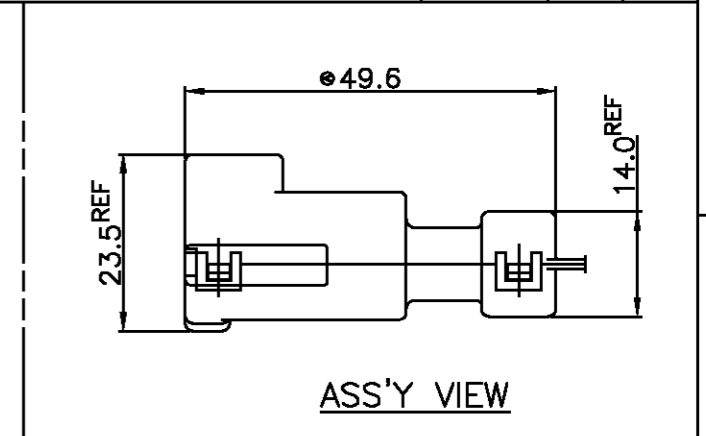
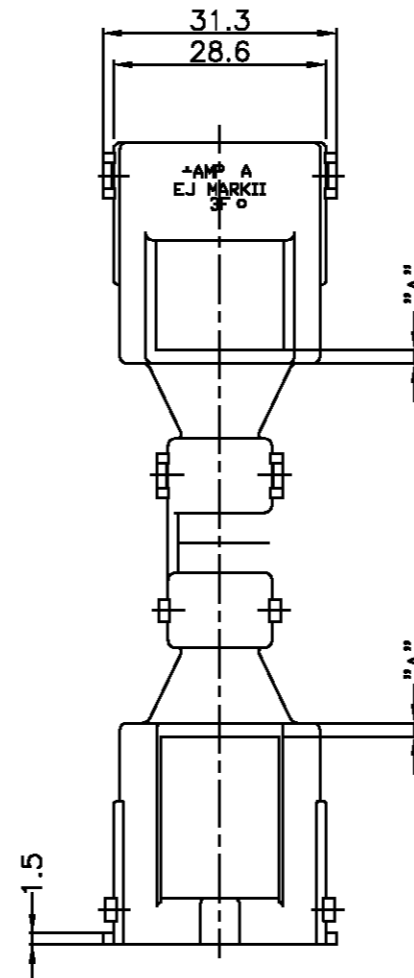
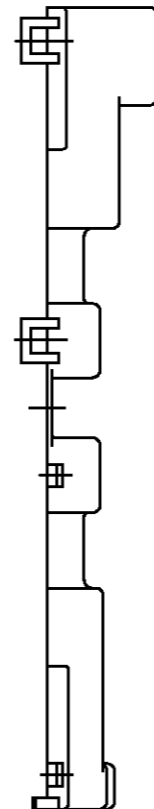
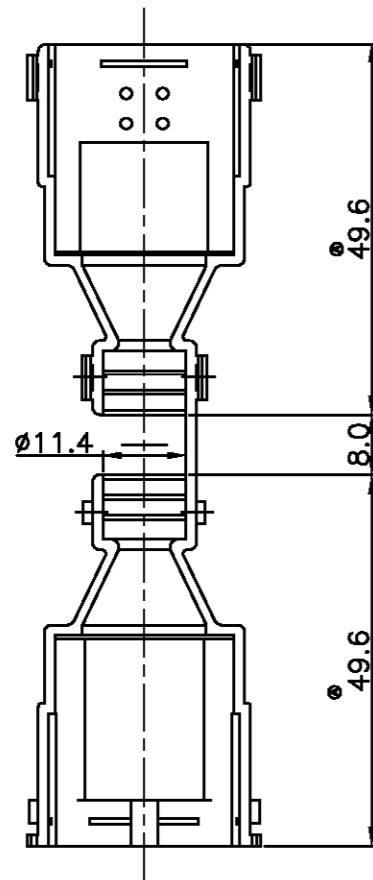
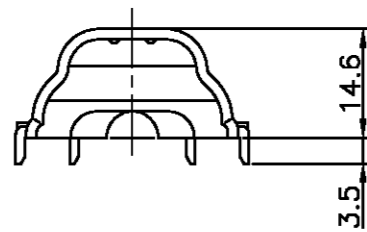


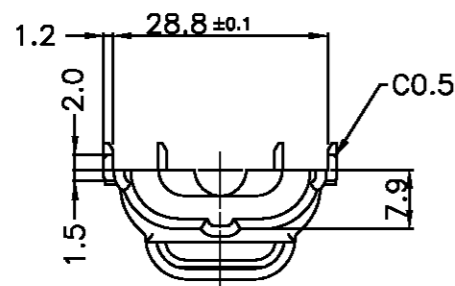
P	LTR	DESCRIPTION	DATE	DWN	APVD
	O	RELEASED(FC00-0085-01)	23/JUL/01	MS	CS
	A	REVISED(FC00-0013-02)	23/JAN/02	MS	CS



NOTE

1. WARP IS 0.5 MAX. AND FLASH IS 0.3 MAX.
2. APPLICABLE CORRUGATOR DIAMETER :  $\phi 7.0$
3. APPLICABLE PLUG HSG P/N : 368523-1

1-936053-1	"A" : 1.8	NYLON 66	BLACK
0-936053-1	"A" : 1.4	NYLON 66	BLACK
PART NUMBER	DIM'S : "A"	MATERIAL	COLOR

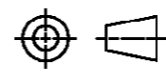


IT IS SUBJECT TO CHANGE AND THE CONTROLLING ENGINEERING ORGANIZATION SHOULD BE CONTACTED FOR THE LATEST REVISION.

DIMENSIONS: MM

TOLERANCES UNLESS OTHERWISE SPECIFIED:

- 0 <XX<10 ± 0.2
- 10 <XX<30 ± 0.25
- 30 <XX ± 0.3
- ANGLES ± 3°

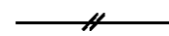


3rd ANGLE PROJECTION

MATERIAL

SEE TABLE

FINISH



DWN : MS HER

CHK : BM JANG

APVD : CS LEE

PRODUCT SPEC

APPLICATION SPEC

WEIGHT



AMP KOREA, kyungsan, korea

NAME

COVER HSG FOR EJ 3P PLUG CONN'R

SIZE

CAGE CODE

DRAWING NO

A3

00779

©-936053

SCALE 1/1

SHEET 1 OF 1

REV A