

THIS DRAWING IS UNPUBLISHED.

RELEASED FOR PUBLICATION

,1997

© COPYRIGHT 1997

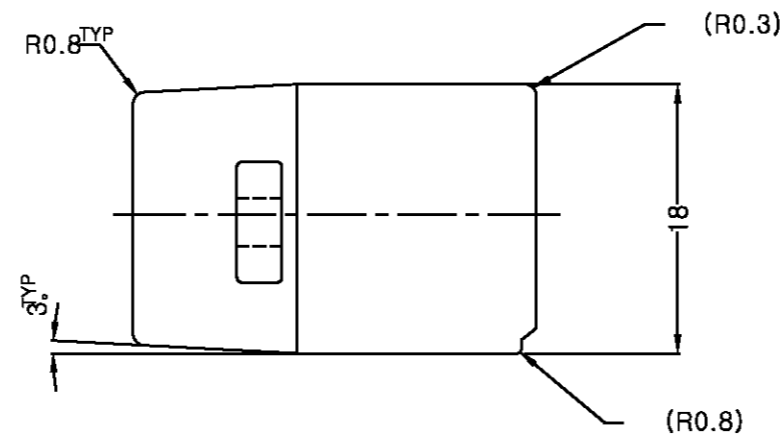
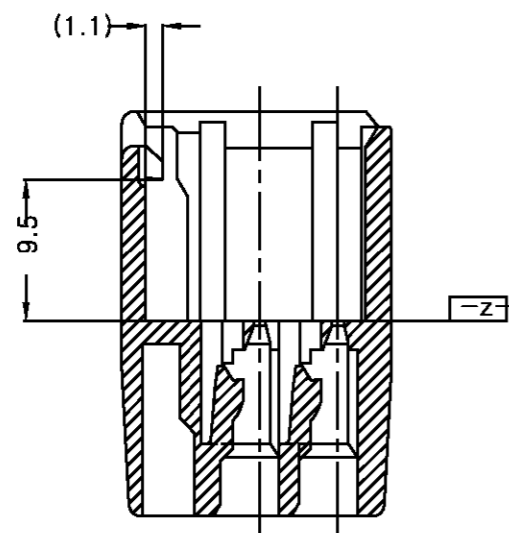
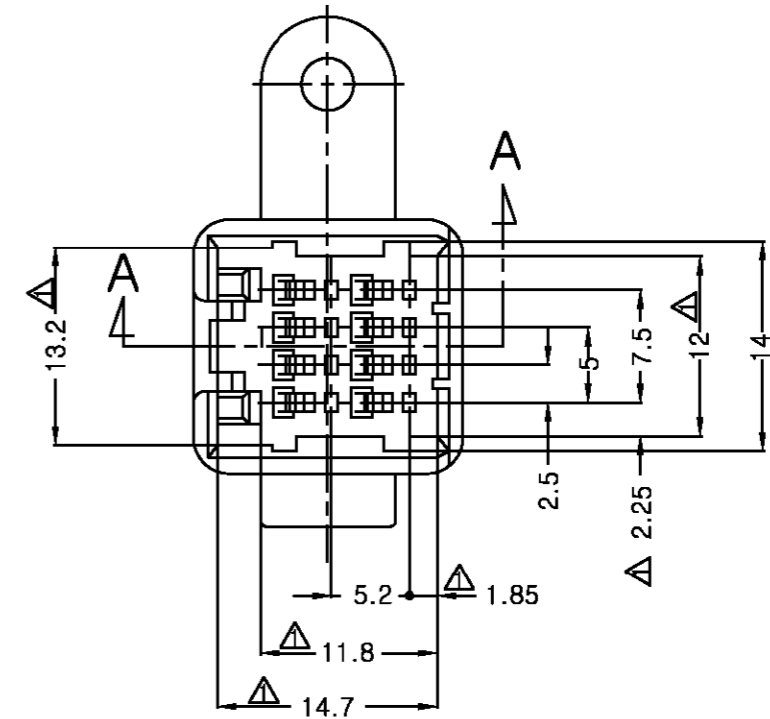
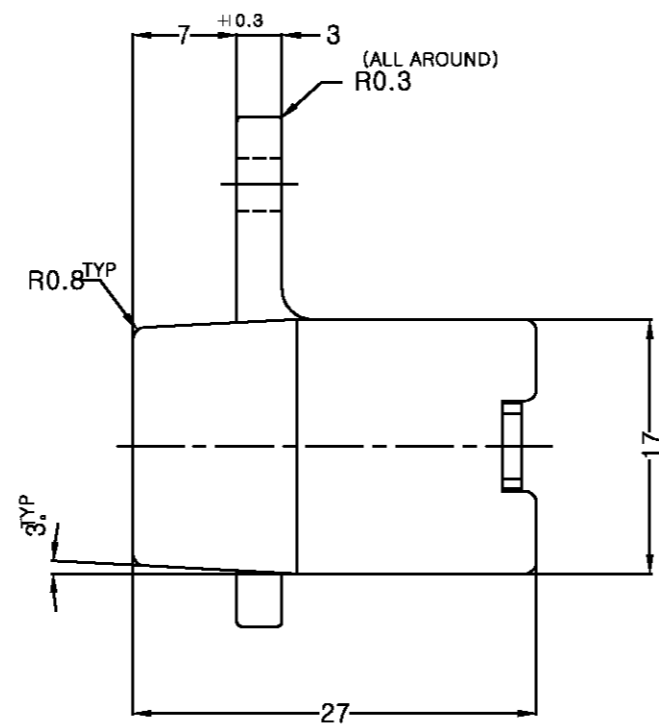
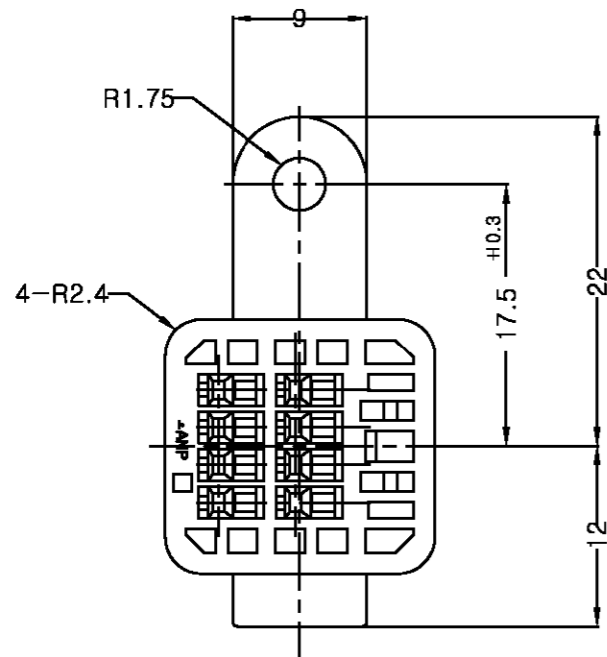
BY AMP INCORPORATED. ALL RIGHTS RESERVED.

LOC DS

DIST

REVISIONS

P	LTR	DESCRIPTION	DATE	DWN	APVD
	□	RELEASE ECN(FC00-0023-01)	07.MAR.01	JW	CS



NOTE.
 1. TO BE MEASURE WITHIN 2mm FROM $\square-Z$
 2. THE MATING PLUG HOUSING PART NUMBER:174044
 3. APPLICABLE CONTACT PART NUMBER:173682

0-936051-1	GRAY
PART NO.	COLOR

THIS DRAWING IS CONTROLLED DOCUMENT FOR AMP INCORPORATED. IT IS SUBJECT TO CHANGE AND THE CONTROLLING ENGINEERING ORGANIZATION SHOULD BE CONTACTED FOR THE LATEST REVISION.		DWN JW JUNG	AMP AMP KOREA. kyungsan, korea		
DIMENSIONS: MM		CHK BM JANG			
TOLERANCES UNLESS OTHERWISE SPECIFIED: 0 <XX<10 ± 0.2 10<XX<30 ± 0.25 30<XX ± 0.3 ANGLES ± 3°		APVD CS LEE	NAME 8 POS. CAP HOUSING .040 SERIES MULTI-LOCK CONNECTOR		
3rd ANGLE PROJECTION		PRODUCT SPEC ---	SIZE A3	CAGE CODE 00779	DRAWING NO. C= 936051
MATERIAL SEE TABLE		FINISH	APPLICATION SPEC ---	WEIGHT ---	SCALE 2:1 SHEET 1 OF 1 REV 0