

4

3

2

1

THIS DRAWING IS UNPUBLISHED.

RELEASED FOR PUBLICATION

,1999 .

© COPYRIGHT 1999

BY AMP KOREA.

ALL RIGHTS RESERVED.

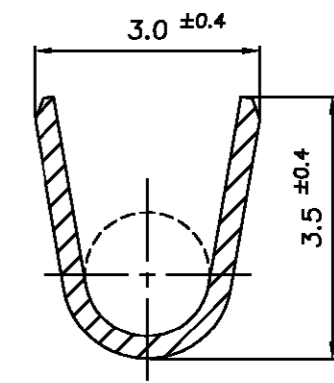
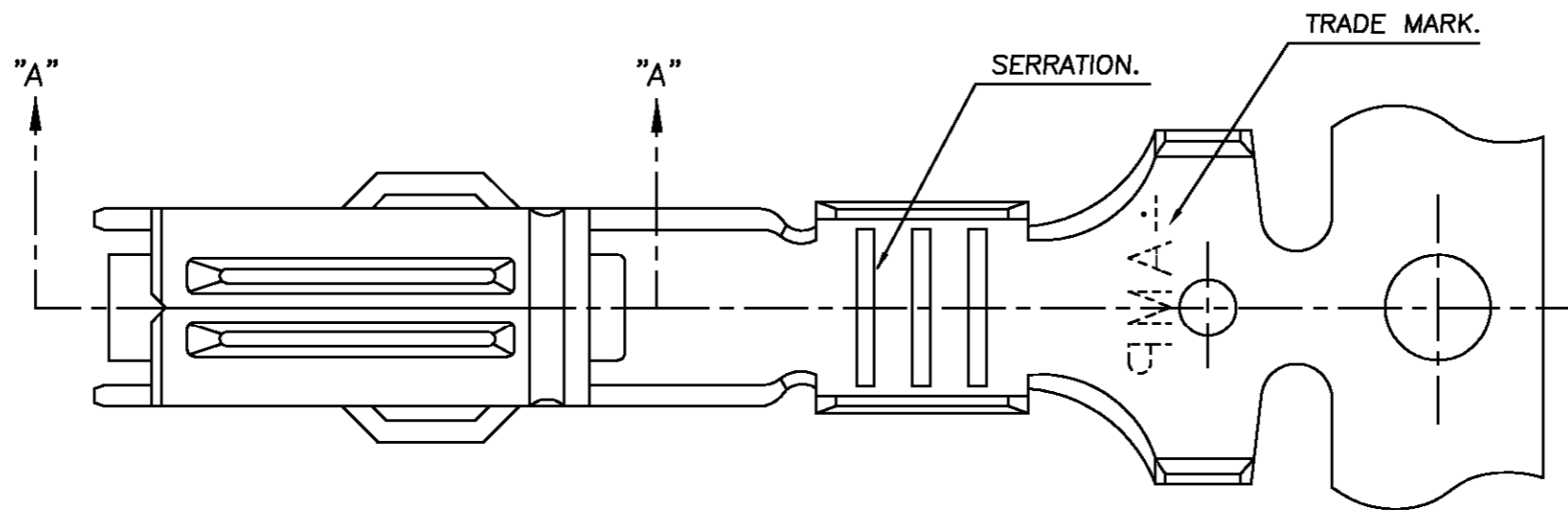
LOC DS

DIST

REVISIONS

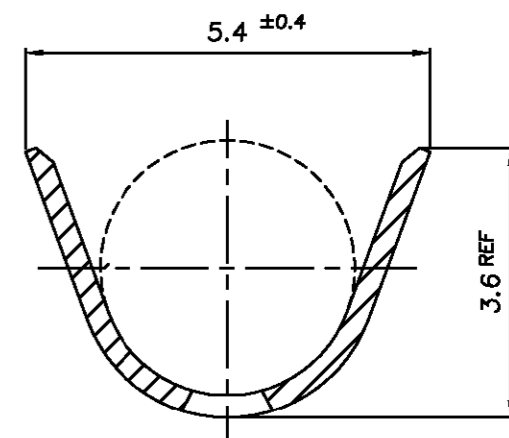
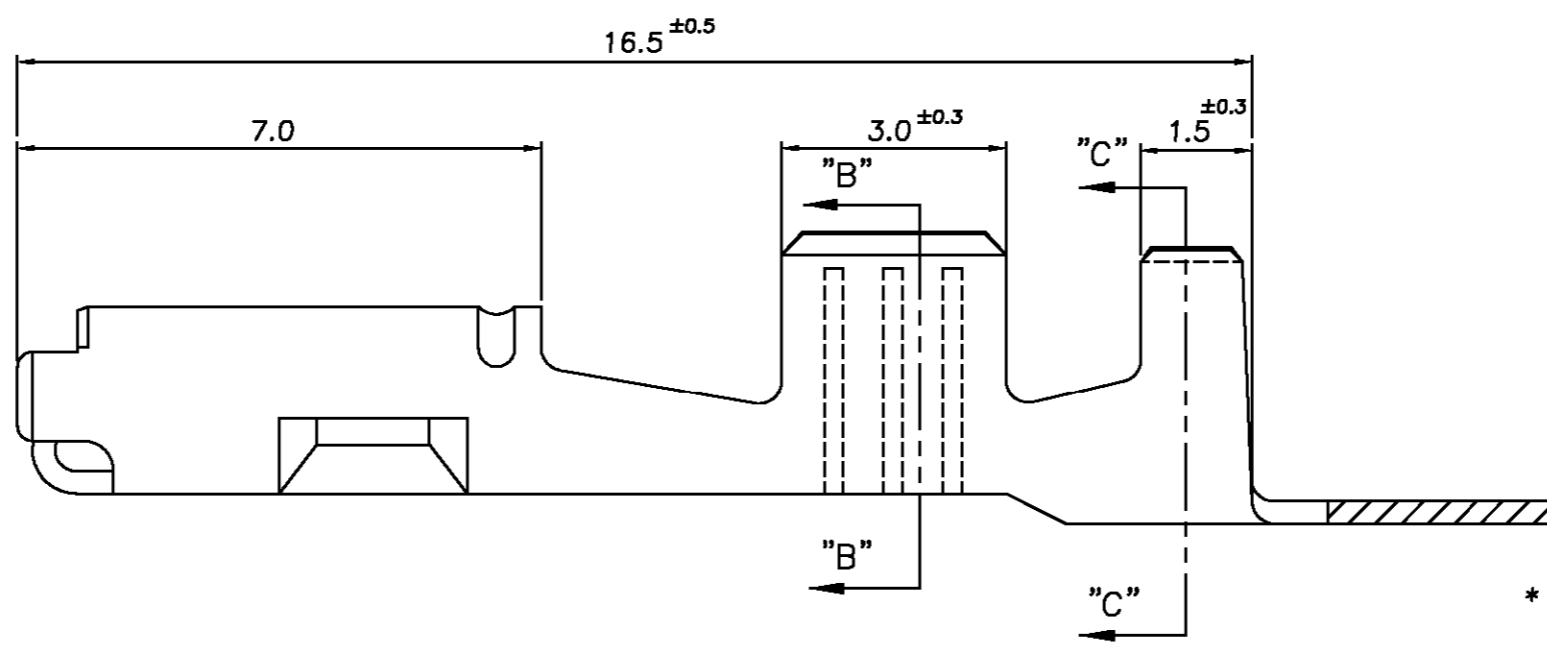
P	LTR	DESCRIPTION	DATE	DWN	APVD
O		RELEASED (PER FC00-0099-98)	19/NOV/98	YM	CS
A		REVISED (PER FC00-0065-99)	24/MAY/99	YM	CS

D



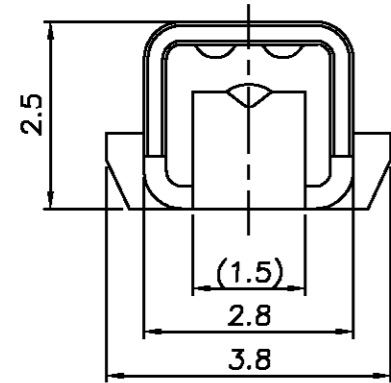
SECTION "B-B"

C



SECTION "C-C"

B

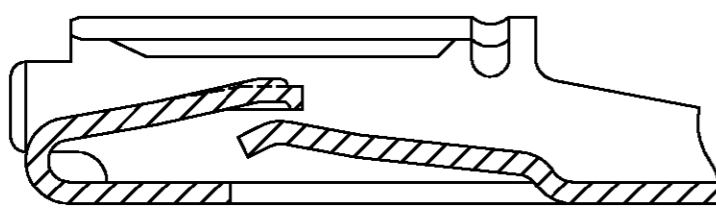


SECTION "A-A"

* NOTES;

- 1 TAB CONTACT P/N 171661.
- 2 CUSTOMER MANUAL. CM-325J
- 3 WIRE SIZE EQUIV AVS 0.5~1.25 sqmm.
- ④ 4 INSULATION DIA RANGE 2.0 ~2.6mm

A



THIS DRAWING IS CONTROLLED DOCUMENT FOR AMP KOREA. IT IS SUBJECT TO CHANGE AND THE CONTROLLING ENGINEERING ORGANIZATION SHOULD BE CONTACTED FOR THE LATEST REVISION.		DWN YM CHOI 24.MAY'99	AMP AMP KOREA. kyungsan, korea		
DIMENSIONS: MM		CHK JK SONG 24.MAY'99			
TOLERANCES UNLESS OTHERWISE SPECIFIED: 0 <XX<10 ± 0.2 10 ≤ XX <30 ± 0.25 ANGLES ± 3°		APVD CS LEE 24.MAY'99	NAME .070 TYPE EJ MK-II+ RECEPTACLE.		
MATERIAL COPPER ALLOY 0.3THK.		FINISH PRE-TINNED	PRODUCT SPEC ④ 108-61022	SIZE A3	CAGE CODE 00779
		WEIGHT NET; 0.35gf	APPLICATION SPEC ④ 114-61000, 61012	DRAWING NO C- 9 3 6 0 2 0	SCALE 10/1 SHEET 1 OF 1 REV A