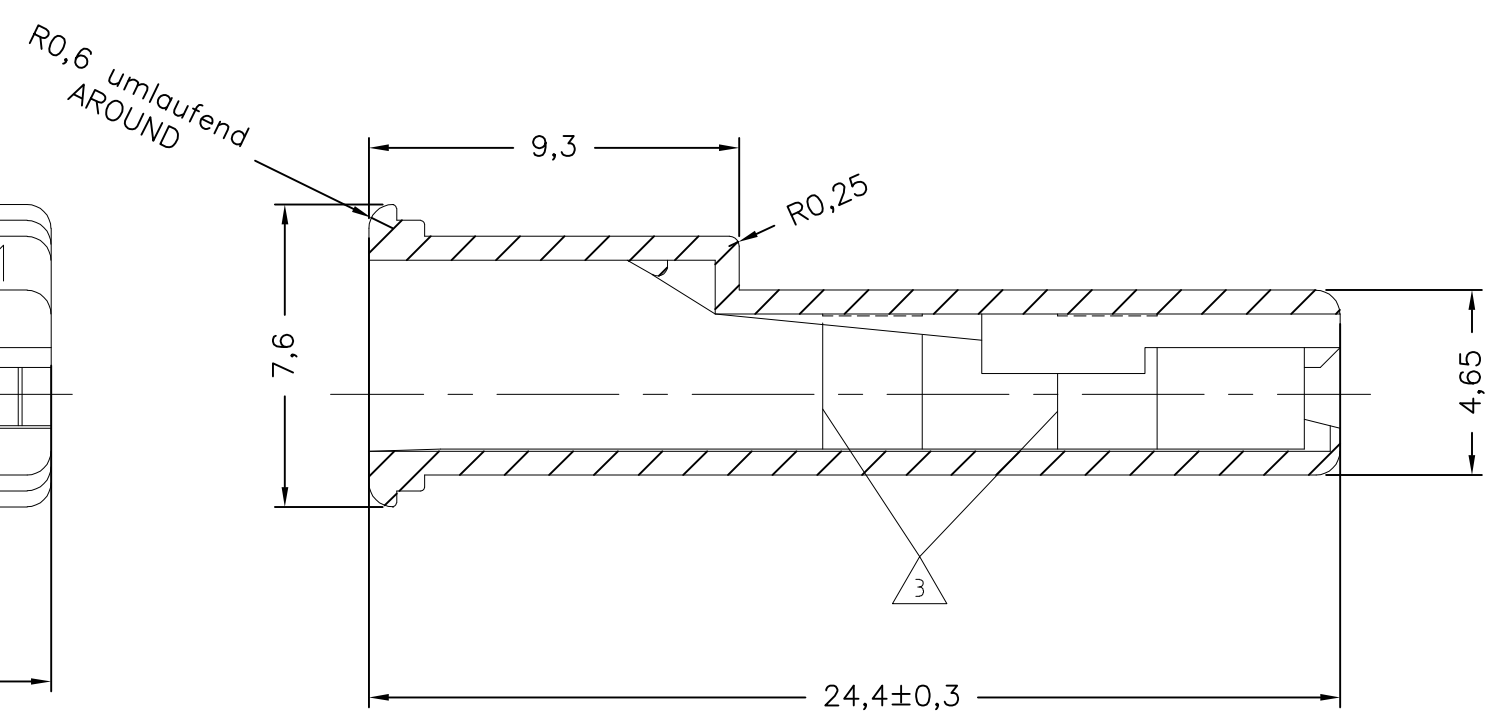
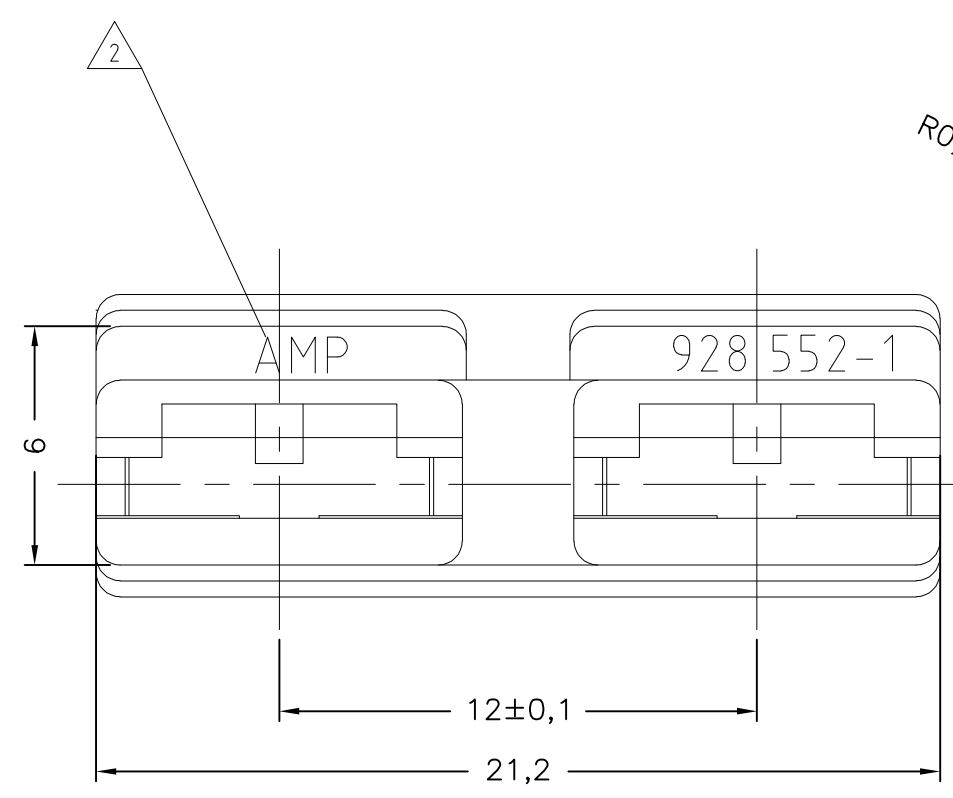


THIS DRAWING IS UNPUBLISHED. RELEASED FOR PUBLICATION, 2014.
 © COPYRIGHT 2014 By TE CONNECTIVITY ALL RIGHTS RESERVED.

LOC	DIST	REVISIONS			
P	LTR	DESCRIPTION	DATE	DWN	APVD
—	—	3	NEW DRAWING	28MAY2014	VNB CE

- NOTES:
- 1 ALL RADII R0.4 EXCEPT AS NOTED
Nicht bemaßte Radien R0.4
 - 2 AMP-LOGO
AMP-Logo
 - 3 OPTIONAL
Wahlweise



928552-1	3	NATURAL	1
PART NO	REV	COLOUR	ITEM NO

THIS DRAWING IS A CONTROLLED DOCUMENT.		DWN	Vijeth NB	28MAY2014	STE TE Connectivity											
DIMENSIONS: mm		CHK	Gurumurthy C R	28MAY2014												
TOLERANCES UNLESS OTHERWISE SPECIFIED: 0.2		APVD	Ch. Eberwein	28MAY2014												
<table border="1"> <tr><td>0 PLC</td><td>±</td></tr> <tr><td>1 PLC</td><td>±</td></tr> <tr><td>2 PLC</td><td>±</td></tr> <tr><td>3 PLC</td><td>±</td></tr> <tr><td>4 PLC</td><td>±</td></tr> <tr><td>ANGLES</td><td>± 1°</td></tr> </table>		0 PLC	±	1 PLC		±	2 PLC	±	3 PLC	±	4 PLC	±	ANGLES	± 1°	NAME	
0 PLC	±															
1 PLC	±															
2 PLC	±															
3 PLC	±															
4 PLC	±															
ANGLES	± 1°															
MATERIAL: PA 66		FINISH: -		PRODUCT SPEC: -	APPLICATION SPEC: -	SIZE: A3	CAGE CODE: 00779	DRAWING NO: C-928552	RESTRICTED TO: -							
CUSTOMER DRAWING						SCALE: 5:1	SHEET: 1 OF 1	REV: 3								