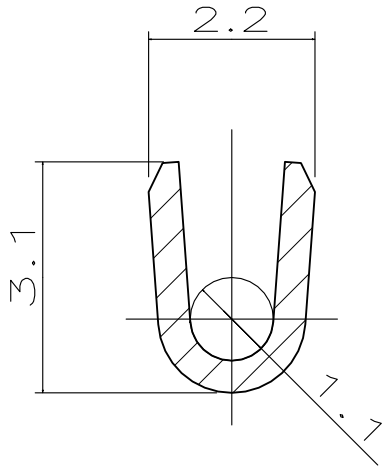
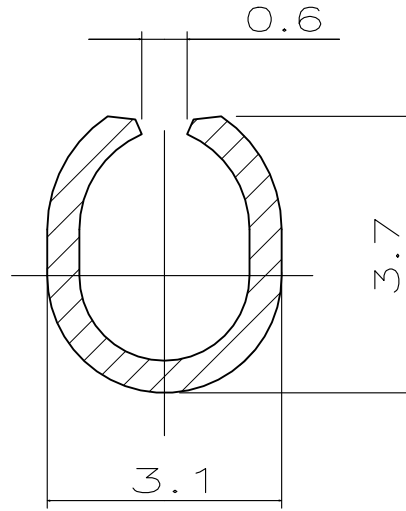


REVISIONS				
P	LTR	DESCRIPTION	DATE	APVD
G1		REVISED PER ECR-24-199978	13FEB2024	RE



SECTION B-B



SECTION A-A

NOTE

1.Missing dimensions see PN:927852

© 114-18022 TE Connectivity. All Rights Reserved.



	SILVER PLATED	CuZn 30	927853-9	G
	SILVER PLATED	CuSn 4	927853-8	G
	PRE-TINNED	CuSn 4	927853-7	G
	PRE-TINNED	CuZn 30	927853-6	G
	TIN PLATED	CuSn 4	927853-4	G
OBSOLETE	TIN PLATED	CuZn 30	<del>927853-3</del>	G
OBSOLETE	PLAIN	CuSn 4	<del>927853-2</del>	G
	PLAIN	CuZn 30	927853-1	G
	FINISH	MATERIAL	LP NO	REV

DIMENSIONS: mm	DWN Gayatri k	23JAN2024	MATERIAL SEE TABLE	FINISH SEE TABLE		
	CHK Raghu E	-	TE Connectivity Ltd.			
TOLERANCES UNLESS OTHERWISE SPECIFIED: ±0.25	APVD Raghu E	-			NAME POSITIVE LOCK RECEPTACLE (LOOSE PIECE)	
	0 PLC ± -	PRODUCT SPEC -	SIZE A4	CAGE CODE 00779		
1 PLC ± -	APPLICATION SPEC 114-18022	WEIGHT -	SCALE 1:1		SHEET 1 OF 1	REV G1
2 PLC ± -	CUSTOMER DRAWING					
3 PLC ± -						
4 PLC ± -						
ANGLES ± -						

