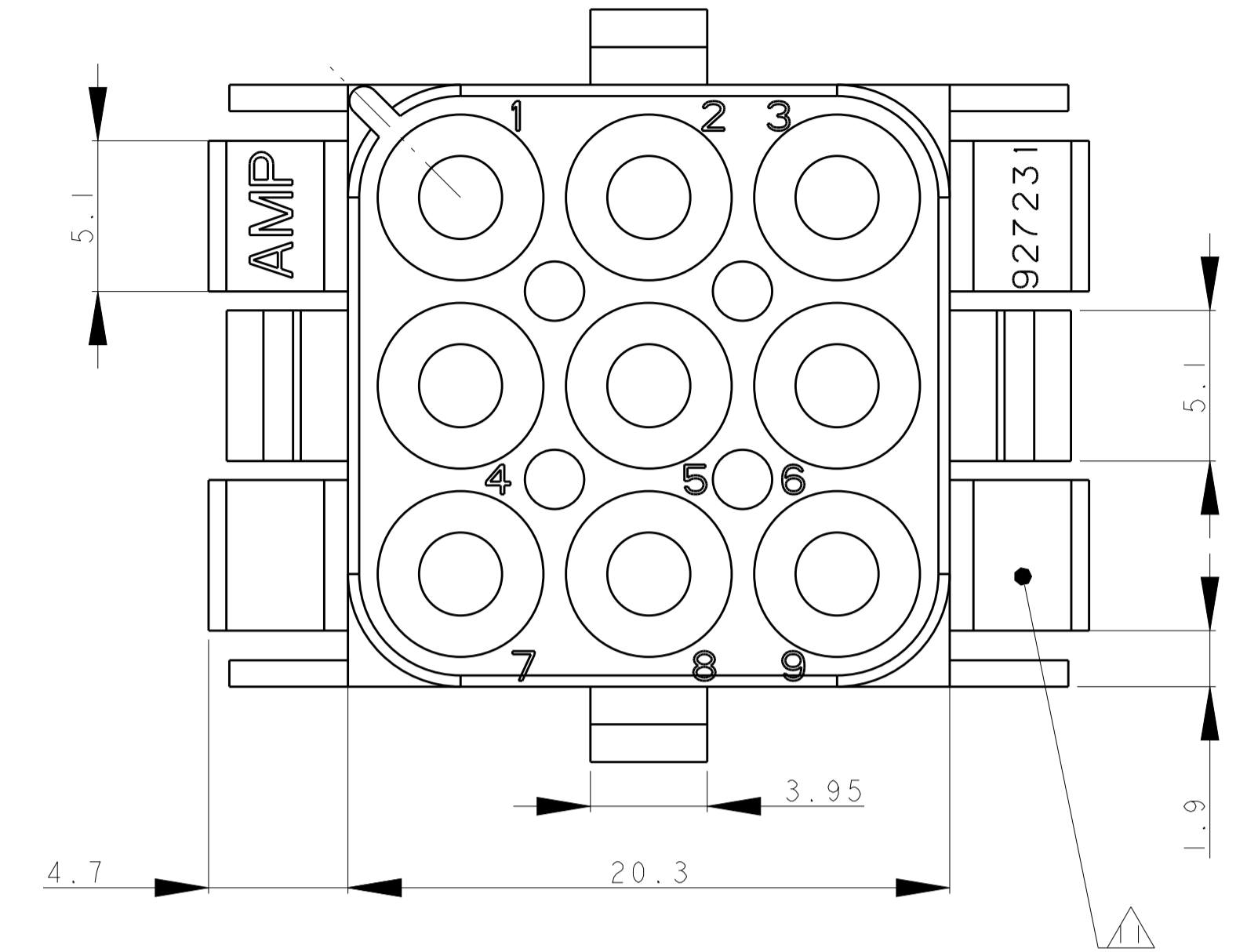
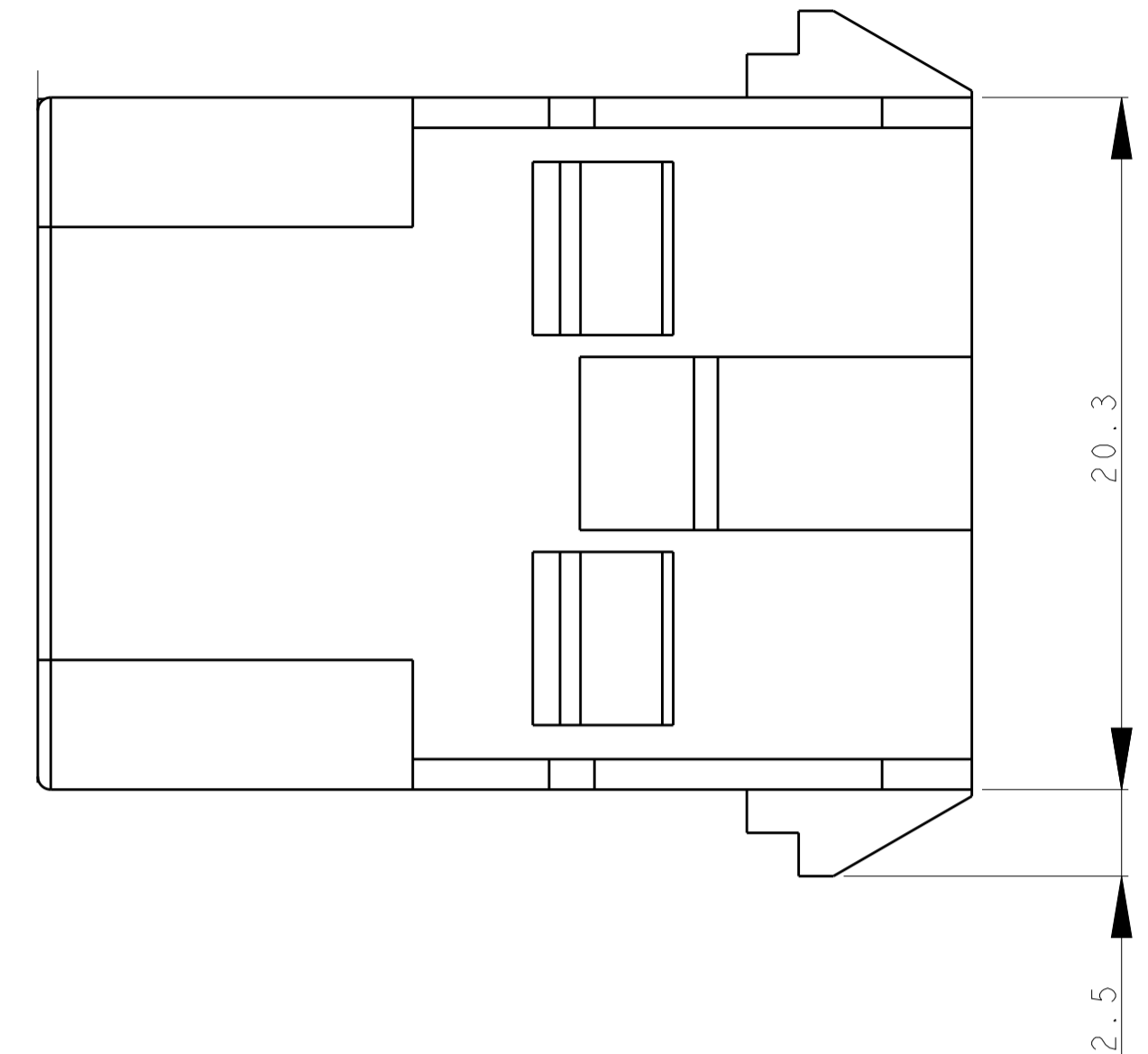
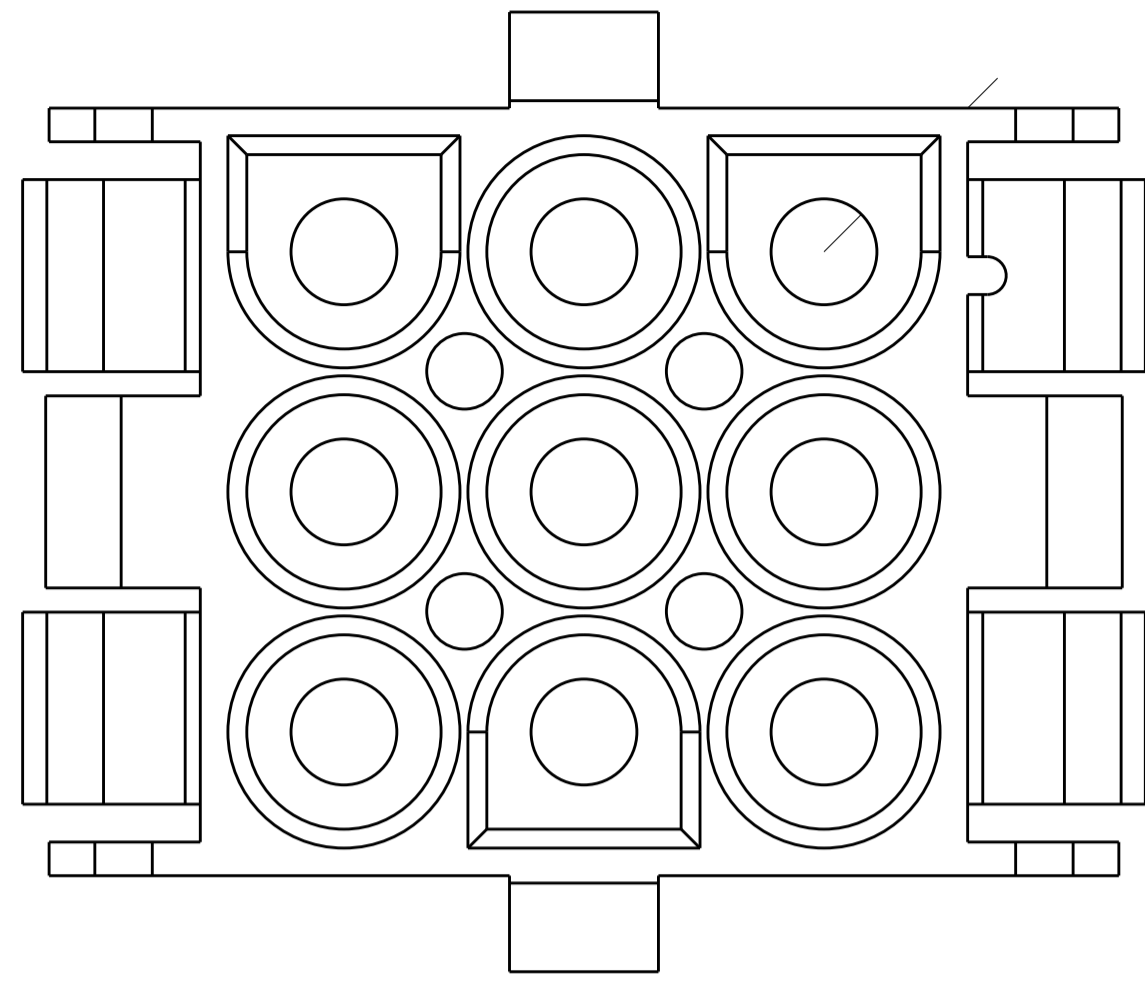
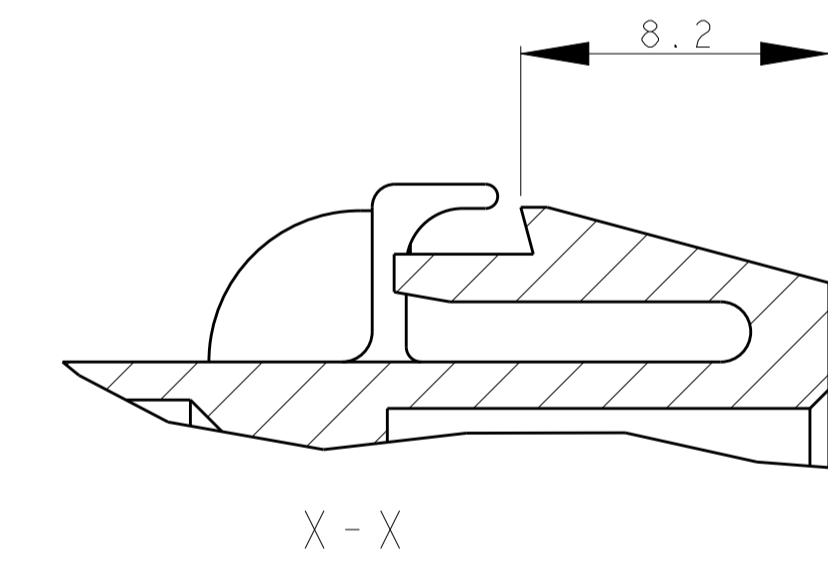
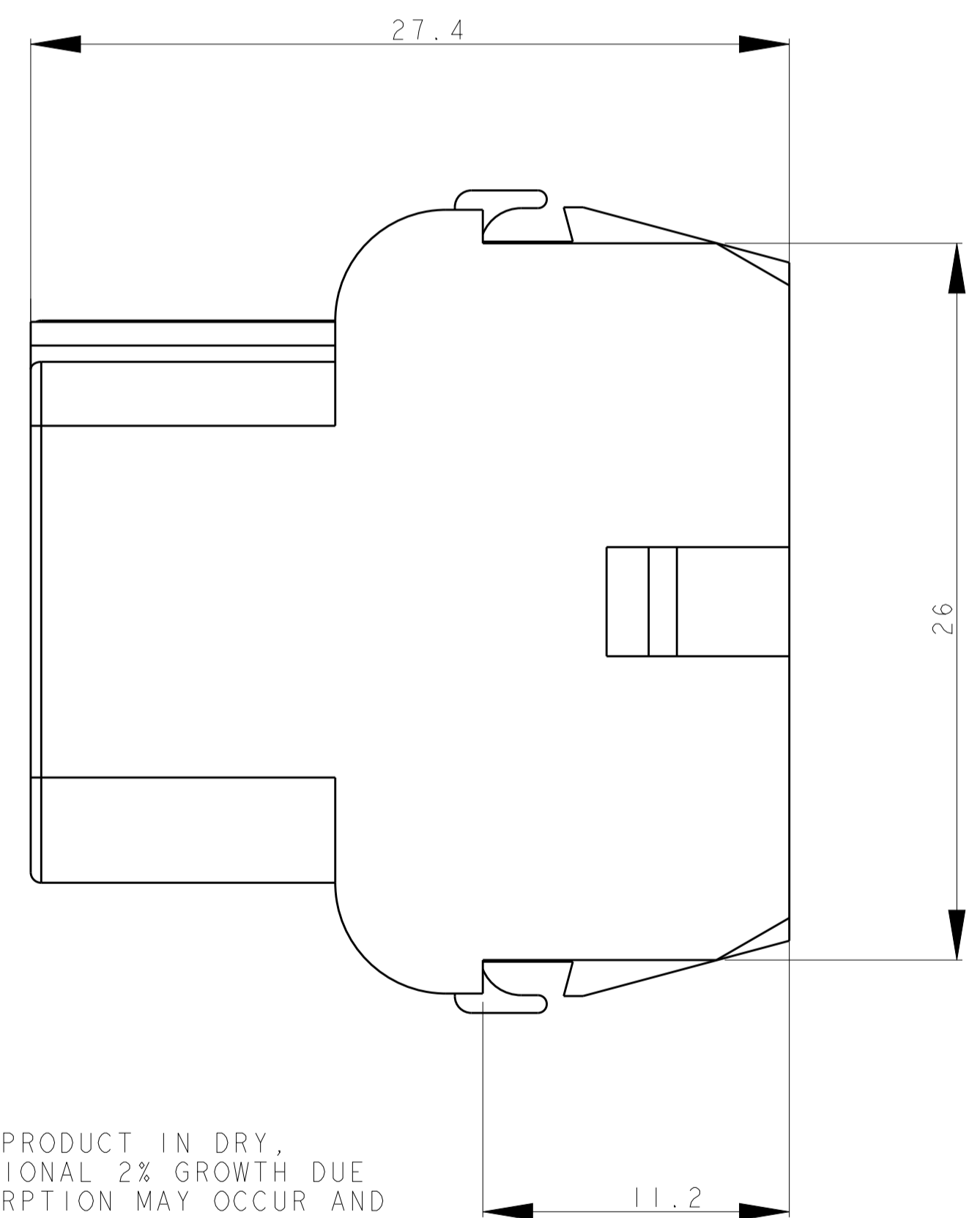
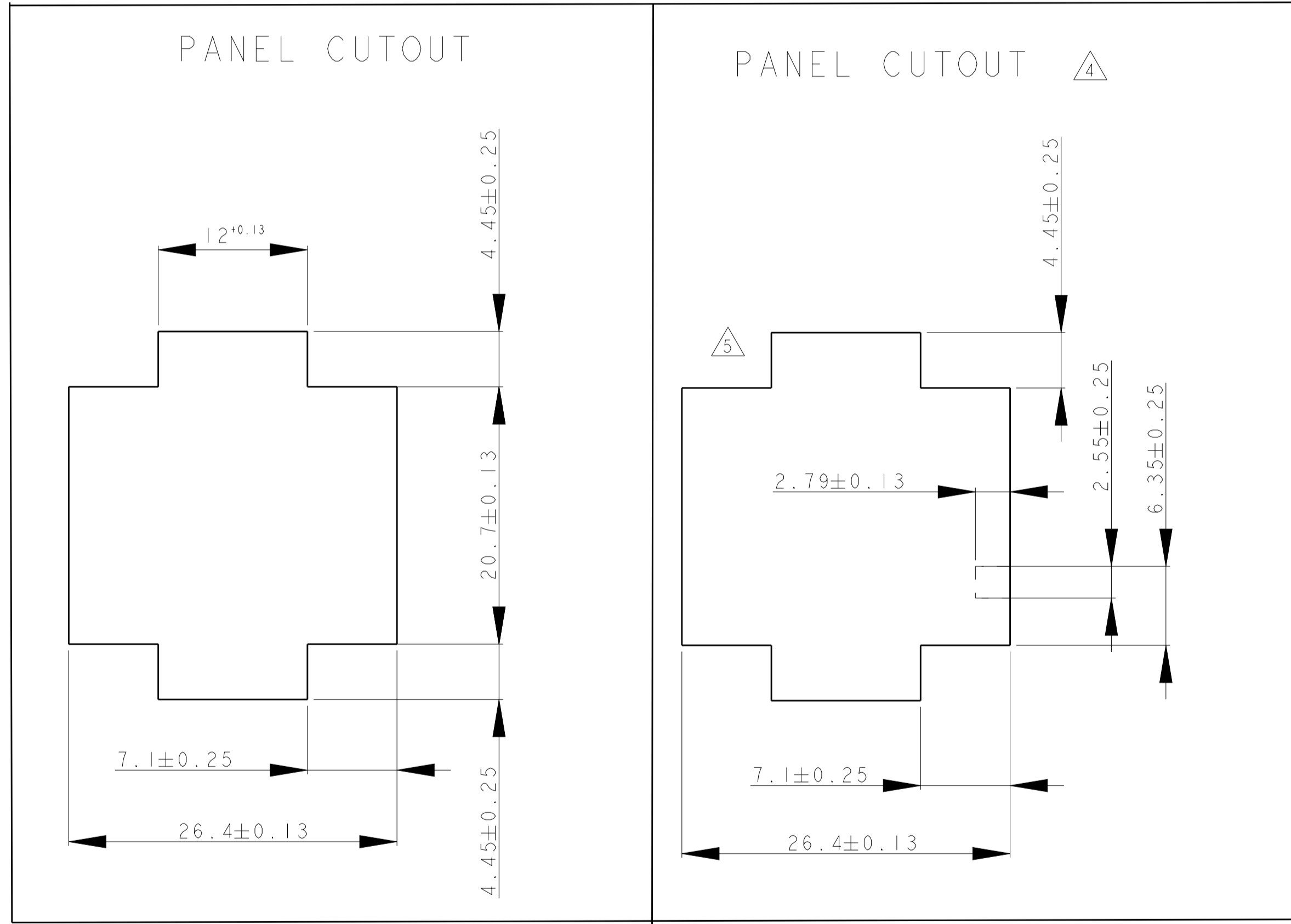


REVISIONS				
P.	LTN	DESCRIPTION	DATE	OWN APVD
	F8	REVISED PER ECR-17-014951	16OCT2017	BDA KR



PANEL CUTOUT USE FOR PUNCH CUT



- 1 SUITABLE FOR PIN AND FEMALE CONTACTS
- 2 RECOMMENDED SHEET METAL THICKNESS 0,75-2,3mm.
- 3 HOUSING MUST BE INTRODUCED IN PUNCHING DIRECTION.
- 4 FOR CODED USING OF THE HOUSINGS
- 5 POSITION OF CAVITY I FOR CODED USING
- 6 NEW MATERIAL (PHOSPOR AND HALOGENEUS FREE).
- 7 GWT 750°C(WITHOUT FLAME) ACCORDING IEC 60335-1 EDITION 06/2001
- 8 MATERIAL WITH GWFI 850°C
- 9 PRELIMINARY PRAT NOT RELEASED FOR PRODUCTION
- 10 ADD PANEL CUTOUT ONLY FOR LASER CUT PROCESS.
- 11 CSA CERTIFICATION LOGO LOCATED APPROXIMATELY AS SHOWN

12 DIMENSIONS SHOWN REPRESENT PRODUCT IN DRY, AS MOLDED, CONDITION. ADDITIONAL 2% GROWTH DUE TO SUBSEQUENT MOISTURE ABSORPTION MAY OCCUR AND SHOULD BE ACCOUNTED FOR.

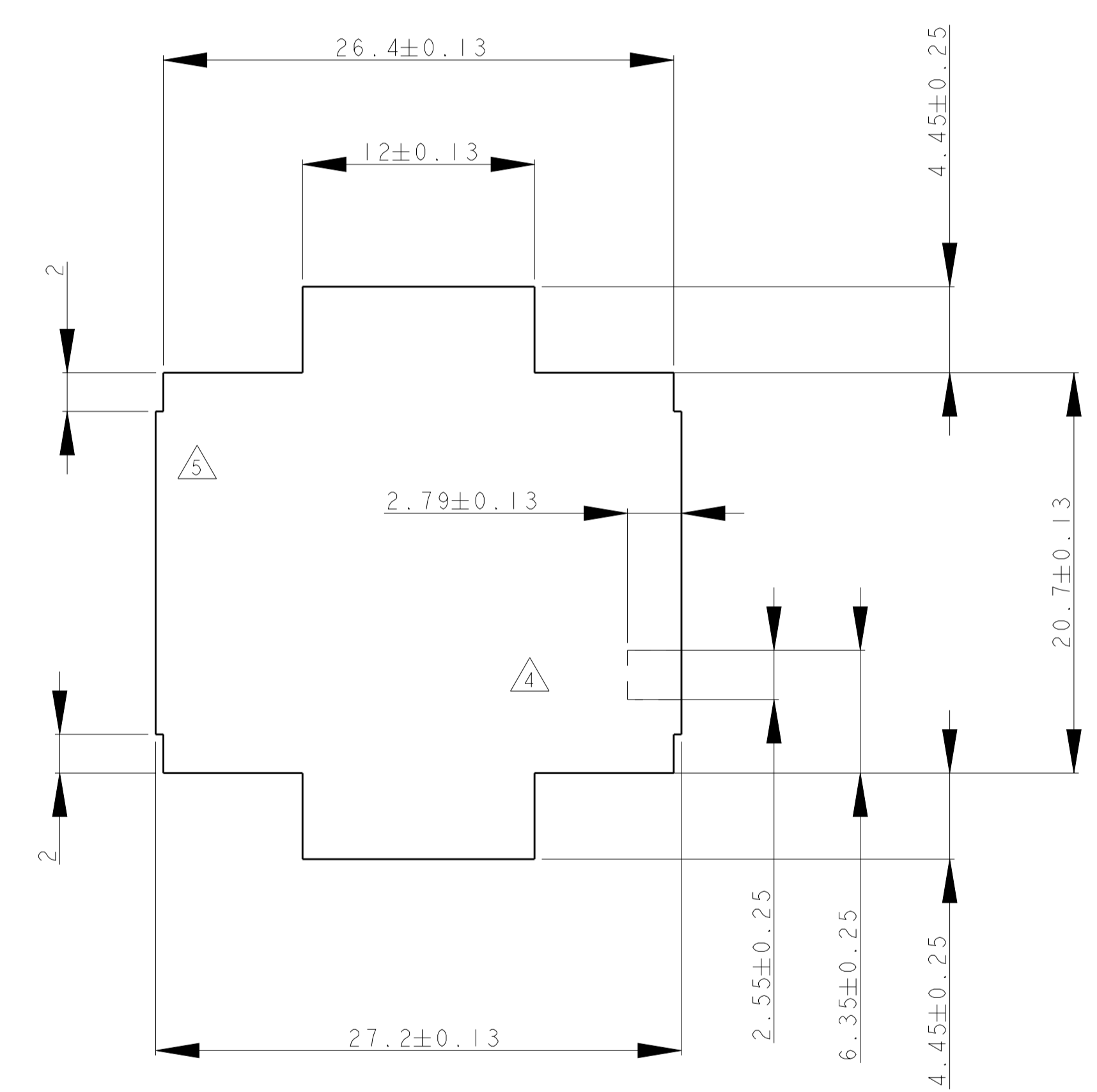
927231-7	PA66 UL-94 V0	NATURAL	7
927231-6	PA66 UL-94 V0	NATURAL	9
927231-5	PA66 UL-94 V2	NATURAL	7 8
927231-4	PA66 UL-94 V0	WHITE	
927231-3	PA66 UL-94 V0	NATURAL	6
927231-2	PA66 UL-94 V0	BLACK	
927231-1	PA66 UL-94 V0	NATURAL	
PN	MATERIAL	COLOUR	

THIS DRAWING IS A CONTROLLED DOCUMENT.		OWN MGT 11DEC2012	TE Connectivity	
DIMENSIONS: mm		CHK R.P 11DEC2012	NAME UMNL 9 WAY CAP HSG	
TOLERANCES UNLESS OTHERWISE SPECIFIED:		APVD R.P 11DEC2012	SIZE CAGE CODE DRAWING NO	
0 PLC ± 0.2		PRODUCT SPEC ± 0.13	RESTRICTED TO	
1 PLC ± 0.2		APPLICATION SPEC	A1	
2 PLC ± 0.2		WEIGHT	SCALE 5:1	
3 PLC ± 0.2		CUSTOMER DRAWING	SHEET 1 OF 2	
4 PLC ± 0.2			REV F8	
ANGLES ± 1°				
FINISH				

THIS DRAWING IS UNPUBLISHED. RELEASED FOR PUBLICATION. COPYRIGHT copyright.dkte. ALL RIGHTS RESERVED.

REVISIONS				
P.	LTN	DESCRIPTION	DATE	APVD
-	-	SEE SHEET 1	-	-

PANEL CUTOUT ONLY USE FOR LASER CUT \triangle



THIS DRAWING IS A CONTROLLED DOCUMENT.		DWN	WGT	11DEC2012	 TE Connectivity
DIMENSIONS:		CHK	R.P	11DEC2012	
mm		APVD	R.P	11DEC2012	
		TOLERANCES UNLESS OTHERWISE SPECIFIED:		NAME	UMNL 9 WAY CAP HSG
0 PLC ± 0.2		PRODUCT SPEC		SIZE	A1
1 PLC ± 0.2		APPLICATION SPEC		CAGE CODE	927231
2 PLC ± 0.2		FINISH		WEIGHT	-
3 PLC ± 0.2		CUSTOMER DRAWING		SCALE	5:1
4 PLC ± 0.2		RESTRICTED TO		SHEET	2
ANGLES $\pm 1^\circ$		REV		OF	2
MATERIAL		SCALE		REV	F8