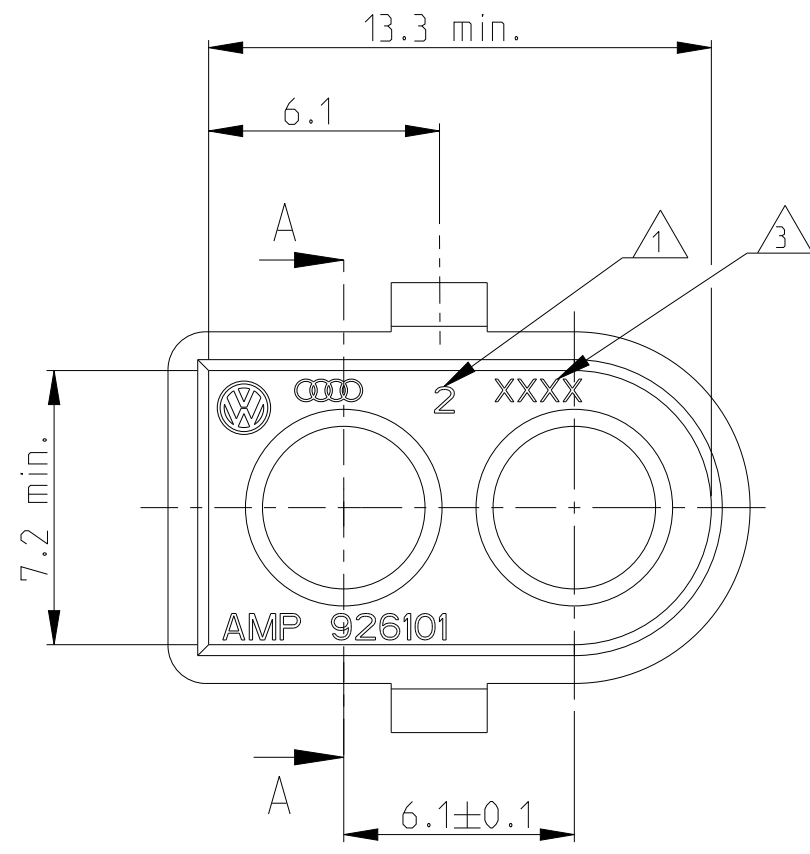
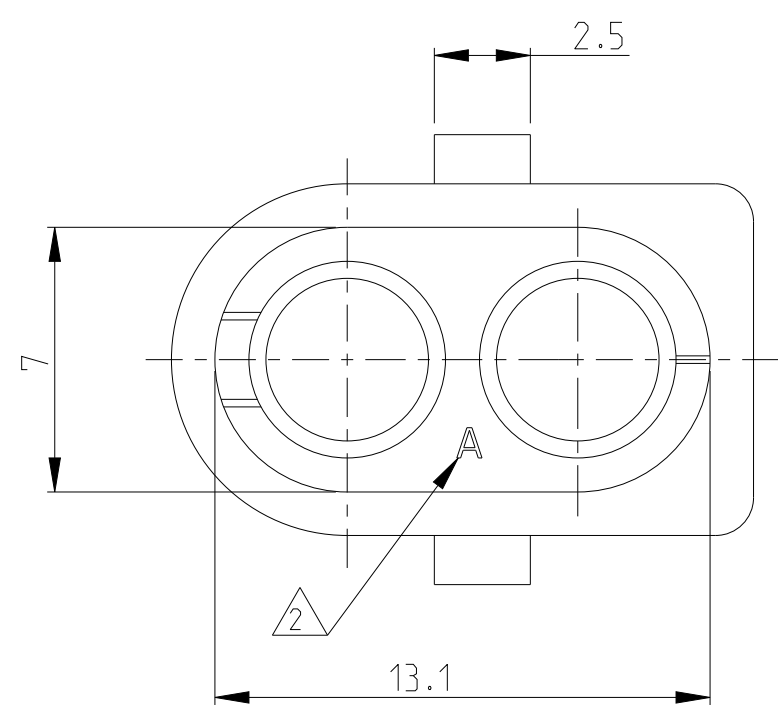
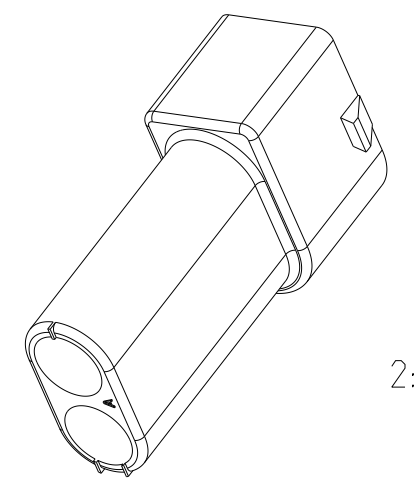
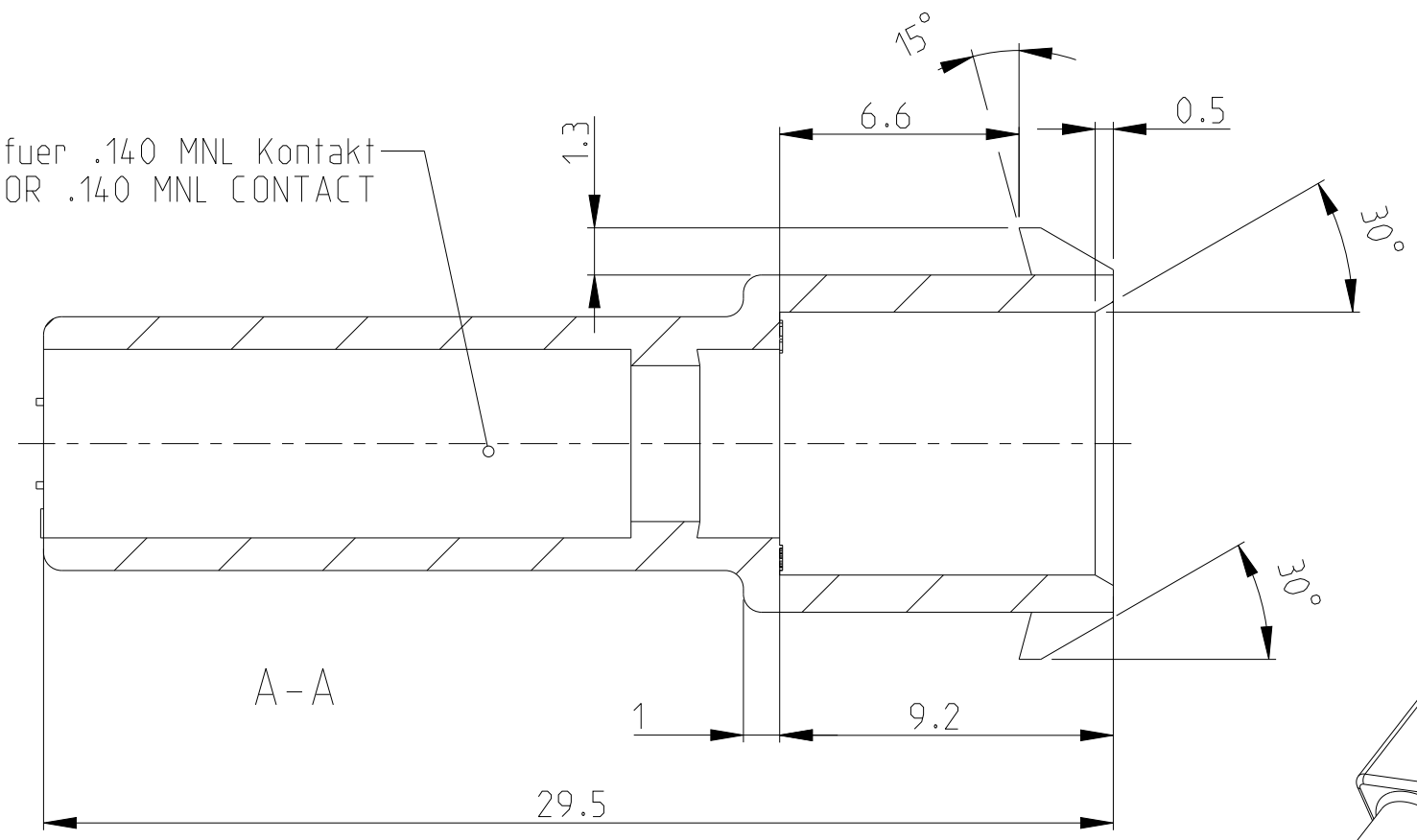
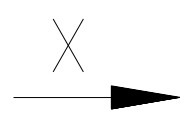


THIS DRAWING IS UNPUBLISHED. RELEASED FOR PUBLICATION 2003  
 © COPYRIGHT 2003 BY TYCO ELECTRONICS CORPORATION. ALL RIGHTS RESERVED.

LOC	DIST	REVISIONS			
P	LTR	DESCRIPTION	DATE	DWN	APVD
A1	-	NEW CAD DRAWING CREATED	08APR2004	Abr	H.K.
A1	-	NOTE 1 DELETED	17MAY2004	Abr	H.K.
A2	-	DRAWING / TOOL COMPLIANCE	14 JUL20004	Abr	H.K.
A3	-	REVISED PER ECN-23-241759	30NOV2023	WLS	VS



Kammer fuer .140 MNL Kontakt  
 CAVITY FOR .140 MNL CONTACT



Ansicht X  
 VIEW X

- Formkavit ätsnummer.  
 1 MOLD CAVITY NUMBER.
- Teilerevision.  
 2 PART REVISION.
- L ändercode des Herstellers optional.  
 3 MANUFACTURING COUNTRY CODE OPTIONAL.

PART NO.	REV.	MATERIAL	COLOUR
926101-2	A	POLYAMID 6.6	schwarz BLACK
926101-1	A	POLYAMID 6.6	natur NATURAL

Änderungen, die dem technischen Fortschritt dienen behalten wir uns vor.  
 Changes, which serve technical progress, we reserve ourselves

THIS DRAWING IS A CONTROLLED DOCUMENT FOR TYCO ELECTRONICS CORPORATION IT IS SUBJECT TO CHANGE AND THE CONTROLLING ENGINEERING ORGANIZATION SHOULD BE CONTACTED FOR THE LATEST REVISION.		DWN Abraham.G. 08APR2004	tyco Electronics AMP GmbH D - 64625 Bensheim	
DIMENSIONS: mm	TOLERANCES UNLESS OTHERWISE SPECIFIED:	CHK Kampmann.H. 13APR2004	NAME 2 pol. Stiftgehaeuse 2 POS. MALE HOUSING FOR .140 MNL CONTACT	
		APVD Bleicher.M. 14APR2004	SIZE A3	CAGE CODE 00779
MATERIAL -	FINISH -	PRODUCT SPEC -	RESTRICTED TO -	
		APPLICATION SPEC -	WEIGHT -	SCALE 5:1
CUSTOMER DRAWING			REV A3	