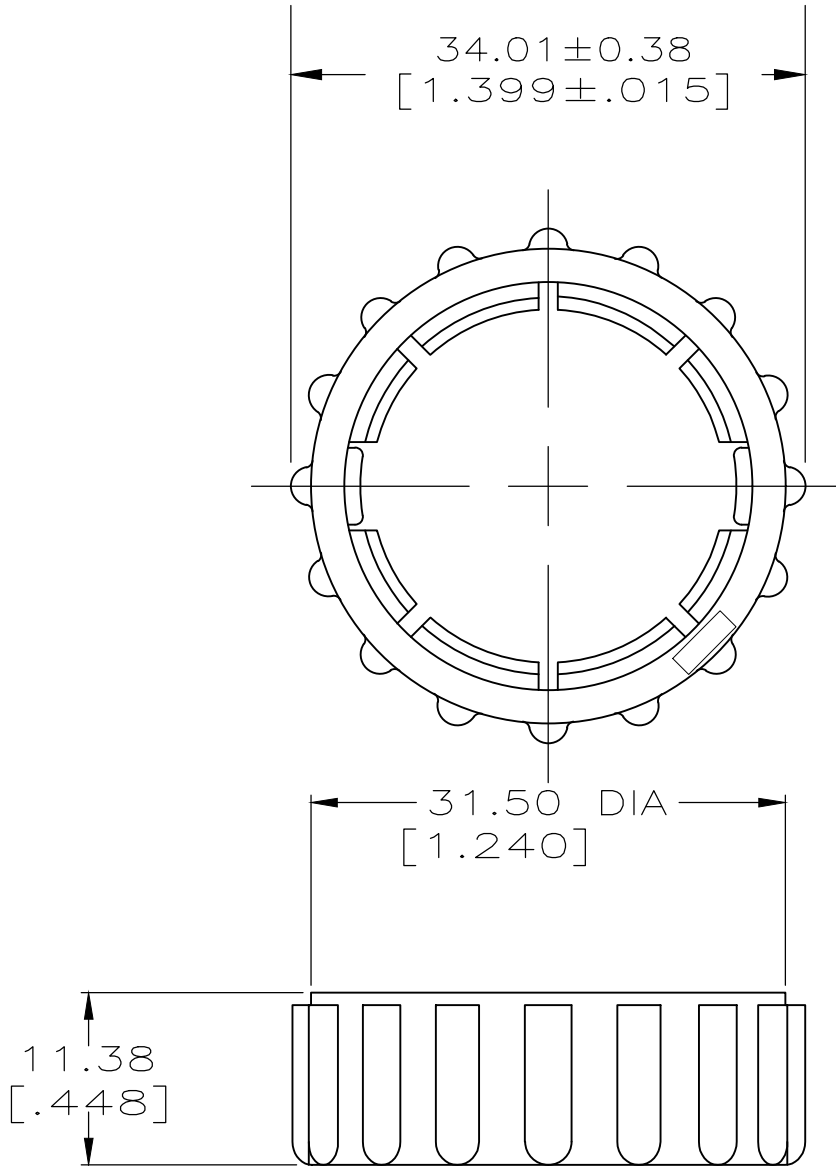



REVISIONS				
P	LTR	DESCRIPTION	DATE	APVD
A		REVISED PER ECO-20-012870	14SEP2020	MZ



TE Connectivity. All Rights Reserved.

PA66, BLACK	925485-1
MATERIAL	PART NUMBER

DIMENSIONS: INCHES	DWN RAGHAVENDRA.K 14SEP2020	MATERIAL SEE TABLE	FINISH -		
	CHK MARK.Z 14SEP2020	 TE Connectivity			
TOLERANCES UNLESS OTHERWISE SPECIFIED:	APVD MARK.Z 14SEP2020			NAME COUPLING RING, SIZE 17, CPC	
0 PLC ± -	PRODUCT SPEC -	SIZE A4	CAGE CODE 00779	DRAWING NO C-925485	RESTRICTED TO -
1 PLC ± -	APPLICATION SPEC -	SCALE 2:1		SHEET 1 OF 1	REV A
2 PLC ± 0.25 [.010]	WEIGHT -	CUSTOMER DRAWING			
3 PLC ± -					
4 PLC ± -					
ANGLES ± -					

