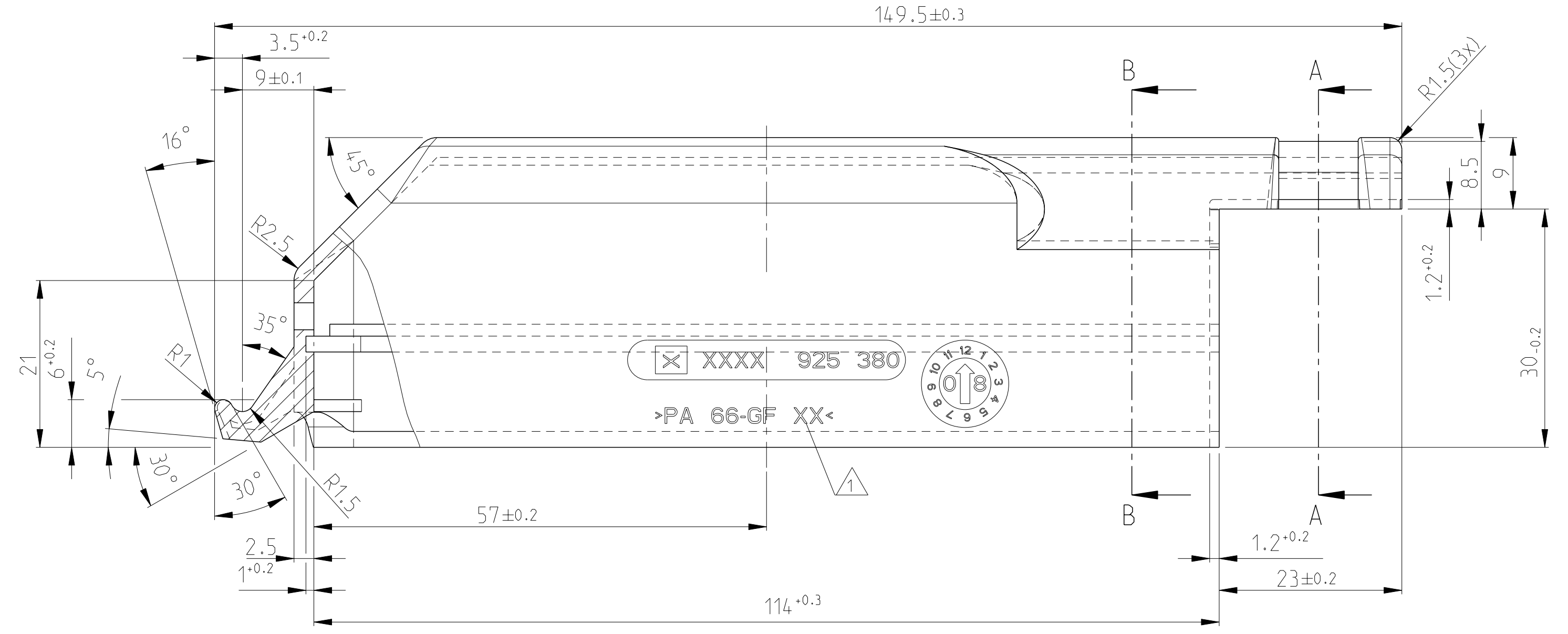
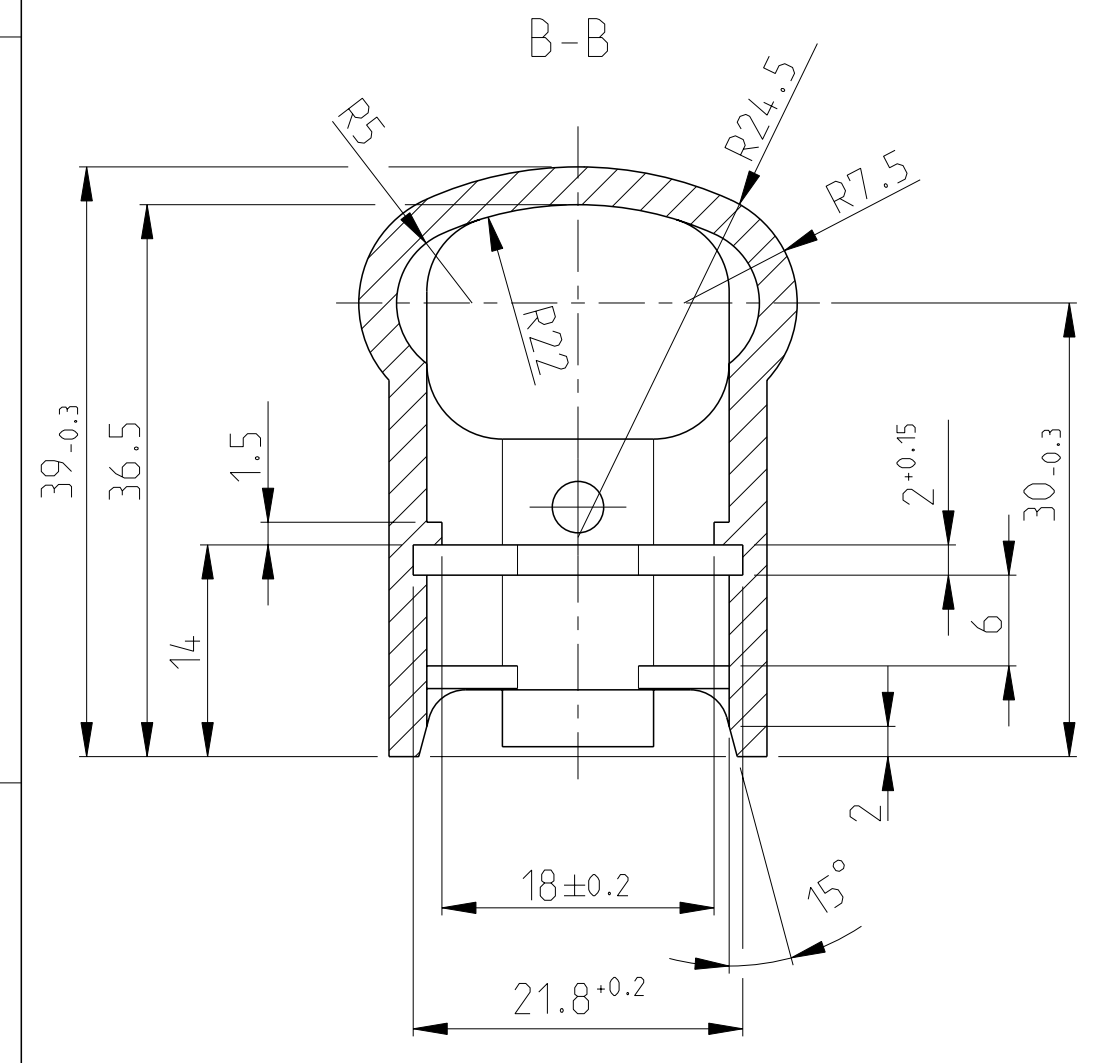
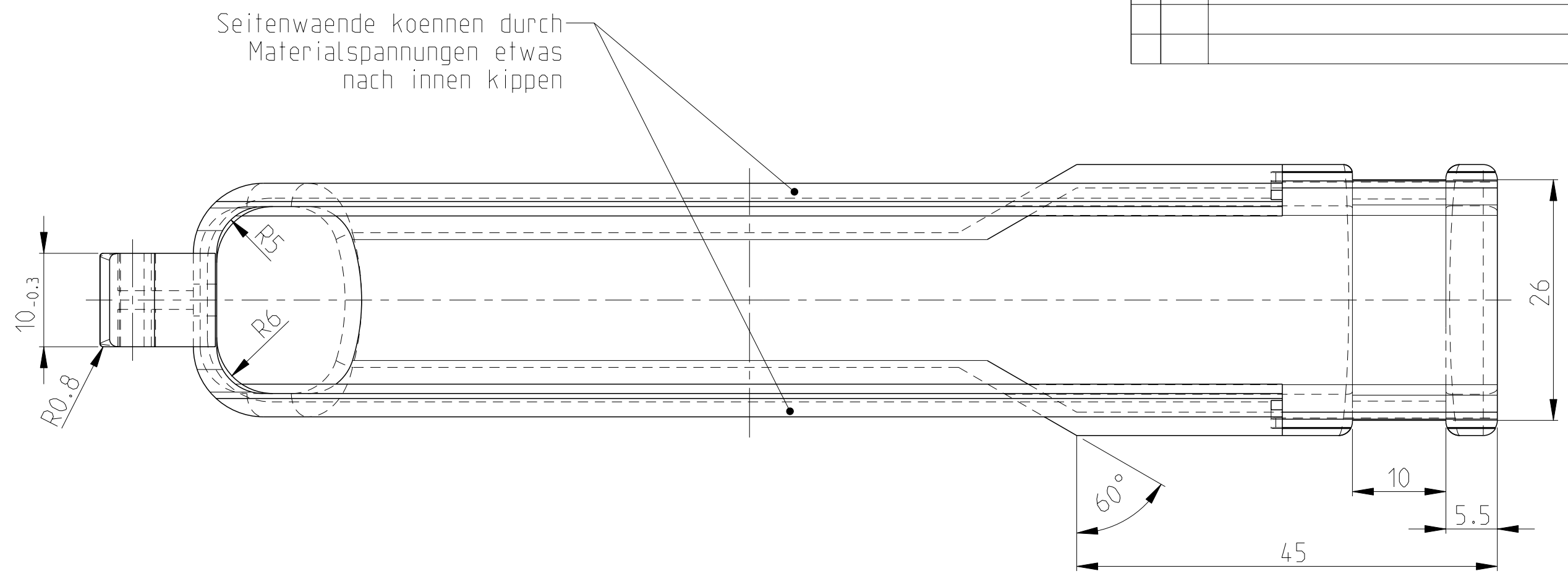
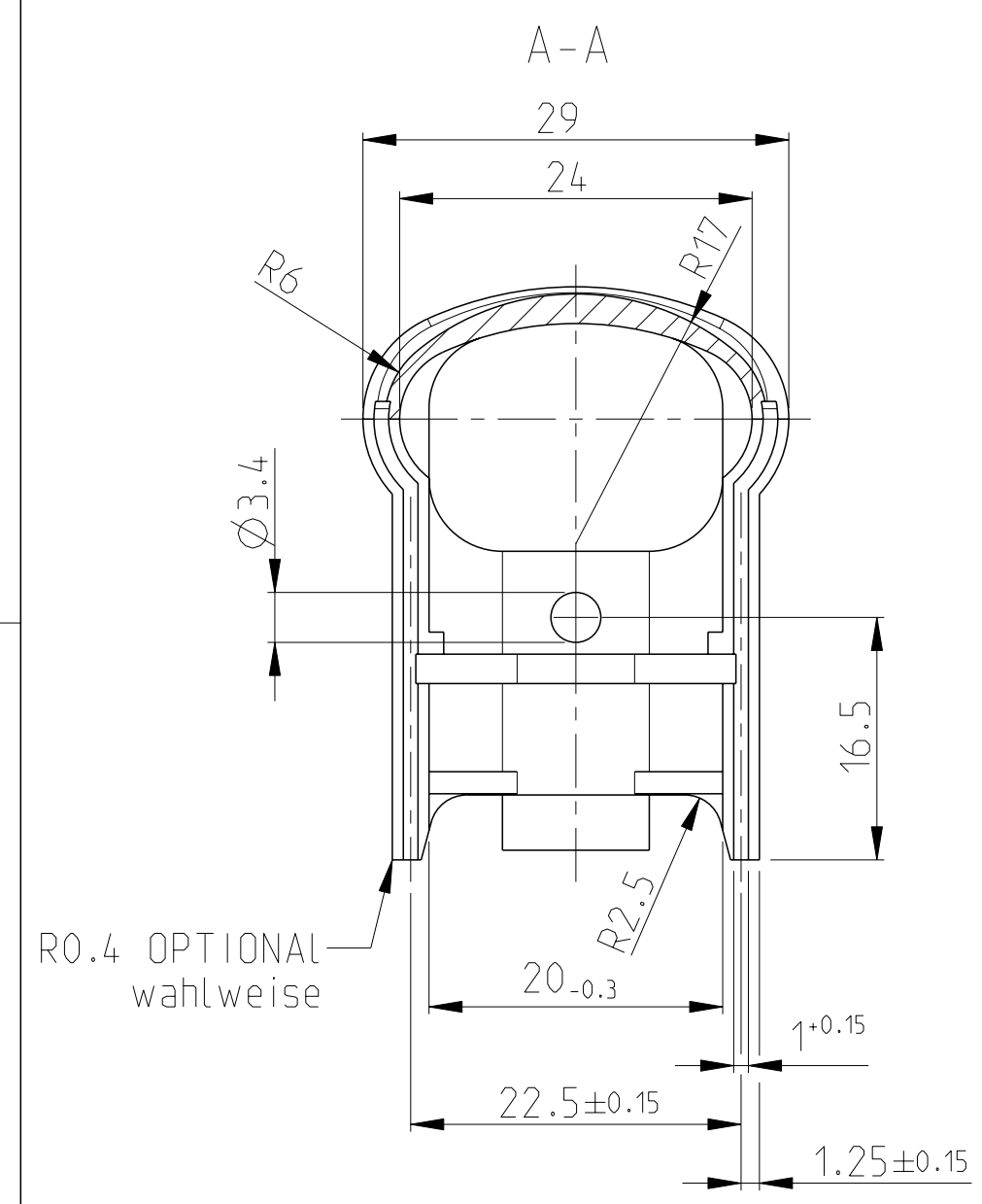


THIS DRAWING IS UNPUBLISHED. RELEASED FOR PUBLICATION 2008
 © COPYRIGHT 2008 BY - ALL RIGHTS RESERVED.

LOC		DIST		REVISIONS			
P	LTR	DESCRIPTION	DATE	DWN	APVD		
	F3	925380-3 obsolete	21AUG2013	Mah.	Krauss		



MATERIAL IDENTIFICATION	NUMBER	REV	MATERIAL	COLOUR
OBSOLETE	→PA 66-GF 13←	925380-3	F PA 66 GV13	YELLOW
OBSOLETE	→PA 66-GF 35←	925380-2	F POLYAMID 66 GV35 SE0	BLACK
	→PA 66-GF 13←	925380-1	F POLYAMID 66 GV13	BLACK

THIS DRAWING IS A CONTROLLED DOCUMENT.

DWN HaB 29APR1975
 CHK Stredak.F. 26NOV2008
 APVD Bleicher.M. 27NOV2008

TE Connectivity

NAME CONNECTOR HOUSING
 Griffkappe fuer 35pol. Buchsengehäuse

SIZE A2 CAGE CODE 00779 DRAWING NO C-925380 RESTRICTED TO -

SCALE 2:1 SHEET 1 OF 1 REV F3

Customer Drawing