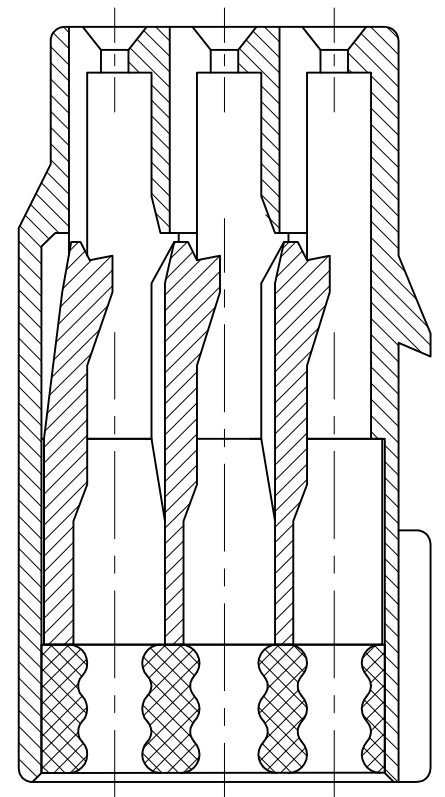
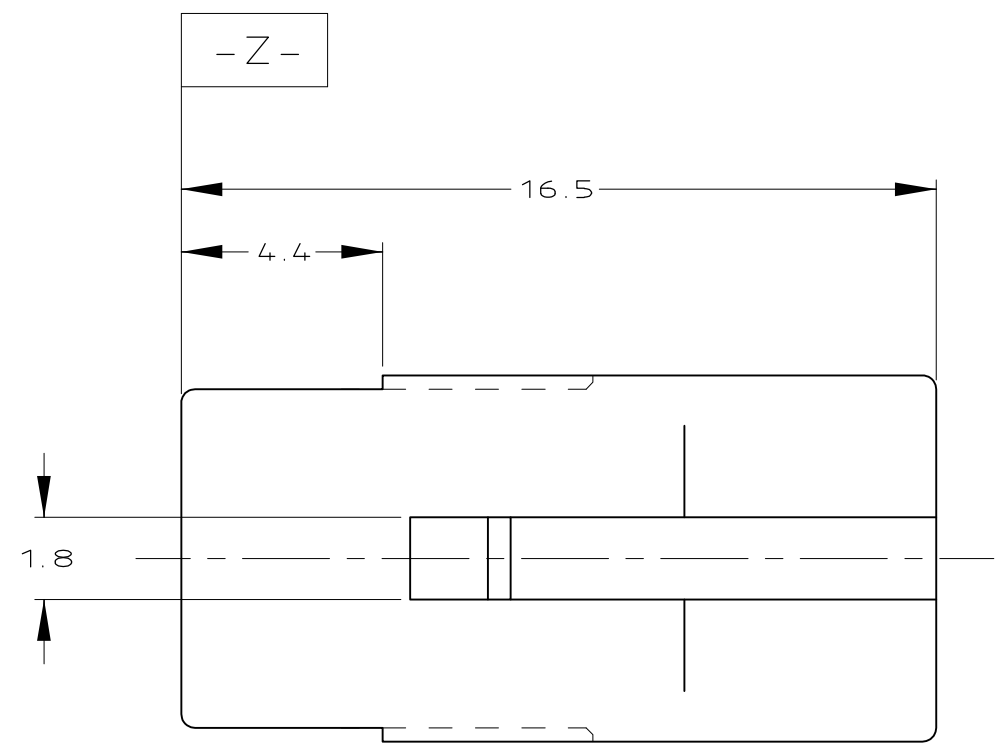
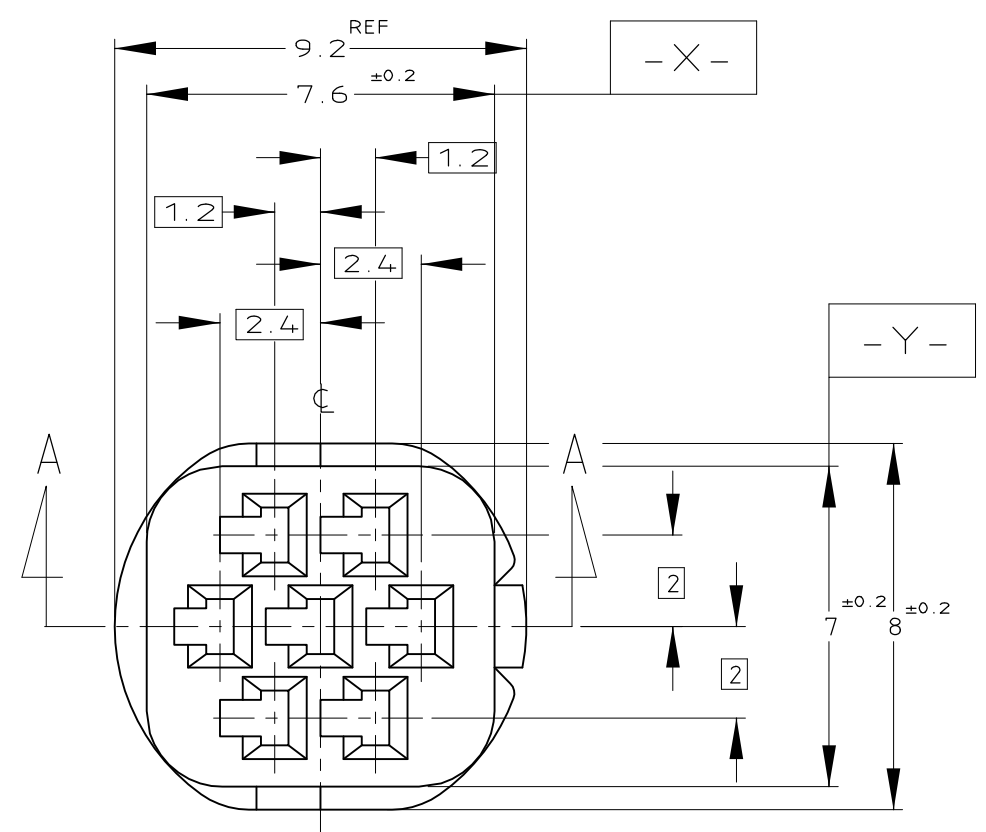


THIS DRAWING IS UNPUBLISHED. RELEASED FOR PUBLICATION  
 © COPYRIGHT - By - ALL RIGHTS RESERVED.

LOC	DIST	REVISIONS 変更					
J	-	P	LTR	DESCRIPTION	DATE	DWN	APVD
		D1		REVISED PER ECO-11-005140	28MAR11	RK	HMR



SECT. A-A


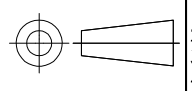
TOLERANCE UNLESS OTHERWISE SPECIFIED:  
一般公差

0 < x ≤ 10	: ±0.2
10 < x ≤ 30	: ±0.25
30 < x ≤ 100	: ±0.3
ANGLE ; 角度	: ±0.3°

1. 嵌合相手ハウジング型番 ; 917319
2. 内装するリセコンタクト型番 ; 917308
3. 適用製品規格番号 ; 108-5426
4. 取扱説明書 ; 412-5653-1

1. THE MATING PLUG HSG P/N 917319
2. APPLIED CONTACT P/N 917308
3. APPLICABLE PRODUCT SPEC No.108-5426
4. INSTRUCTION SHEET:412-5653

YELLOW	917318-8
GRAY	917318-7
BLACK	917318-6
NATURAL	917318-5
LIGHT GREEN	917318-4
COLOR	PART NUMBER

THIS DRAWING IS A CONTROLLED DOCUMENT.		DWN A. YAMAGUCHI 31JUL02	 TE Connectivity			
DIMENSIONS: 単位: 耗 mm		CHK T. HAYASHI 02AUG02				
TOLERANCES UNLESS OTHERWISE SPECIFIED: 一般公差		APVD H. YAMAGAMI 02AUG02	NAME 名称 MINI MULTI LOCK CONNECTOR 7POS PLUG HSG			
		PRODUCT SPEC 製品規格 SEE TABLE	APPLICATION SPEC 取付適用規格			
MATERIAL 材料 PBT G		FINISH 仕上 SEE TABLE	SIZE A3	CAGE CODE 00779	DRAWING NO 番号 G-917318	RESTRICTED TO -
CUSTOMER DRAWING			WEIGHT 0.85g	SCALE 尺度 5:1	SHEET 1 OF 1	REV D1