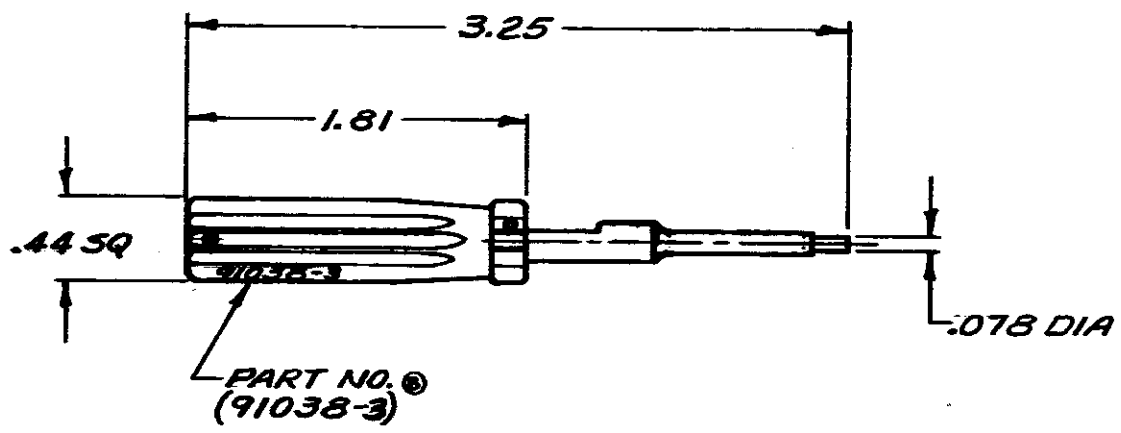


NUMBER
91038



FOR TOOL USAGE SEE INSTRUCTION SHEET 15 7357

DIMENSIONS IN INCHES. DO NOT SCALE PRINT.

DRAWING NO. 36

				© 1968 BY AMP INCORPORATED. ALL RIGHTS RESERVED. AMP PRODUCTS COVERED BY PATENTS AND/OR PATENTS PENDING.		CUSTOMER COPY REFERENCE ONLY	
MATERIAL AND FINISH				PLASTIC STEEL BLACK OXIDE WT: 1 OZ		AMP INCORPORATED HARRISBURG, PENNA.	
WIRE — RANGE — INSULATION				—#— —#—		TYPE TYPE XI	
TOLERANCE—EXCEPT AS NOTED				SCALE 1-1		LOC M A NO 91038 REV B-1	
REVISION RECORD		DR	CHK	DATE	NAME TOOL - EXTRACTION		
A Rev. For ECN HT60		DE	CHK	DATE	TOOL - EXTRACTION		
B Rev. For ECN HT665		DR	CHK	DATE	TOOL - EXTRACTION		
B-1 Loc M was R		DR	CHK	DATE	TOOL - EXTRACTION		