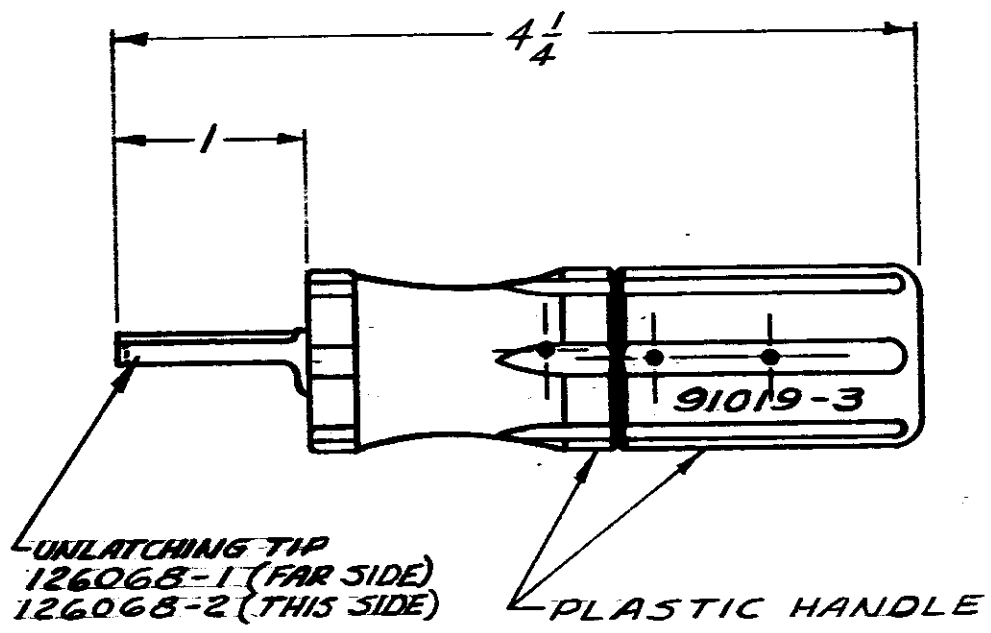


NUMBER 91019-3



NOTE:
1. FOR 91019-3 TOOL USAGE, SEE INSTRUCTION SHEET IS 7216

DIMENSIONS IN INCHES. DO NOT SCALE PRINT.

© 1966 BY AMP INCORPORATED. ALL RIGHTS RESERVED. AMP PRODUCTS COVERED BY PATENTS AND/OR PATENTS PENDING.

CUSTOMER COPY
REFERENCE ONLY

MATERIAL AND FINISH
STEEL &
PLASTIC

AMP AMP INCORPORATED
HARRISBURG, PENNSA.

WEIGHT - 30Z

CLASS —H—
TYPE TYPE XII CONTACTS

WIRE — RANGE — INSULATION
—H— | —H—

TOLERANCE EXCEPT AS NOTED
± .015

SCALE —H—

LOC **M** NO **91019-3** REV **A1**

NAME
TOOL-EXTRACTION

A1	Loc M was A	PK	-	9/1/66
A	ADDED Tip No's	44	DS	9/1/66
DR	REVISION RECORD	DR	CHK	DATE
DR	9/1/66	DR	9/1/66	9/1/66
DR	9/12/66	DR	9/12/66	9/12/66