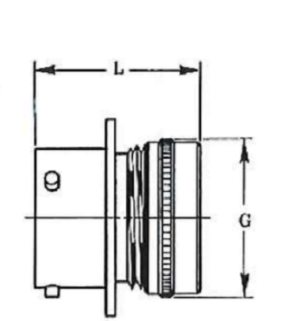
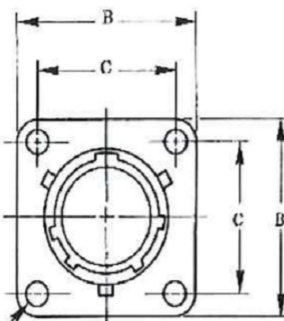


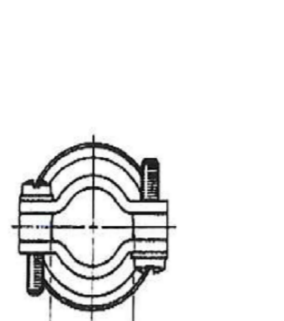
SANS ECROU ARRIERE
910-00.**.**P/S.**



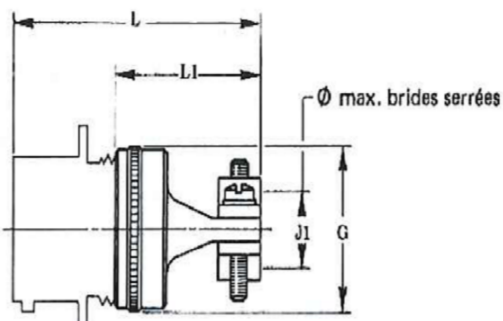
AVEC ECROU ARRIERE
910-0R.**.**P/S.**



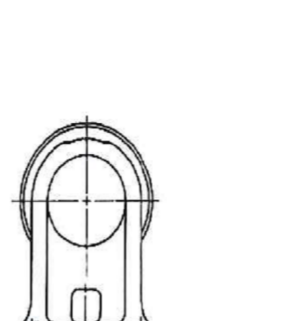
4 trous Ø 3,15±0,15 pour tailles 8 à 22
4 trous Ø 3,73±0,15 pour taille 24



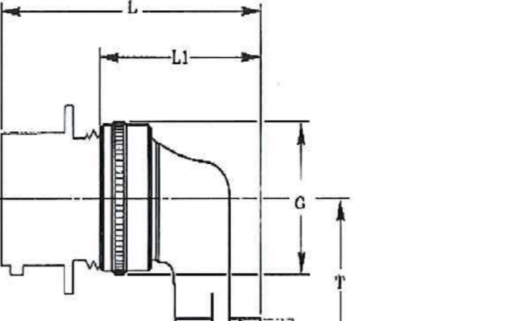
Ø max. brides serrées
Ø max. câble accepté



Ø max. brides serrées
Ø max. câble accepté



Ø max. brides serrées
Ø max. câble accepté



Ø max. brides serrées
Ø max. câble accepté

910 X X XX XX X X 0 X X XXX

BASIC IDENTIFIER
TYPE 10 AS per norm
UTE-C 93422
Model HE 310 A

SHELL TYPE
0 Square Flange Receptacle
7 Single Hole Mounting Receptacle
6 Plug

BACKSHELL TYPE
R - C - E
0 Without Backshell

SHELL SIZE
08-10-12-14-16-18-20-22-24

ARRANGEMENTS

CONTACT TYPE
P Male Contact
S Female Contact

KEY ORIENTATION OF MAN KEY
N Normal
W-X-Y-Z Others

RESISTANCE TO FLUIDS
As per norm UTE-C 93422
Model HE 310 A

PLATED TYPE
1 Black Anodized
2 Green Anodized

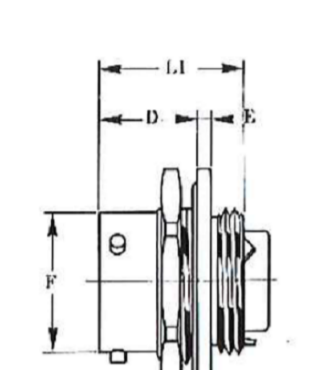
Special Modifications
Without Index With Standard Contacts
L Without Contacts

Special Modifications

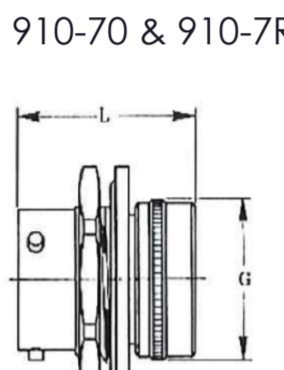
Table with columns: REFERENCE ANODISE NOIR, B max., C ±0.1, D ±0.15, E max., F max., G max., L max., L1 max., REFERENCE ANODISE VERT TILLEUL.

Table with columns: REFERENCE ANODISE NOIR, G max., J mini, J1 max., L max., L1 max., REFERENCE ANODISE VERT TILLEUL.

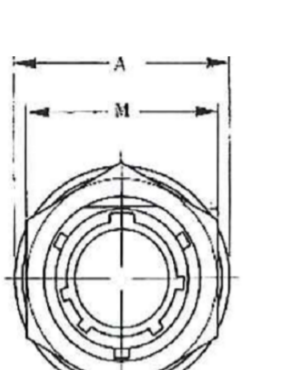
Table with columns: REFERENCE ANODISE NOIR, G max., J mini, J1 max., L max., L1 max., R max., T max., REFERENCE ANODISE VERT TILLEUL.



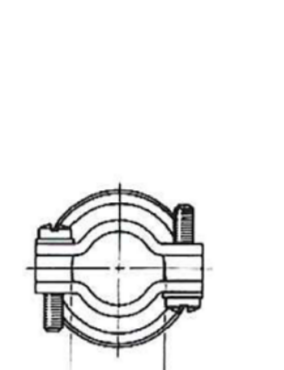
SANS ECROU ARRIERE
910-70.**.**P/S.**



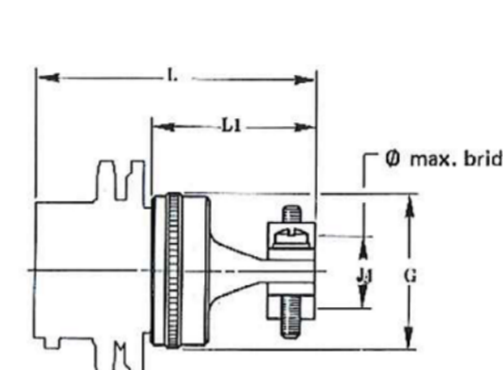
AVEC ECROU ARRIERE
910-7R.**.**P/S.**



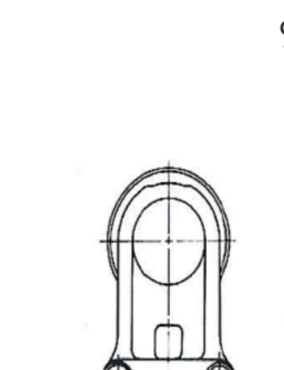
Ø max. brides serrées



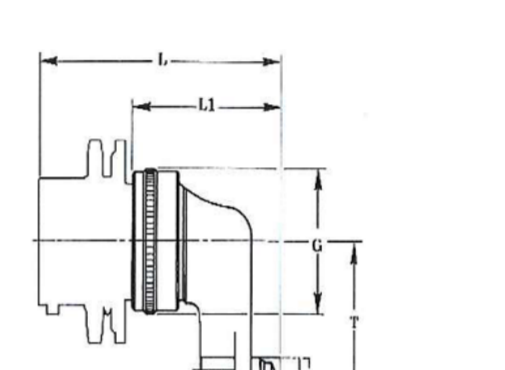
Ø max. câble accepté



Ø max. brides serrées
Ø max. câble accepté



Ø max. brides serrées
Ø max. câble accepté



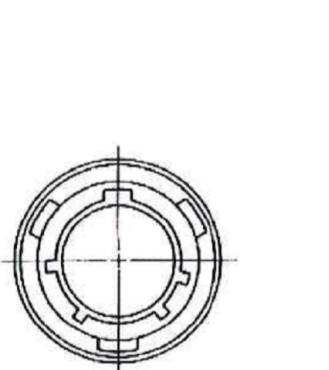
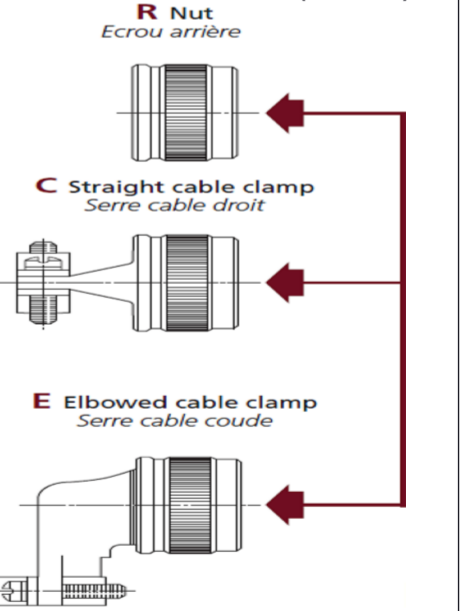
Ø max. brides serrées
Ø max. câble accepté

Table with columns: REFERENCE ANODISE NOIR, A max., D ±0.15, E max., F max., G max., L max., L1 max., M max., REFERENCE ANODISE VERT TILLEUL.

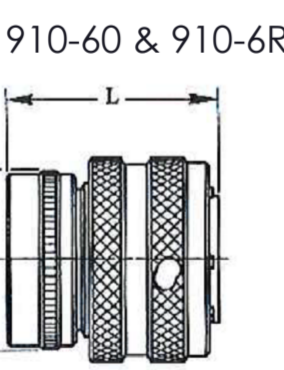
Table with columns: REFERENCE ANODISE NOIR, G max., J mini, J1 max., L max., L1 max., REFERENCE ANODISE VERT TILLEUL.

Table with columns: REFERENCE ANODISE NOIR, G max., J mini, J1 max., L max., L1 max., R max., T max., REFERENCE ANODISE VERT TILLEUL.

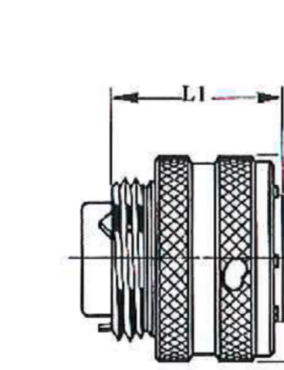
NOTE : ACCESSORIES (R-C-E)



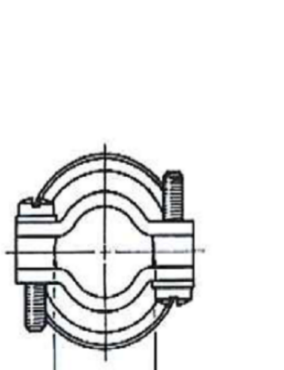
SANS ECROU ARRIERE
910-60.**.**P/S.**



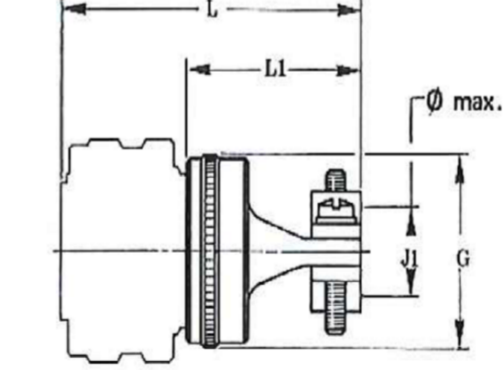
AVEC ECROU ARRIERE
910-6R.**.**P/S.**



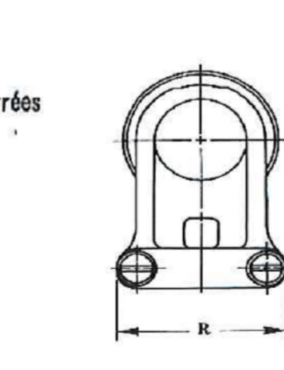
Ø max. brides serrées
Ø max. câble accepté



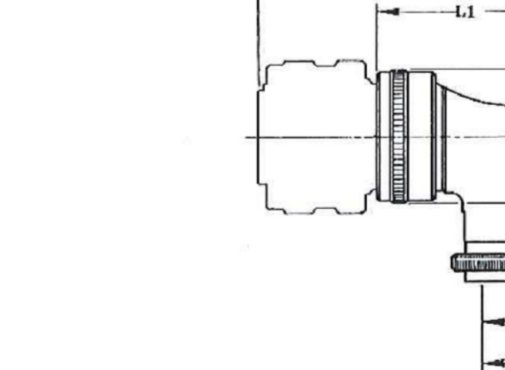
Ø max. câble accepté



Ø max. brides serrées
Ø max. câble accepté



Ø max. brides serrées
Ø max. câble accepté



Ø max. brides serrées
Ø max. câble accepté

CHARACTERISTIQUES

- 1. Shell material : Aluminium alloy
2. Plating : Black or green anodized
3. Insert material : Fluoro silicone
4. Contact : Crimp type, gold plated
5. Service Temperature : -55°C to + 175°C
6. Service Voltage 1 : 1500 V eff. ; 50 Hz
Service Voltage 2 : 2300 V eff. ; 50 Hz

Table with columns: REFERENCE ANODISE NOIR, F max., G max., L max., L1 max., REFERENCE ANODISE VERT TILLEUL.

Table with columns: REFERENCE ANODISE NOIR, G max., J mini, J1 max., L max., L1 max., REFERENCE ANODISE VERT TILLEUL.

Table with columns: REFERENCE ANODISE NOIR, G max., J mini, J1 max., L max., L1 max., R max., T max., REFERENCE ANODISE VERT TILLEUL.

Table with columns: DIMENSIONS (MM), TOLERANCES, ANGLES, SURFACE TEXTURE.

Product information including name (LAKSHMI SUDHA R), company (TE Connectivity), drawing number (910-XX_++), and revision (A).

THIS INFORMATION IS CONFIDENTIAL AND PROPRIETARY TO TYCOO ELECTRONICS CORPORATION AND ITS WORLDWIDE SUBSIDIARIES AND AFFILIATES (TEC). IT MAY NOT BE DISCLOSED TO ANYONE, OTHER THAN TE PERSONNEL, WITHOUT AUTHORIZATION FROM TE (WWW.TE.COM).