

901 - 20 RT 1 - 19 - 0 PN * T ***

CONNECTOR TYPE
As per ST 538 AGB/T

SHELL TYPE
20 : Plug
21 : Receptacle with nut and anti rotation teeth
92 : Receptacle with 4 screws
24 : Short receptacle with 4 screws fixing without need for backfitting

ARRANGEMENTS
(See pages 8 and 9)

SHELL SIZE
7-12-19-27-37-48-61-121

CONTACT TYPE
P : Male contact
S : Female contact

FITTING BACK TYPE
Back nut : R
Straight accessory (with adaptor for individual cable) : RT
Elbow accessory (with adaptor for individual cable) : CT
Elbow accessory (for multipurpose cable) : CS
Short elbow accessory (with adaptor for individual cable) : CC
Potting cup for thermo-shrink sleeve : ET
Adaptor for straight or elbowed light weight cable clamp : RA
Adaptor for heavy duty cable clamp : RD
Accessories for special cables, please consult us

KEYING SYSTEM
N : Normal
W-X-Y-Z : Others
(See page 8)

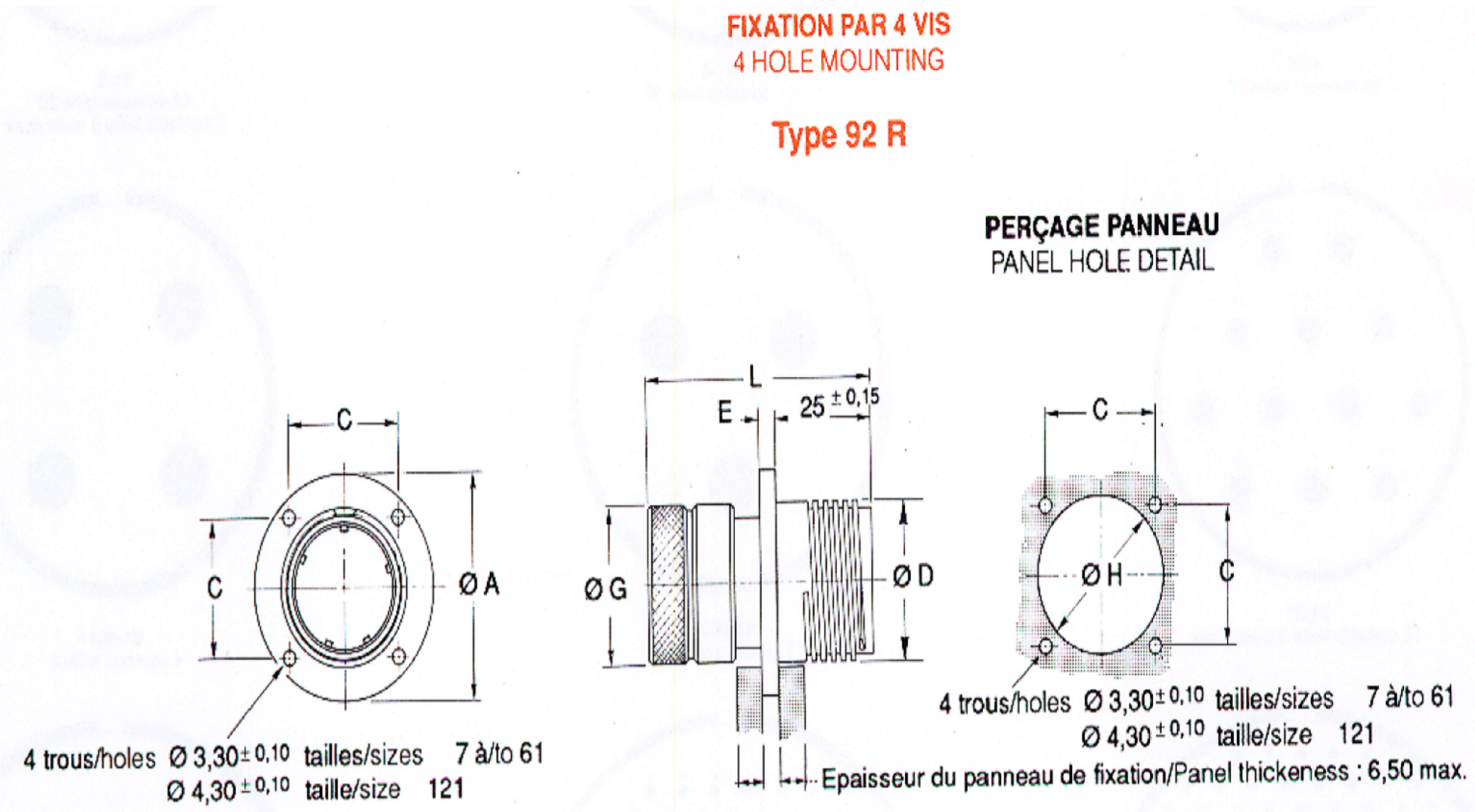
INDEX FOR CONTACTS
(See pages 24 to 27 size 8 and coax)

THERMO-SHRINK SLEEVE
Supplied with accessory (for RT - CT - CS - CC and ET indicate index T)

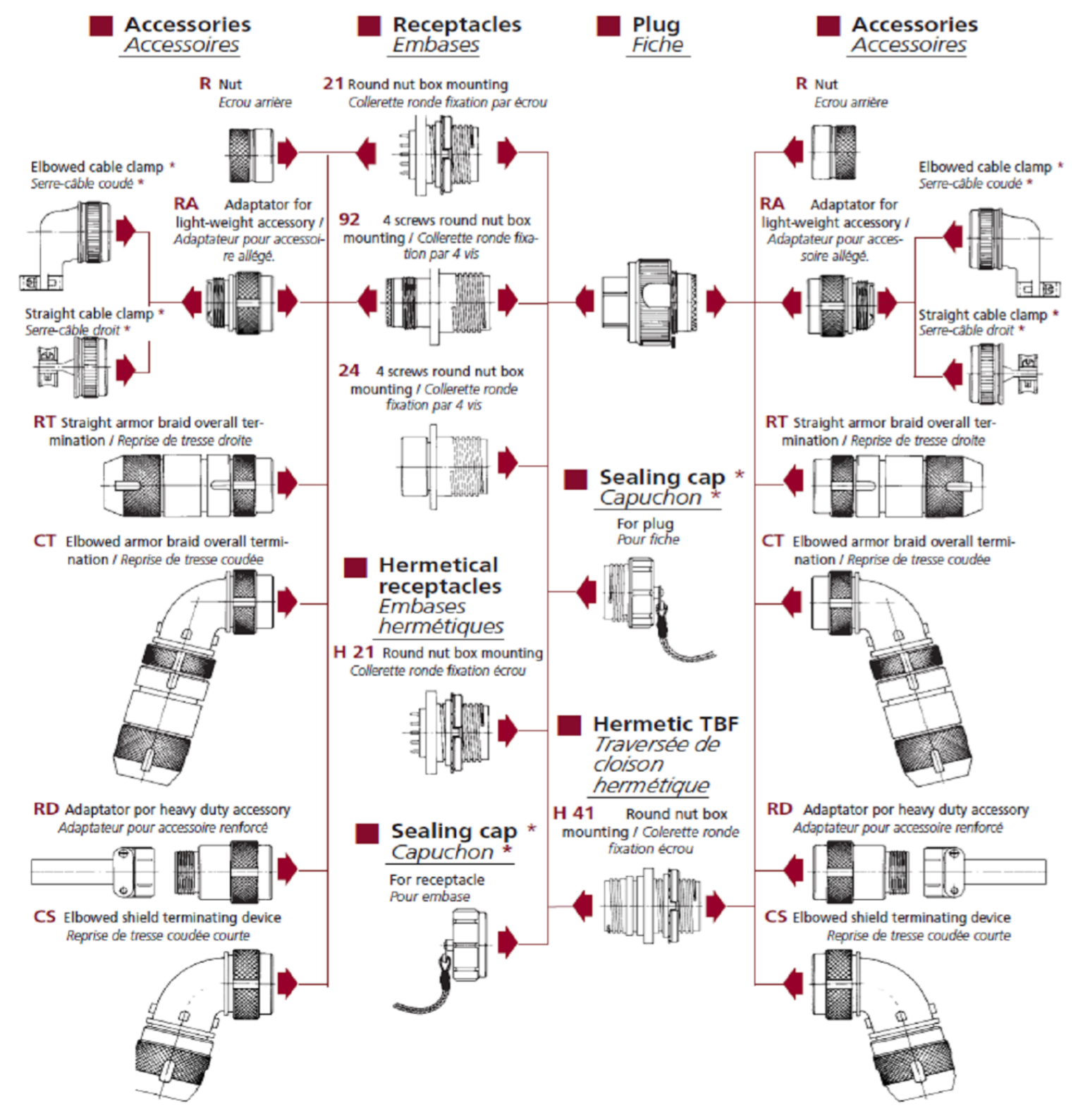
SPECIAL MODIFICATIONS
090 : Connector supplied without contacts, order contacts separately, see pages 24 to 27)

ACCESSORY INDEX AS PER Ø CABLE
(only for accessories RT - CT and CC)

Index	SHELL SIZES							
	7	12	19	27	37	48	61	121
1	9	12,5	14,5	17	18,5	20,5	22	22
	to	to	to	to	to	to	to	to
2	12,5	14,5	16,5	19	20,5	25	24	24
	to	to	to	to	to	to	to	to
3	15	19	20	23	25	31	31	31
	to	to	to	to	to	to	to	to
	16,5	21	22	28	31	33,5	38,5	38,5



ACCESSORIES



Taille Size	A max.	C $\pm 0,1$	D max.	E max.	G max.	H $+0,2$ -0	L max.
7	38,00	22,00	24,90	3,15	24,50	27,00	57,10
12	44,00	27,00	28,00	4,15	27,10	31,00	57,10
19	46,00	28,00	31,90	4,15	30,80	35,00	57,10
27	49,00	30,00	35,90	4,15	35,55	38,00	57,35
37	53,00	33,00	38,90	5,15	38,70	42,00	57,35
48	56,00	35,00	42,90	5,15	43,90	45,00	57,35
61	59,00	37,00	45,90	5,15	45,90	48,00	57,35
121	78,00	48,00	56,90	5,15	56,90	63,00	57,35

CHARACTERISTIQUES

- Shell material : Aluminium alloy, coupling ring , Marine bronze UA9 NFe
- Insert material : Thermosetting resin, silicone elastomer
- Contact : Crimp type, gold over nickel
- Temperature range : - 55° C to + 125° C
- Withstanding voltage : At sea level
Service 1 - 1500 V eff. 50 Hz
Service 2 - 1000 V eff. 50 Hz

DIMENSIONS: MM	TOLERANCES UNLESS OTHERWISE SPECIFIED:	DWN LAKSHMI SUDHA R	MATERIAL -	HEAT TREAT -
0 PLC \pm	1 PLC $\pm 0,05$	CHK RAKESH S		
2 PLC $\pm 0,05$	3 PLC $\pm 0,02$	APVD VINCENT P		
4 PLC \pm		NAME		
ANGLES \pm		901 SERIES_Receptacle with 4 screws		
SURFACE TEXTURE $\sqrt{\quad}$		SCALE 2:1	SIZE A2	DRAWING NO 901_92X_++
		SHEET 1 of 1	REV A	

THIS INFORMATION IS CONFIDENTIAL AND PROPRIETARY TO TYCOO ELECTRONICS CORPORATION AND ITS WORLDWIDE SUBSIDIARIES AND AFFILIATES (TEC). IT MAY NOT BE DISCLOSED TO ANYONE, OTHER THAN TE PERSONNEL, WITHOUT AUTHORIZATION FROM TE (www.te.com).