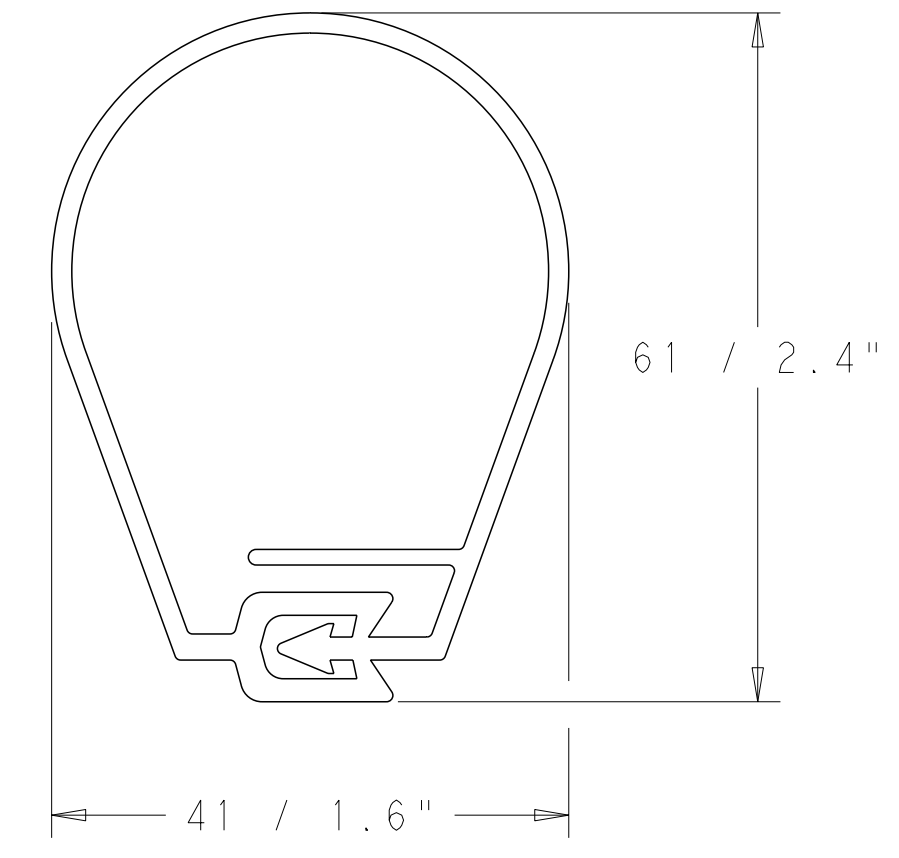
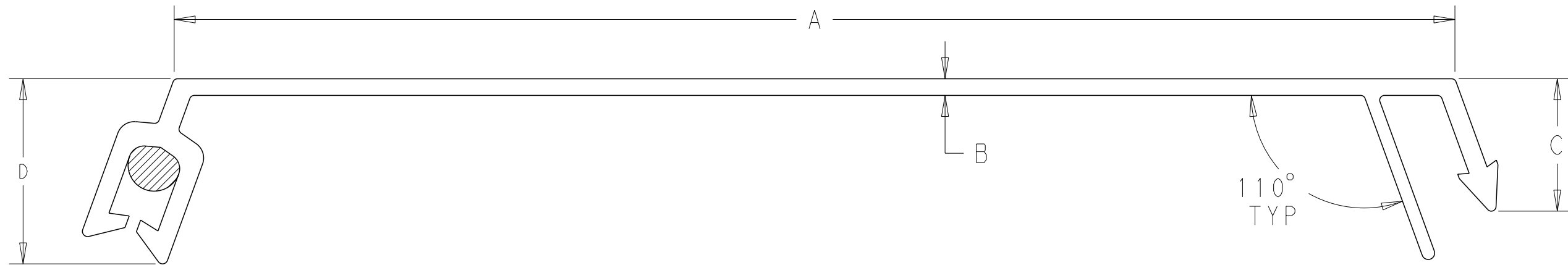


THIS DRAWING IS UNPUBLISHED. RELEASED FOR PUBLICATION 2015
 © COPYRIGHT 2015 BY TE CONNECTIVITY ALL RIGHTS RESERVED.

REVISIONS				
P	LTR	DESCRIPTION	DATE	APVD
A		NEW DRAWING	29SEP2015	KR I.B



MVLC	Dim.	A	B	C	D
-38	mm	140 ±1.0	1.8 ±0.2	14 ±0.5	19 ±0.5
	Inches	5.51 ±0.008	0.07±0.008	0.56 ±0.02	0.76 ±0.02

PART DESCRIPTION	VOLTAGE CLASS in kV	WEIGHT kg\M (lbs\Ft)	QUANTITY
MVLC-38-A/U-C(50)	15 (without mastic in channel)	0.52 (0.35)	50M -0/+500mm (164Ft -0/+19")
MVLC-38-A/241-C(50)	25 (with mastic in channel)	0.52 (0.35)	50M -0/+500mm (164Ft -0/+19")

NOTES:
 1. MATERIAL: RAYCHEM RED MVLC.
 2. DIMENSIONS AND TOLERANCES AS MARKED.
 3. EACH PART SHAL BE PRINTED WITH TE CONNECTIVITY \ RAYCHEM PART DESCRIPTION AND BATCH NUMBER
 4. PRODUCT TO BE SUPPLIED ON WOODEN REELS.
 5. MVLC IS A POLYMER PRODUCT AND MAY BECOME FLATTENED WHEN SUPPLIED ON THE REEL. THIS DOES NOT AFFECT THE SHAPE, INSTALLABILITY OR PERFORMANCE.

THIS DRAWING IS A CONTROLLED DOCUMENT.		DWN RAGHU 29SEP2015	STE TE Connectivity	
DIMENSIONS: mm		CHK IAN BOND 29SEP2015		
TOLERANCES UNLESS OTHERWISE SPECIFIED:		APVD IAN BOND IAN BOND	NAME MVLC-38 MEDIUM-VOLTAGE-LINE-COVER	
0 PLC ±-		PRODUCT SPEC -	SIZE A2	
1 PLC ±0.1		APPLICATION SPEC -	CAGE CODE -	DRAWING NO C-9-1899471-6
2 PLC ±0.01		WEIGHT -	RESTRICTED TO -	SCALE 3:2
3 PLC ±0.001		Customer Drawing	SHEET 1 OF 1	REV A
4 PLC ±0.0001				
ANGLES ±-				
FINISH -				
MATERIAL SEE NOTE				