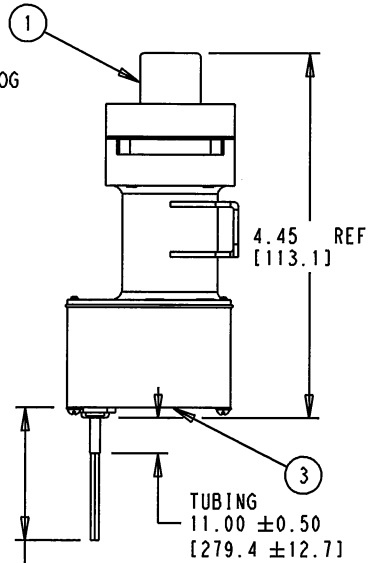
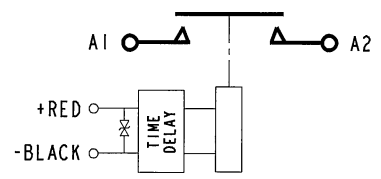
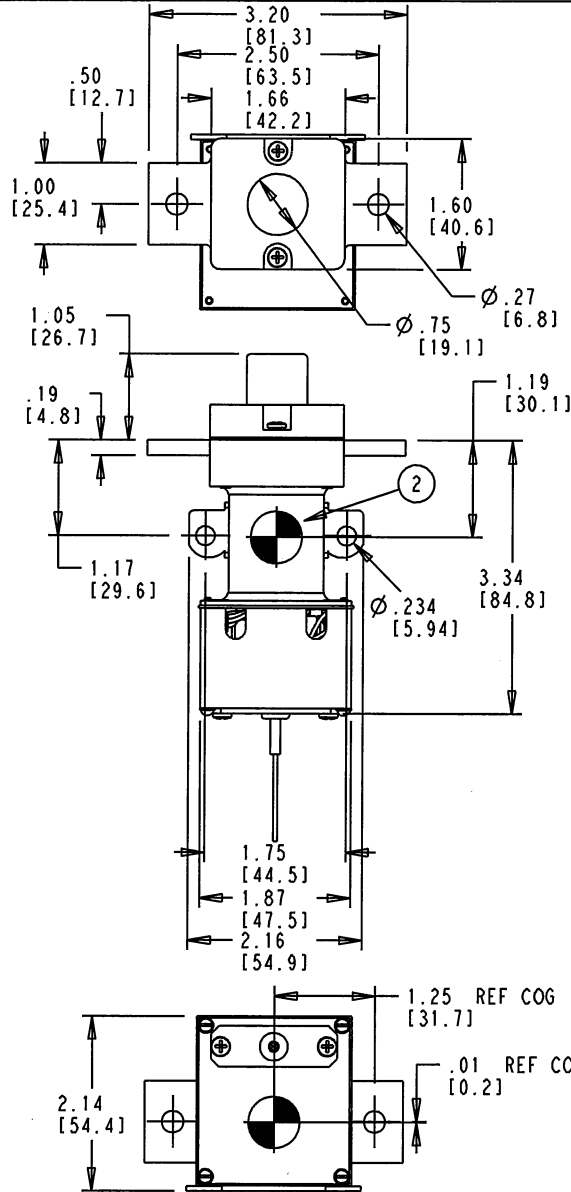


USED ON

DRG NO 9-1616990-1
 THIS DRAWING IS A CONTROLLED DOCUMENT



WIRE LENGTH
12.00 ± 0.50
[304.8 ± 12.7]

CONSTRUCTION
MAIN CONTACTS
CONFIGURATION
VOLTAGE
CURRENT
MOTOR

GASKET SEALED
SPST N.O. DOUBLE BREAK
28 VDC
1500 AMPERE DECREASING TO 1000 AMPERE IN
15 SECONDS FOR A TOTAL CYCLE OF 45
SECONDS AT -54°C
1400 AMPERE DECREASING TO 600 AMPERE IN
30 SECONDS AT +25°C
1000 AMPERE DECREASING TO 625 AMPERE IN
15 SECONDS FOR A TOTAL CYCLE OF 45
SECONDS AT +85°C

COIL DATA
DUTY CYCLE
NOM OPERATE VOLTAGE
OPERATING VOLTAGE RANGE
DROPOUT VOLTAGE

INTERMITTENT
28 VDC
21.5 TO 32.5 VDC
5.6 VDC AT +85°C
4 VDC AT -54°C
3 AMPS MAX

COIL CURRENT

3 AMPS MAX

TIME DELAY
DELAY ON OPERATE

0.5 to 0.7 SECONDS MAX

ENVIRONMENTAL DATA
TEMPERATURE OPERATING
TEMPERATURE GROUND SURVIVAL
ALTITUDE

-55°C TO +85°C
-55°C TO +85°C
55,000 FEET

WEIGHT (EST.)

1.00 LBS

- *TIME DELAY IS A MIL-PRF-83726 TYPE DEVICE (TD228C-5500-1)
- *TIME DELAY MUST BE DATE LOT CODE MARCH 18, 2013 AND SUBSEQUENT
- *LIMITED TO 3 CONSECUTIVE CYCLES, THEN 60 MINUTE WAIT
- *TRANSORB IS 15KP54CA/15KPA54CA

THIS INFORMATION IS CONFIDENTIAL AND PROPRIETARY TO TYCO ELECTRONICS CORPORATION AND ITS WORKING SUBSIDIARIES. IT IS UNCLASSIFIED AND PUBLIC RELEASE AUTHORITY FROM THE DATE OF THIS DOCUMENT.

3	1	47597-005	SCHMATIC DIAGRAM				2-1616978-7
2	1	47596-009	NAME PLATE				9-1616990-2
1	1	46095-230	PRIMARY ASSEMBLY				3-1616978-7
FIND NO	QTY RECD	PART OR IDENTIFYING NO	NOMENCLATURE OR DESCRIPTION	DRAWING OR SPECIFICATION	FSCM NO	TE PART NO	MATERIAL OR NOTE
CAGE CODE: 74063			DWN 11MAR2013	MATERIAL		HEAT TREAT	
MIL-HOR-128B 175 N. DIAMOND STREET WARDFIELD, OHIO 44092			CHK RSS				
DIMENSIONS: INCHES [mm]			APVD MDM 13-05-31				
TOLERANCES UNLESS OTHERWISE SPECIFIED:			APVD DWD 05/31/13				
0 PLC ±							
1 PLC ±							
2 PLC ±.06							
3 PLC ±.010							
4 PLC ±							
ANGLES ± 1°							
SURFACE TEXTURE			√				
NAME CONTACTOR 500 AMP SPST NO 28 VDC TIME DELAY				K500A1E2			
SCALE	SIZE	DRAWING NO	SHEET	OF	REV		
NONE	A3	9-1616990-1	1	1	A		

LOC							
DIST							
	A	RELEASED	31MAY2013	RSS	Mdm		
P	LTR	REVISION RECORD	DATE	DWN	APVD		