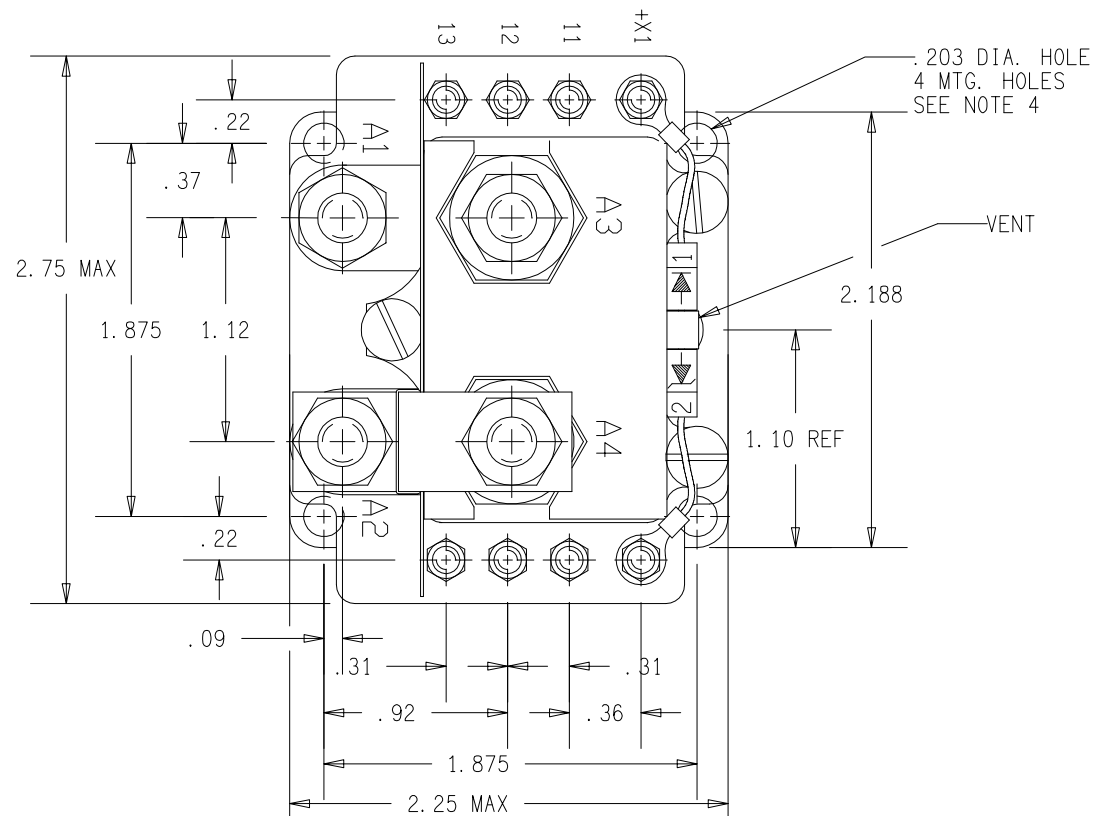


REVISIONS		RELEASED	
REV.	DESCRIPTION	DATE	APPROVED
A	INITIAL RELEASE	11/09/27	CB
B	.22 DIM. WAS .2188	12/02/09	CB



CONSTRUCTION GASKET SEALED, SILASTIC SEALED

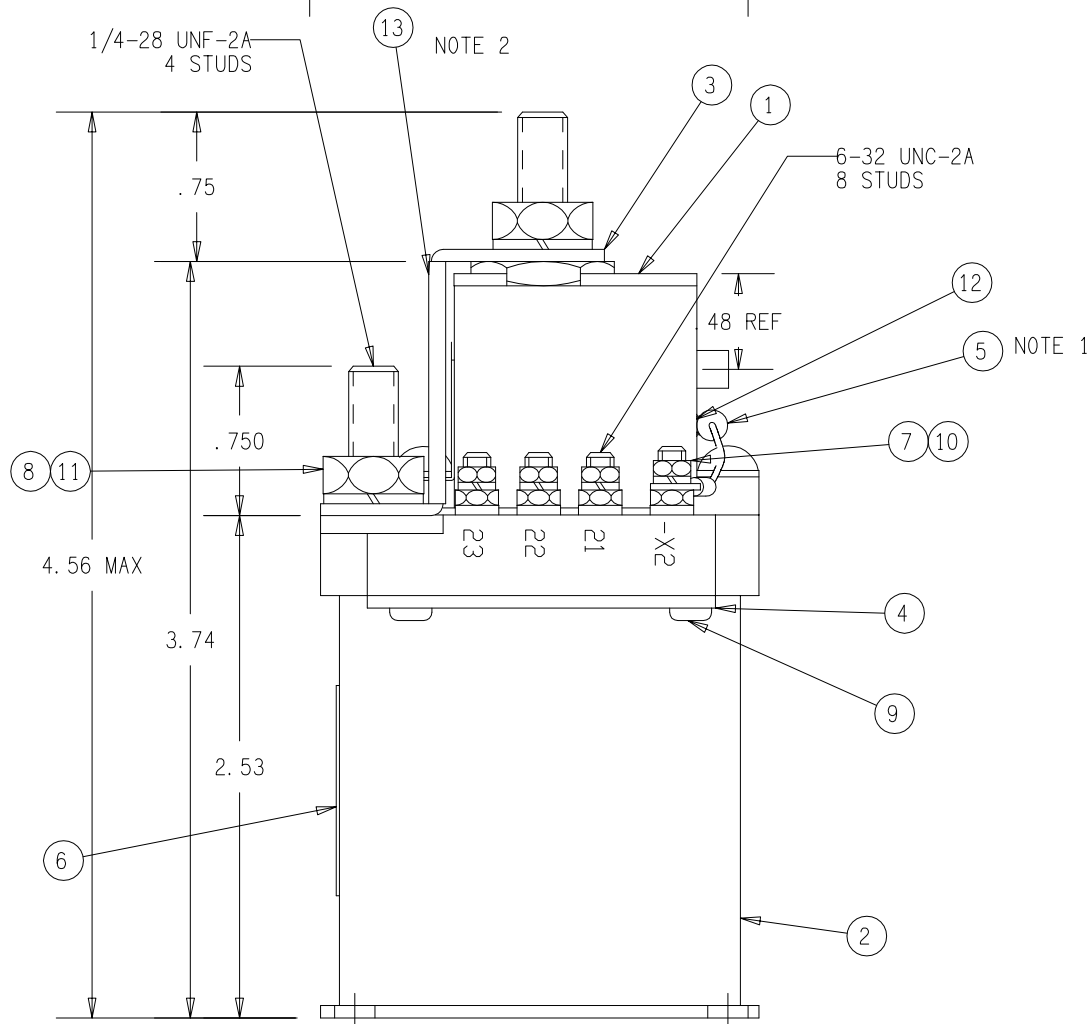
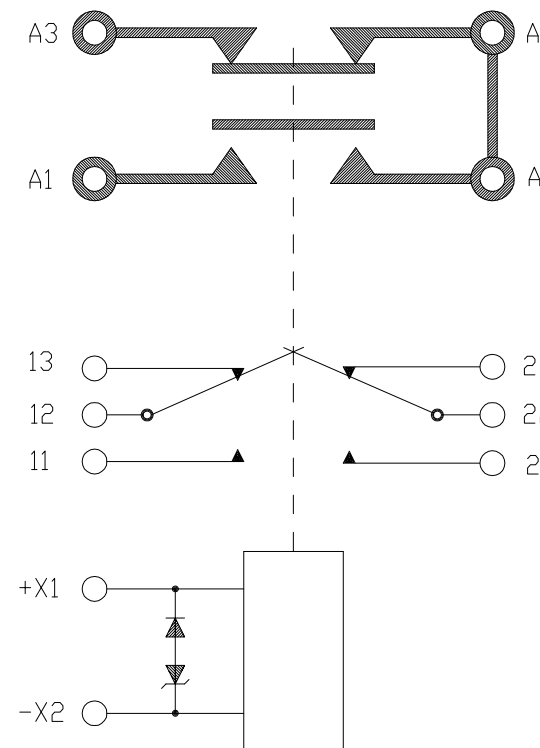
MAIN CONTACTS
 CONFIGURATION SPDT (BREAK BEFORE MAKE)
 VOLTAGE (NOM.) 28 VDC
 CURRENT RES. 200 AMP
 INRUSH 600 AMP CARRY ONLY

AUXILIARY CONTACTS
 CONFIGURATION DPDT
 VOLTAGE 28 VDC
 CURRENT RES. 5 AMP
 IND. 3 AMP

COIL DATA
 MAX OPERATE 30 VDC
 MIN OPERATE 24 VDC
 PICKUP AT 25°C 16.5 VDC MAX
 DROPOUT 0.5-7.0 VDC
 RES. AT 25°C 50 OHM ±20%
 DUTY CYCLE CONTINUOUS
 SUPPRESSION 45 V PEAK

ENVIRONMENTAL DATA
 AMBIENT TEMP -55°C TO +71°C

LIFE ELECTRICAL 50,000 CYCLES MIN
 LIFE MECHANICAL 100,000 CYCLES MIN
 WEIGHT MAX 1 LB 15 OZ



- NOTE
- 37220-020 LEAD ASSEMBLY-SUPPRESSION IS ELECTRICALLY INSULATED USING TEFLON SLEEVING.
 - 33896-001 BUS BAR INSULATION PROVIDED BY HEAT SHRINK TUBING (ITEM 13).
 - .75 DIM. TO BE MEASURED FROM TOP OF LUG SEAT TO TOP OF STUD
 - PAINT REMOVED FROM 2 OPPOSITE MTG HOLES, TOP AND BOTTOM, FOR GROUNDING PURPOSES.

FIND NO	QTY REQD	PART OR IDENTIFYING NO	NOMENCLATURE OR DESCRIPTION	DRAWING OR SPECIFICATION	FSCM NO	TE PART NO	MATERIAL OR NOTE
13	1	51691-020	TUBING			5-1616357-5	
12	AR	54100-005	SILASTIC			1-1616370-3	
11	4	51807-034	WASHER LOCK, NO. 1/4 SPLIT			3-1616360-0	BRONZE
10	8	51806-014	WASHER LOCK, NO. 6 SPLIT			1616360-7	BRONZE
9	4	51200-020	SCREW NO. 4 X 1/4 PAN HD. SHEET METAL			1616342-2	S. STEEL
8	4	50407-364	NUT 1/4-28 X 7/16 X 3/16 HEX			2-1616338-3	BRASS
7	8	50406-014	NUT 6-32 X 3/16 X 5/64 HEX			4-1616337-7	BRASS
6	1	16043-001	PLATE - NAME			3-1616169-5	
5	1	37220-020	LEAD ASSY - SUPPRESSION			4-1616272-4	
4	2	34290-001	PLATE - COVER			8-1616253-6	
3	1	33896-001	BUS BAR			4-1616251-7	
2	1	33502-080	CONTACTOR ASSEMBLY PRIMARY			2-1616983-0	
1	1	33344-003	PLATE - COVER			6-1616248-5	

UNLESS OTHERWISE SPECIFIED DIMENSIONS ARE IN INCHES TOLERANCES ON	DRAWING OR SPECIFICATION		FSCM NO	TE PART NO	MATERIAL OR NOTE
2 PL DEC. 3 PL DEC. ANGLES	DR BY	RSS	11-05-20		
± .06 ± .010 ± 1°	CHK BY	CB	11-09-27		
	ENGR	RSS	11-05-20		
	MFG				
SIZE B	CODE IDENT	74063		DWG NO.	A-1077B1
SCALE NONE	SHEET 1 OF 1	REF TE PN	9-1616982-7		

TE
 Harman™ Division 175 N. DIAMOND STREET MANSFIELD, OHIO 44902

CONTACTOR - SPDT
 200 AMP, 28 VDC