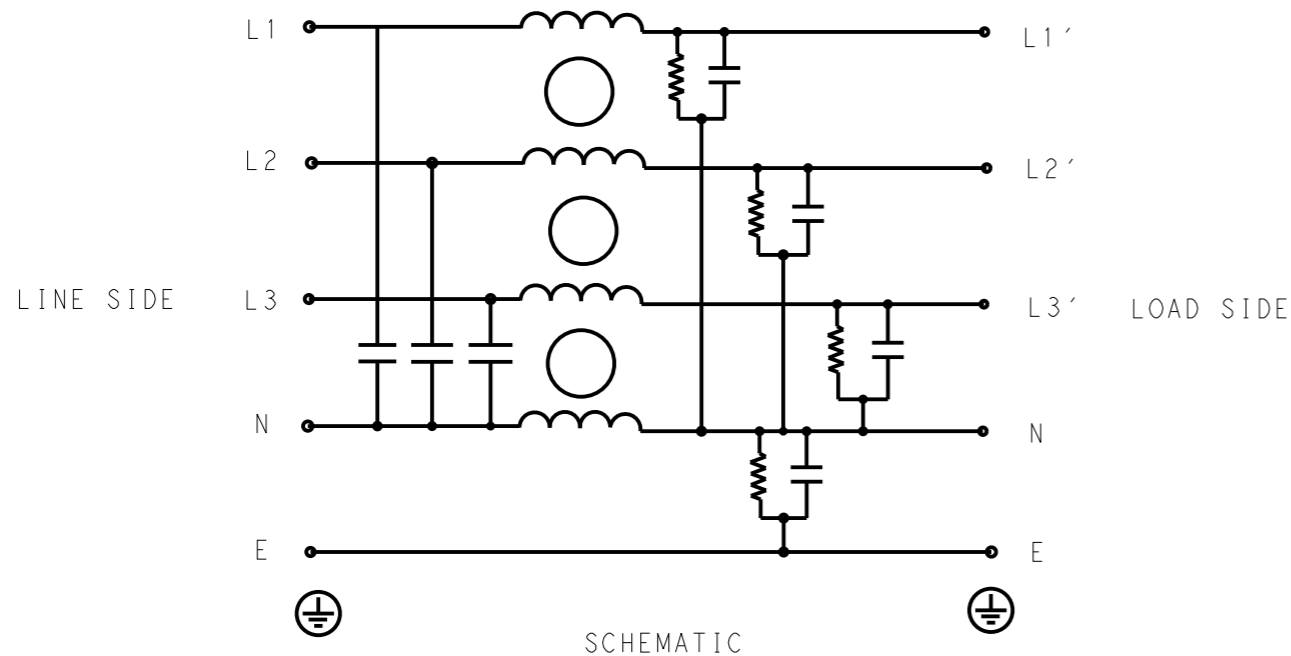


P	LTR	DESCRIPTION	DATE	DWN	APVD
	A	INITIAL RELEASE	19APR2021	BS	CB



SAFETY ORGANIZATIONS

THIS FILTER WILL BE FORMALLY RECOGNIZED, CERTIFIED OR APPROVED BY THE LISTED AGENCY. THEREFORE, ALL TEST/REQUIREMENTS SPECIFIED IN THE LATEST REVISION OF THE FOLLOWING AGENCY STANDARDS WILL BE MET:

UL APPROVED 100A 520V 50Hz/60Hz 40°C
 CSA APPROVED 100A 520V 50Hz/60Hz 40°C

OPERATING SPECIFICATION

LINE CURRENT/VOLTAGE: 100A, 520VAC
 LINE FREQUENCY: 50/60Hz

MAXIMUM LEAKAGE CURRENT: 11mA @ 230VAC, 50Hz

OPERATING AMBIENT TEMPERATURE RANGE @ RATED CURRENT: -25°C TO +40°C

IN AN AMBIENT, T_a, HIGHER THAN 40°C, THE MAXIMUM OPERATING CURRENT, I_o, IS AS FOLLOWS:

$$I_o = I_r \sqrt{\frac{85 - T_a}{45}}$$

RELIABILITY SPECIFICATIONS

STORAGE TEMPERATURE: -40°C TO +85°C
 HUMIDITY: 21 DAYS @ 40°C AND 95% RH

TEST SPECIFICATIONS

INDUCTANCE, NOMINAL: 0.1mH

CAPACITANCE @ 1kHz

NEUTRAL TO GROUND, NOMINAL: 1µF
 LINE TO NEUTRAL, NOMINAL: 8.8µF

DISCHARGE RESISTOR

L/L I.R. 2MΩ 2W
 L/N I.R. 1.5MΩ 2W
 L/G I.R. 2MΩ 2W
 N/G I.R. 680KΩ 2W
 IR (NO DISCHARGE RESISTOR) 20°C, 50% RH AND 100VDC, MIN: 6MΩ

RECOMMENDED RECEIVING INSPECITON HIPOT

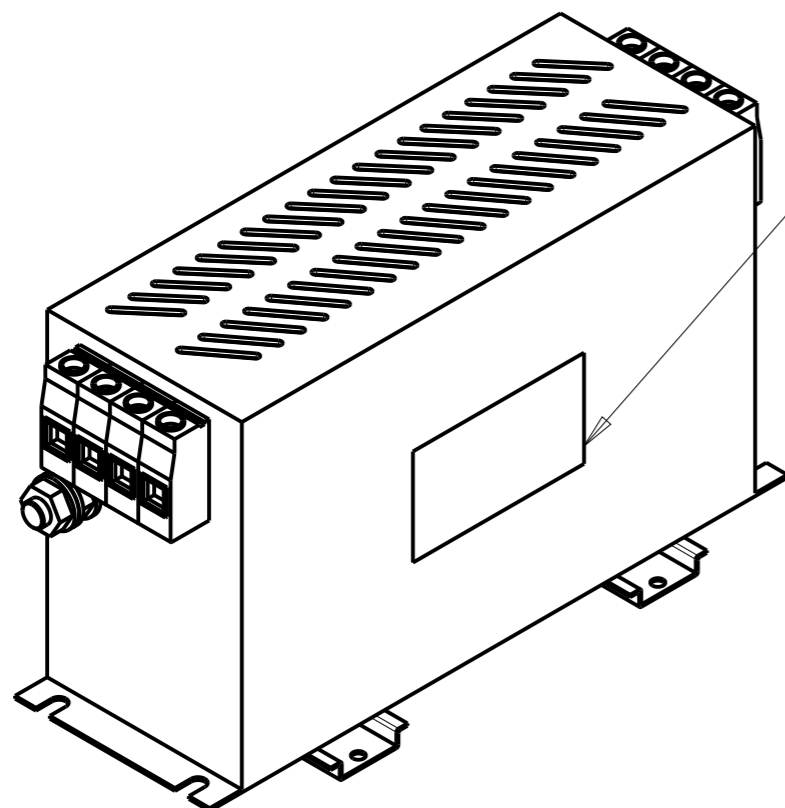
LINE TO GROUND FOR 1 MINUTE: 2856VDC
 LINE TO LINE FOR 1 MINUTE: 2236VDC
 LINE TO NEUTRAL FOR 1 MINUTE: 1290VDC

FILTER APPROVAL

THE BEST WAY TO SELECT AND QUALIFY A FILTER IS FOR YOUR ENGINEERING TO TEST THE UNIT IN YOUR EQUIPMENT.

TYPICAL INSERTION LOSS
 COMMON MODE 50/50Ω; DIFFERENTIAL MODE 50/50Ω

MHz	0.01	0.05	0.15	0.5	1	3	5	10	30
CM	24	24	29	56	46	50	54	23	12
DM	17	20	23	42	40	52	58	20	20



LABEL TO TE MARKING SPECIFICATION

THIS DRAWING IS A CONTROLLED DOCUMENT.		DWN 19APR2021 BAPAT SAHAS		
DIMENSIONS: mm		CHK 19APR2021 CHRIS BOLLE		
TOLERANCES UNLESS OTHERWISE SPECIFIED:		APVD 19APR2021 CHRIS BOLLE	NAME POWER LINE FILTER FOR DIN 35 RAIL INSTALLATION 100KEPS10BBSWHM	
0 PLC ±.5 1 PLC ±0.5 2 PLC ±0.40 3 PLC ±0.130 4 PLC ±0.0500 ANGLES ±.		PRODUCT SPEC -	APPLICATION SPEC -	
MATERIAL -		WEIGHT -	SIZE A300779	CAGE CODE C-9-1609969-5
FINISH -		CUSTOMER DRAWING	SCALE 2:5	SHEET 1 OF 2
			RESTRICTED TO -	REV A

© 2021 TE Connectivity. All Rights Reserved.

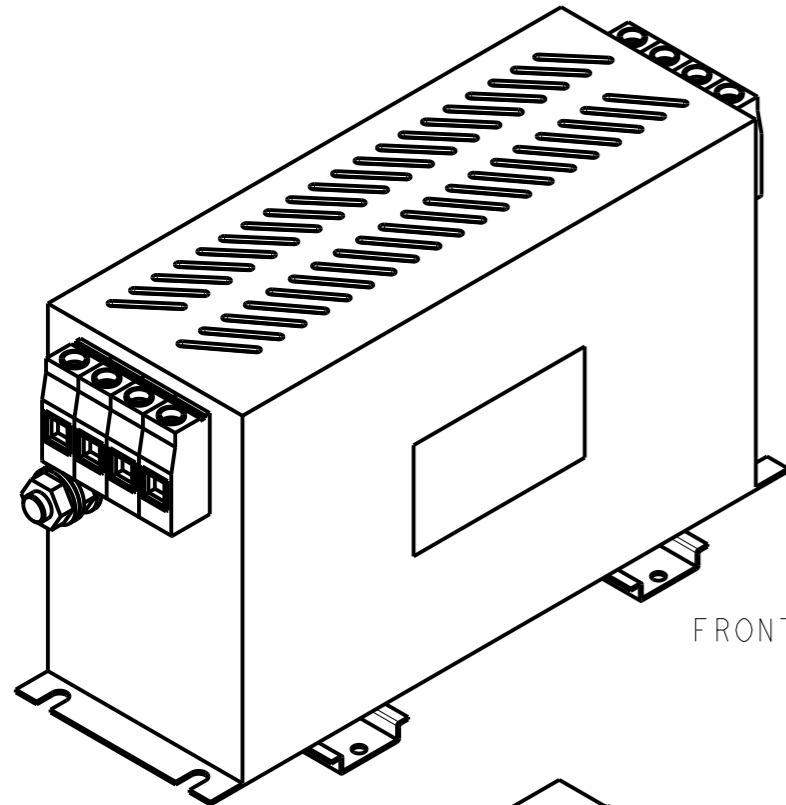
NOTE 1 GROUND CONNECTION:
 FOR ELECTRICAL SAFETY AND FILTER PERFORMANCE
 UNIT MUST HAVE A GOOD GROUND CONNECTION.
 TORQUE OUTER TERMINAL SCREW: 2Nm / 18 in.lbs
 TORQUE GROUND NUTS: 4-10Nm

NOTE 2 INPUT OUTPUT CONNECTION TERMINAL
 AWG SIZE: 8-4 AWG
 WIRE SECTION: 25 mm²
 THREADED BOLT SIZE FOR GROUND: M10

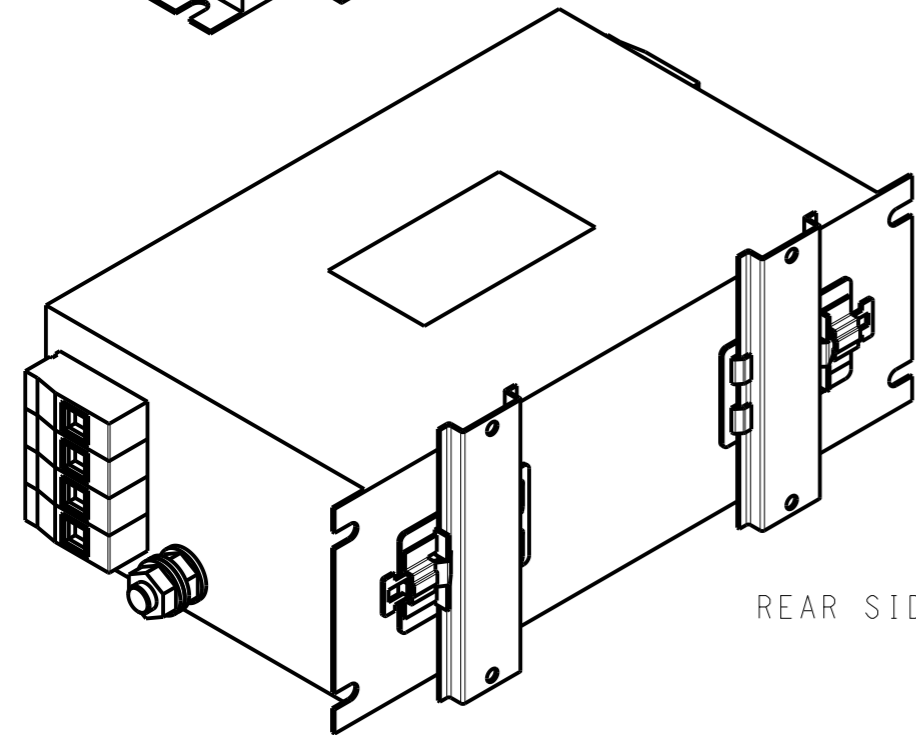
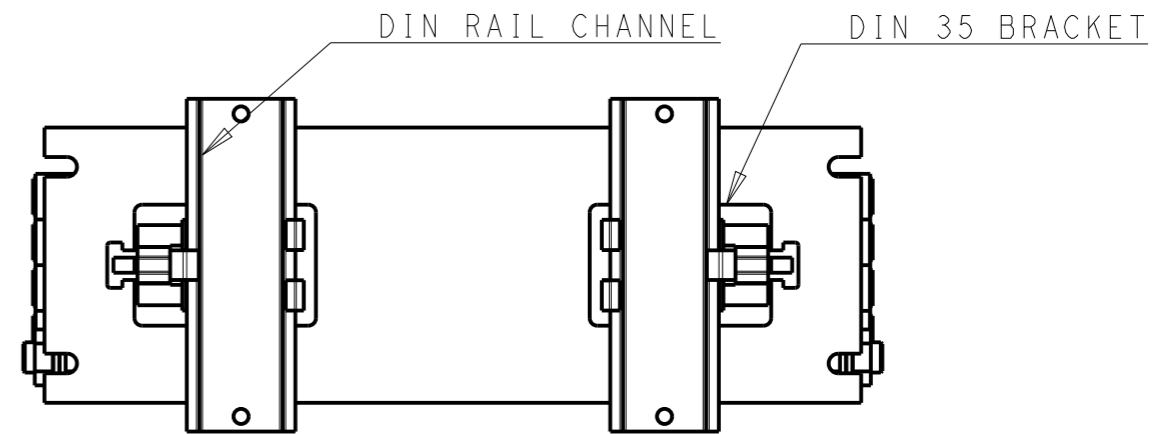
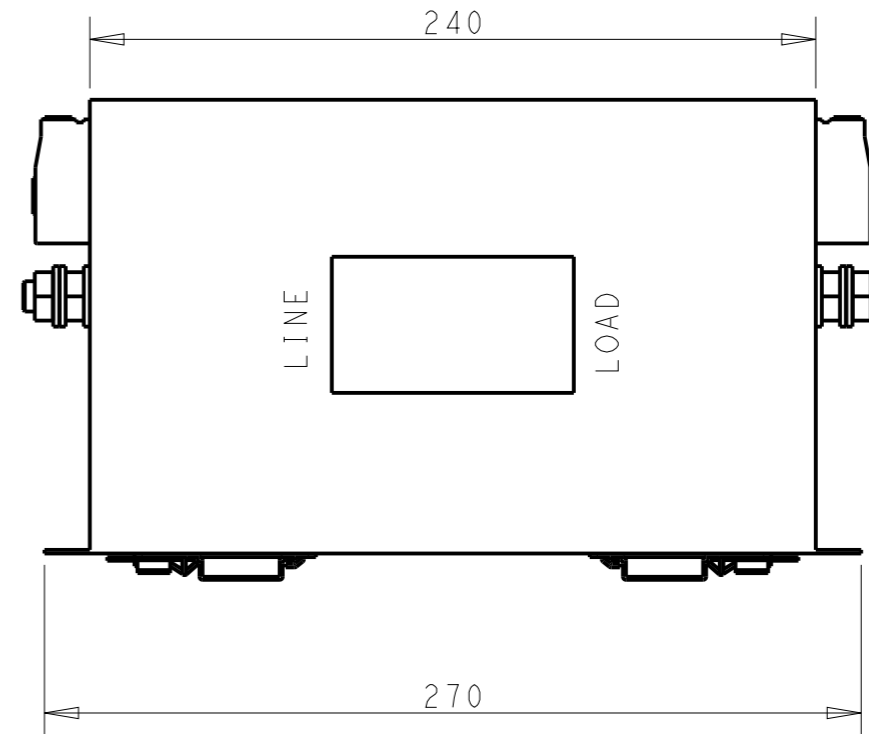
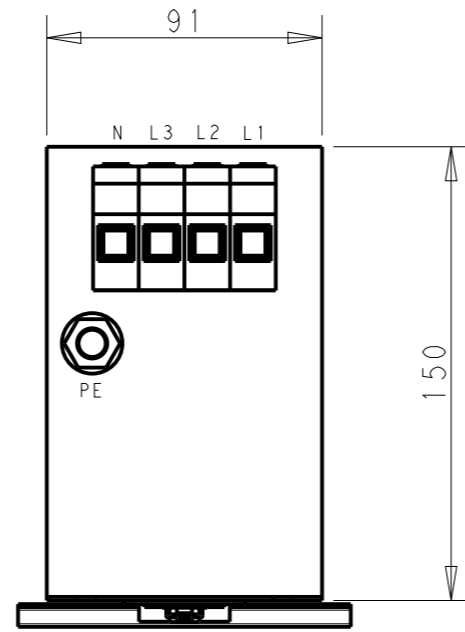
NOTE 3 SUPPLIED WITH DIN RAIL BRACKET

NOTE 4 DRAWINGS SHOWS DIN RAIL FOR REFERENCE ONLY

REVISIONS					
P	LTR	DESCRIPTION	DATE	DWN	APVD
		SEE SHEET 1			



FRONT SIDE



REAR SIDE

THIS DRAWING IS A CONTROLLED DOCUMENT.		DWN BAPAT SAHAS 19APR2021		
		CHK CHRIS BOLLE 19APR2021		
		APVD CHRIS BOLLE 19APR2021	NAME POWER LINE FILTER FOR DIN 35 RAIL INSTALLATION 100KEPS10BBSWHM	
DIMENSIONS: mm		TOLERANCES UNLESS OTHERWISE SPECIFIED:		PRODUCT SPEC -
		0 PLC	±0.5	APPLICATION SPEC -
		1 PLC	±0.40	WEIGHT -
MATERIAL -		2 PLC	±0.130	SIZE A300779
		3 PLC	±0.0500	CAGE CODE C-9-1609969-5
		4 PLC	±	DRAWING NO -
		ANGLES	±	RESTRICTED TO -
		FINISH -		SCALE 2:5
				SHEET 2 OF 2
				REV A