

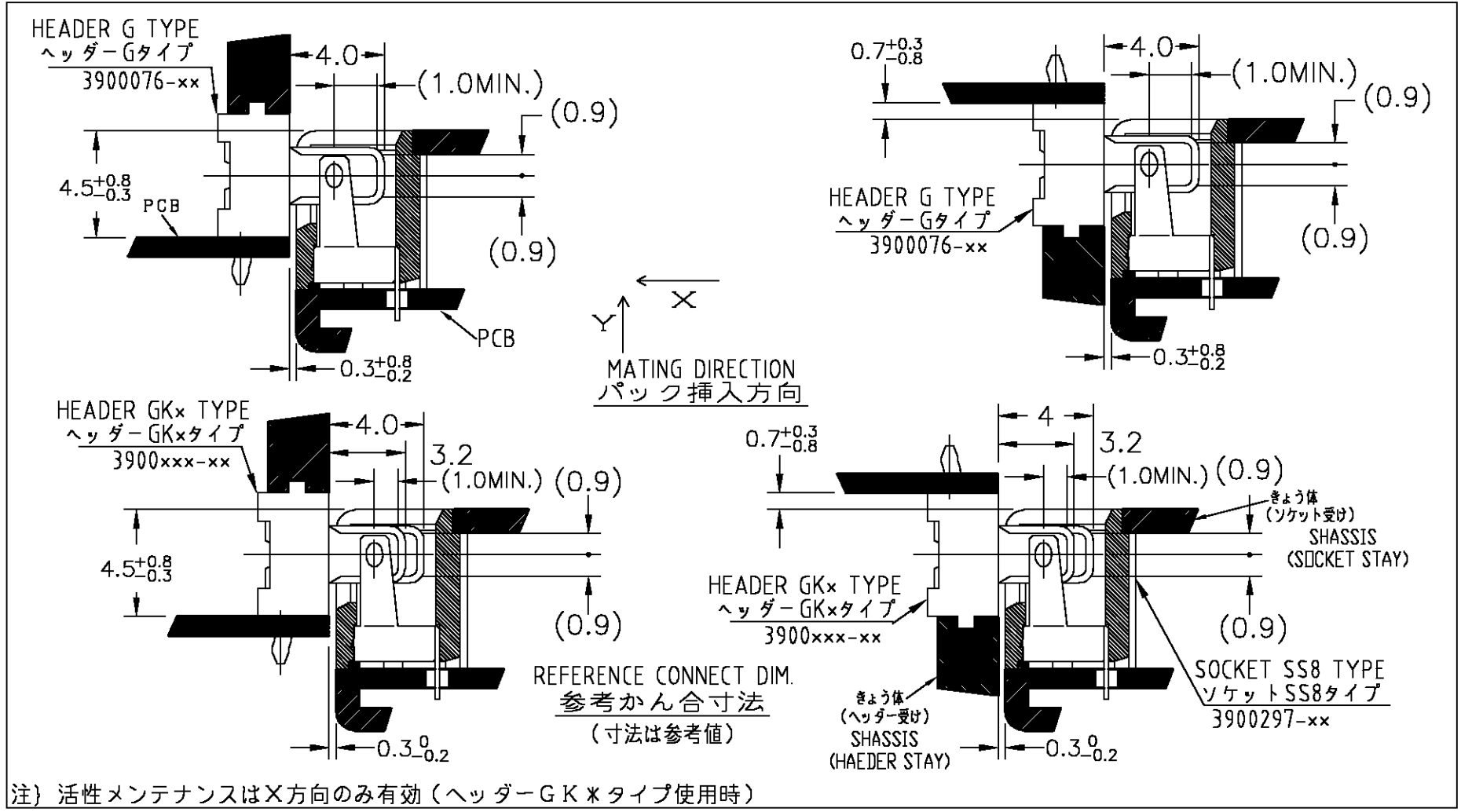
THIS DRAWING IS UNPUBLISHED. RELEASED FOR PUBLICATION  
 © COPYRIGHT BY TYCO ELECTRONICS CORPORATION. ALL RIGHTS RESERVED.

LOC	DIST	REVISIONS		
		P	LTR	DESCRIPTION
J	-	A		REVISED FJBO-0300-04
				DATE: 30APR04
				DWN: H.T
				APVD: K.I

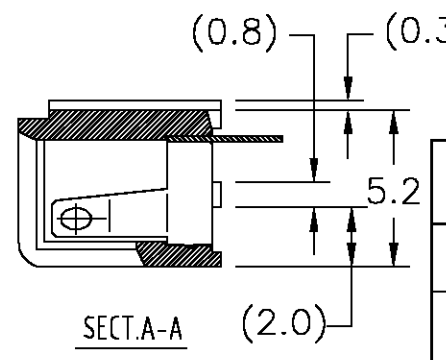
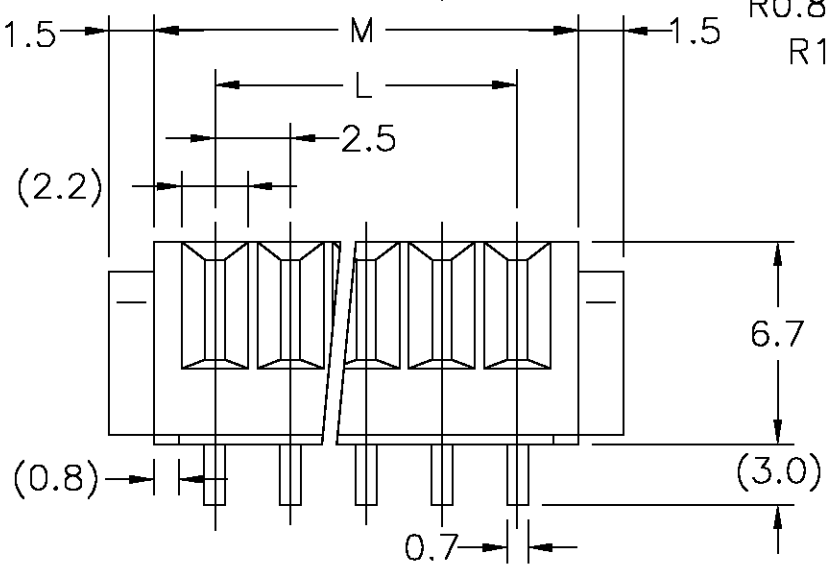
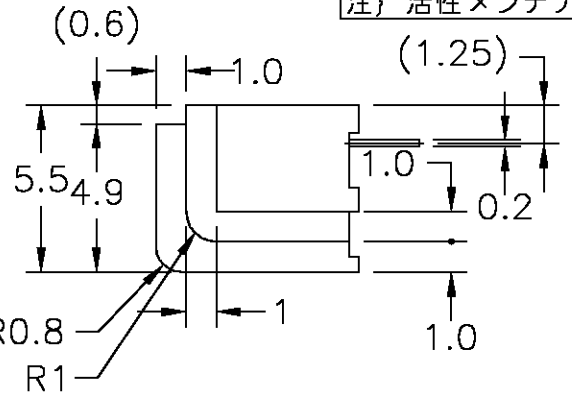
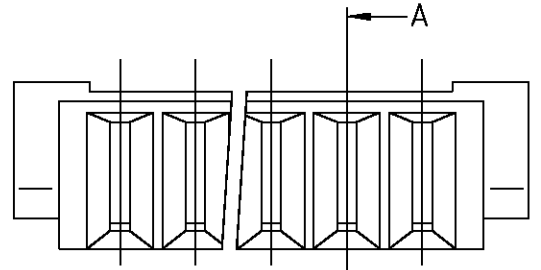
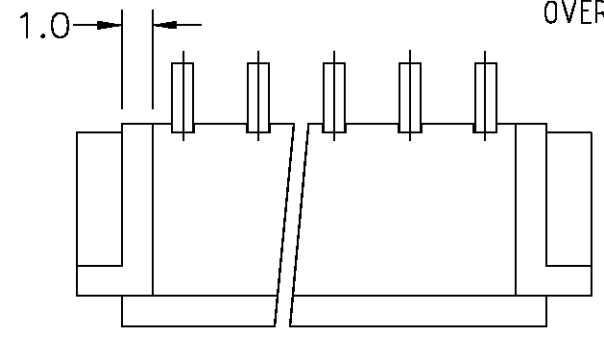
注記  
 1. 一般公差±0.3

△ 材質  
 ハウジング：熱可塑性樹脂，黒色  
 コンタクト：銅合金  
 全面：ニッケル下地めっき  
 接触部：金めっき 0.1μmMIN.  
 半田付け部：金フラッシュメッキ

NOTE.  
 1. GENERAL TOLERANCE : ±0.3  
 2. MATERIALS  
 HOUSING : THERMOPLASTIC, BLACK  
 CONTACT : COPPER ALLOY  
 0.1μmMIN. GOLD  
 OVER NICKEL PLATE (CONTACT AREA)  
 Au FLASH  
 OVER NICKEL PLATE (TAIL AREA)



注) 活性メンテナンスはX方向のみ有効 (ヘッダーGKxタイプ使用時)



9-1447142-0	3900297-06	6	12.5	16.5	REMARK
Part No.	Old Part No.	NO. OF POS.	L	M	
型番	旧型番	極数	寸法	SIZE	

THIS DRAWING IS A CONTROLLED DOCUMENT.

DWN	J.WATANABE	24APR01		Tyco Electronics AMP K.K.	
CHK	M.INOUE	24APR01		Kawasaki, Japan	
APVD	I.ENOMOTO	24APR01		BU CONNECTOR FS3 SOCKET SS8 TYPE	
PRODUCT SPEC	製品規格	108-78126	SIZE	CAGE CODE	DRAWING NO
APPLICATION SPEC	取付適用規格		A3	00779	C-9-1447142-0
MATERIAL	材料		WEIGHT		RESTRICTED TO
CUSTOMER DRAWING			SCALE	SHEET	REV
			NTS	1 OF 1	A