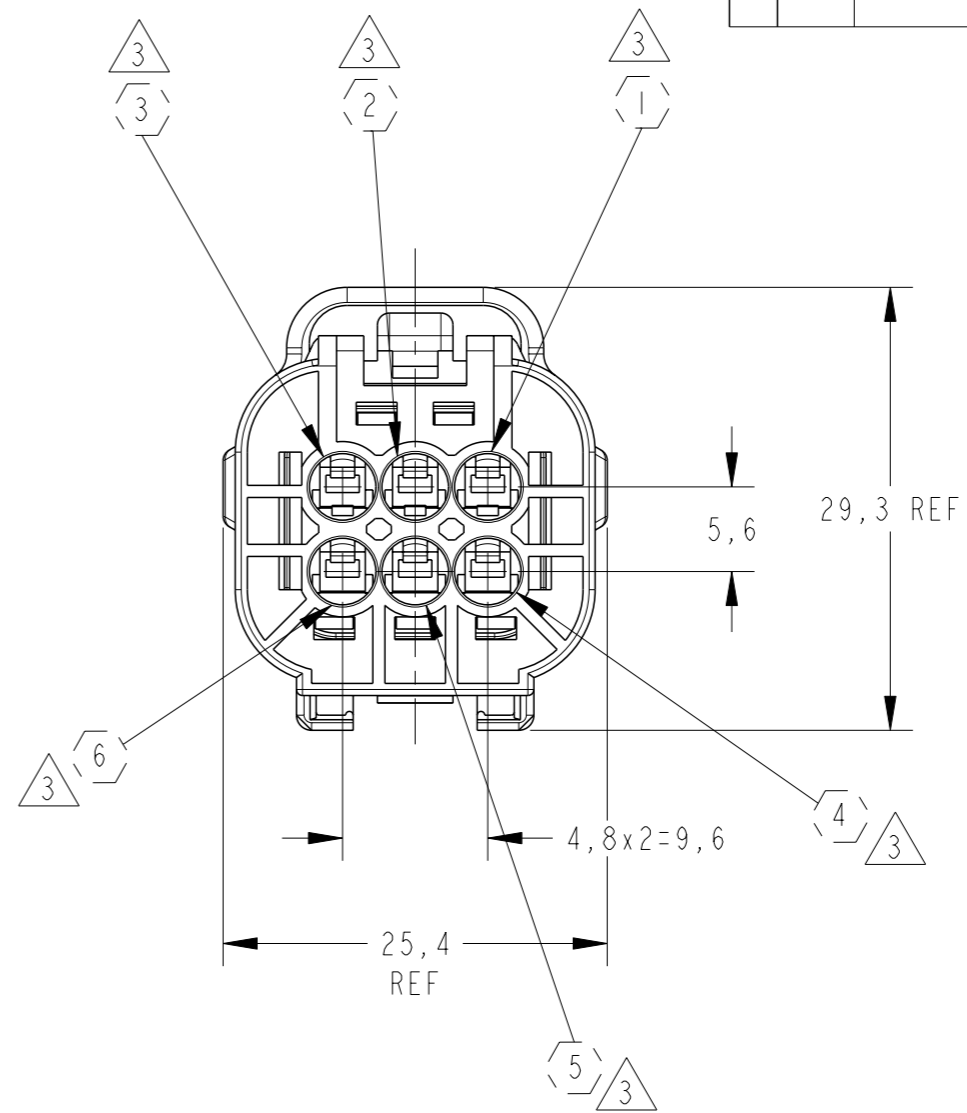
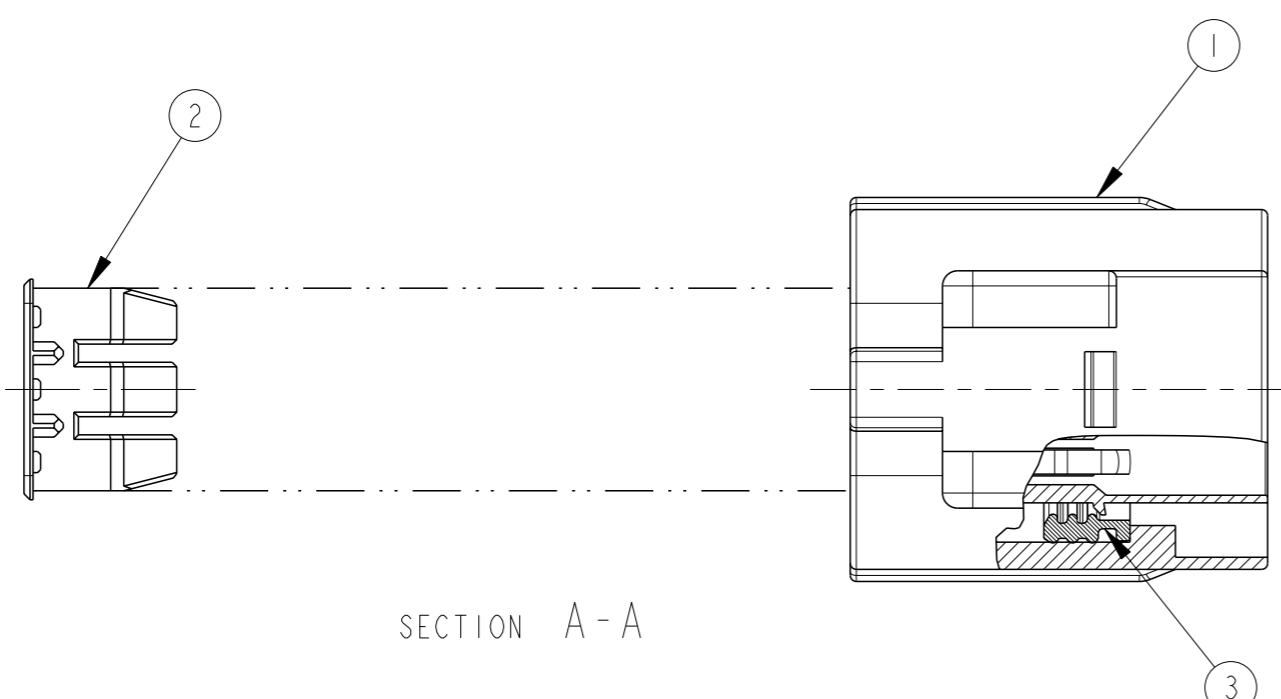
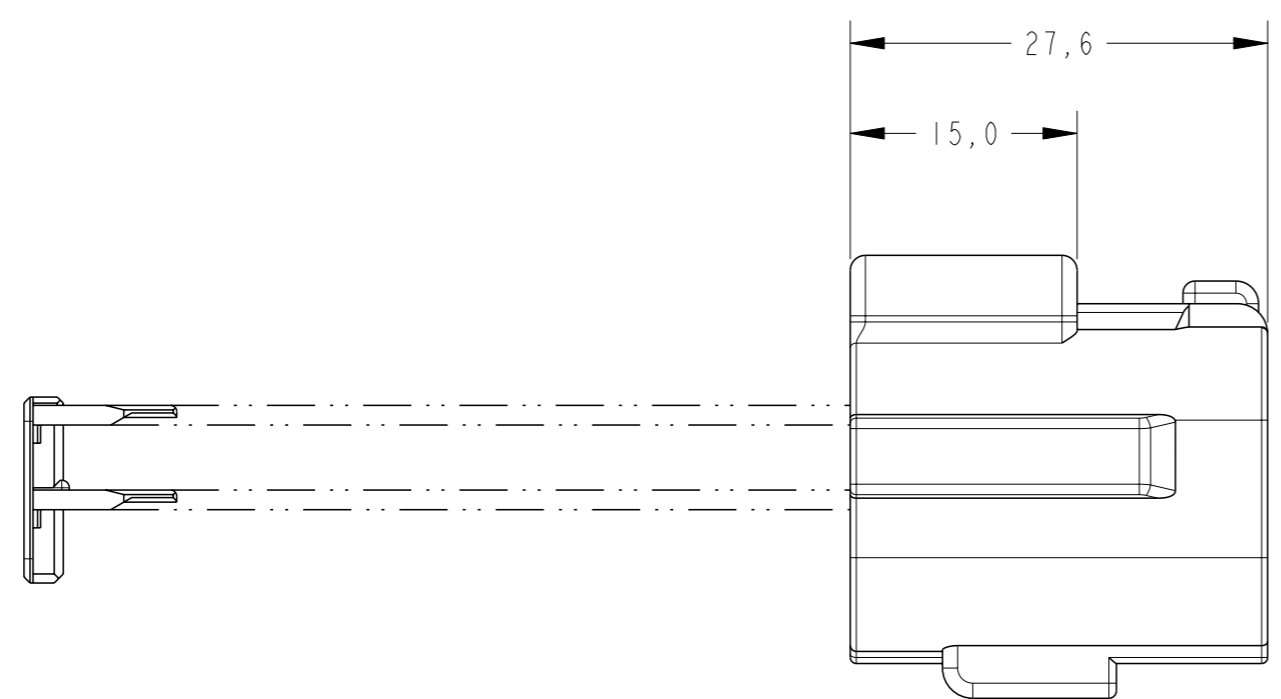


THIS DRAWING IS UNPUBLISHED. RELEASED FOR PUBLICATION 20
 © COPYRIGHT 20 ALL RIGHTS RESERVED.

REVISIONS					
P	LTR	DESCRIPTION	DATE	DWN	APVD
	C2	REVISED DESIGN ECO-12-009584	24MAY2012	NCL	GOJ



- 1 - OS ITENS 1 e 2 DEVEM SER FORNECIDOS DESMONTADOS.
- ITEMS 1 AND 2 MUST BE SUPPLIED NOT ASSEMBLED.
- 2 - OS ITENS 1 e 3 DEVEM SER FORNECIDOS MONTADOS.
- ITEMS 1 AND 3 MUST BE SUPPLIED ASSEMBLED.
- 3 - INDICAÇÃO DOS CIRCUITOS (3) SOMENTE ORIENTATIVO: NÃO CONSTAM COMO GRAVAÇÃO NA PEÇA FÍSICA.
- CIRCUIT INDICATION (3) IS ONLY ORIENTATIVE: DON'T HAVE MARKING IN THE PHYSICAL PART.
- 4 - CONTRA PEÇA: VER DESENHO PN.881778
- COUNTER PART: SEE DRAWING PN.881778

TERMINAIS RECOMENDADOS RECOMMENDED TERMINALS					
PART NUMBER	DESCRIÇÃO DESCRIPTION	WIRE RANGE	INSULATION RANGE	MATERIAL	ACABAMENTO FINISH
880694-1	TERMINAL 1.8 ECONOSEAL "J" SERIES MARK II + REC	0,5 TO 1,5mm ²	∅ 1,4 TO 2,0mm	LATÃO / BRASS	PRÉ-ESTANHADO/ PRE TIN
880694-2	TERMINAL 1.8 ECONOSEAL "J" SERIES MARK II + REC	0,5 TO 1,5mm ²	∅ 1,4 TO 2,0mm	BRONZE	PRÉ-ESTANHADO/ PRE TIN
880697-1	TERMINAL 1.8 ECONOSEAL "J" SERIES MARK II + REC	0,5 TO 1,5mm ²	∅ 1,4 TO 2,4mm	LATÃO / BRASS	PRÉ-ESTANHADO/ PRE TIN
880697-2	TERMINAL 1.8 ECONOSEAL "J" SERIES MARK II + REC	0,5 TO 1,5mm ²	∅ 1,4 TO 2,4mm	BRONZE	PRÉ-ESTANHADO/ PRE TIN
880697-3	TERMINAL 1.8 ECONOSEAL "J" SERIES MARK II + REC	0,5 TO 1,5mm ²	∅ 1,4 TO 2,4mm	LATÃO / BRASS	PRÉ-PRATEADO / PRE SILVER
880698-1	TERMINAL 1.8 ECONOSEAL "J" SERIES MARK II + REC	1,0 TO 1,5mm ²	∅ 1,4 TO 2,4mm	LATÃO / BRASS	PRÉ-ESTANHADO/ PRE TIN
880698-2	TERMINAL 1.8 ECONOSEAL "J" SERIES MARK II + REC	1,0 TO 1,5mm ²	∅ 1,4 TO 2,4mm	BRONZE	PRÉ-ESTANHADO/ PRE TIN

SELOS RECOMENDADOS RECOMMENDED					
PART NUMBER	DESCRIÇÃO DESCRIPTION	WIRE RANGE	INSULATION RANGE	MATERIAL	ACABAMENTO FINISH
172748-1	SINGLE WIRE SEAL	CAVITY PLUG	CAVITY PLUG	SILICONE / SILICON	PRETO / BLACK
172748-2	SINGLE WIRE SEAL	CAVITY PLUG	CAVITY PLUG	SILICONE / SILICON	CINZA / GRAY
444430-1	SINGLE WIRE SEAL	0,5 TO 1,5mm ²	∅ 1,4 TO 2,4mm	SILICONE / SILICON	MARROM / BROWN

3	SEAL RING	SILICONE/SILICON	PRETO/BLACK	
2	DOUBLE LOCK, 6POSN, ECONOSEAL "J" MARK II	PBT	AMARELO/YELLOW	
1	PLUG HSG. 6POSN, ECONOSEAL "J" MARK II	PBT	PRETO/BLACK	
REQ. PER ASSY	ITEM	DESCRIPTION	MATERIAL	FINISH
881779				

THIS DRAWING IS A CONTROLLED DOCUMENT.		DWN R.K.S.T.I.E.M.E. 21 JAN 2008	TE Connectivity KIT ECONOSEAL "J" 6 POSN.			
DIMENSIONS: mm		CHK MGLSOLDI 01MAR2011				
TOLERANCES UNLESS OTHERWISE SPECIFIED:		APVD DAOLIVEIRA 01MAR2011				
0 PLC ± 1 PLC ±0.3 2 PLC ± 3 PLC ± 4 PLC ± ANGLES ±1° FINISH		NAME				
MATERIAL	SEE TABLE	APPLICATION SPEC	SIZE	CAGE CODE	DRAWING NO	RESTRICTED TO
		PRODUCT SPEC	A2	00779	C-881779	
		WEIGHT	SCALE		SHEET	OF
		CUSTOMER DRAWING	1:1		1	1
						REV C2

