

THIS DRAWING IS UNPUBLISHED. RELEASED FOR PUBLICATION
 © COPYRIGHT 1999 BY TYCO ELECTRONICS CORPORATION. ALL RIGHTS RESERVED.

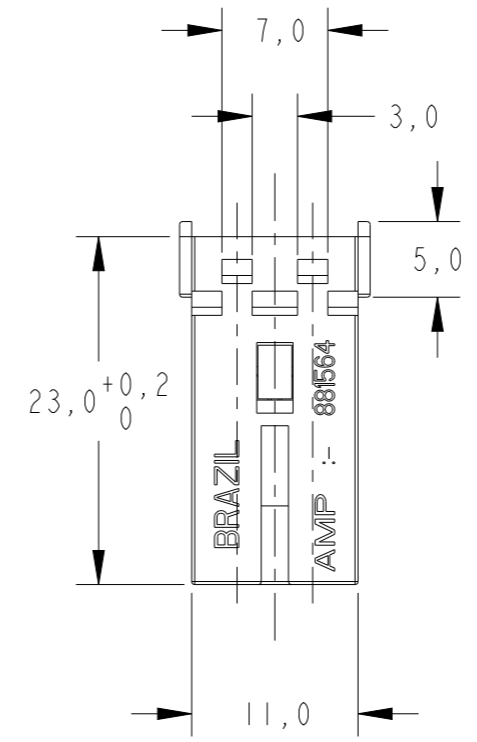
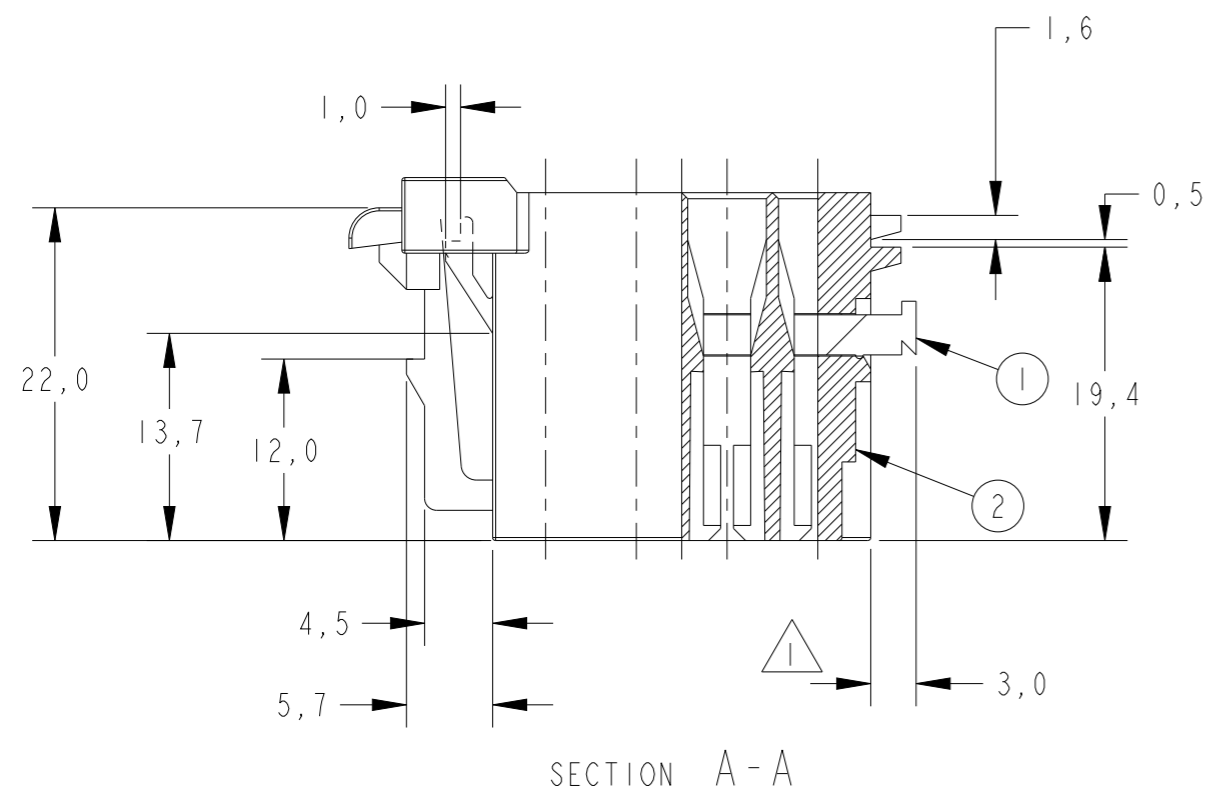


DO NOT REVISE EXCEPT BY CAD

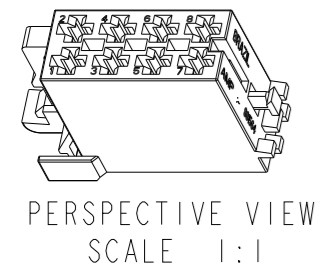
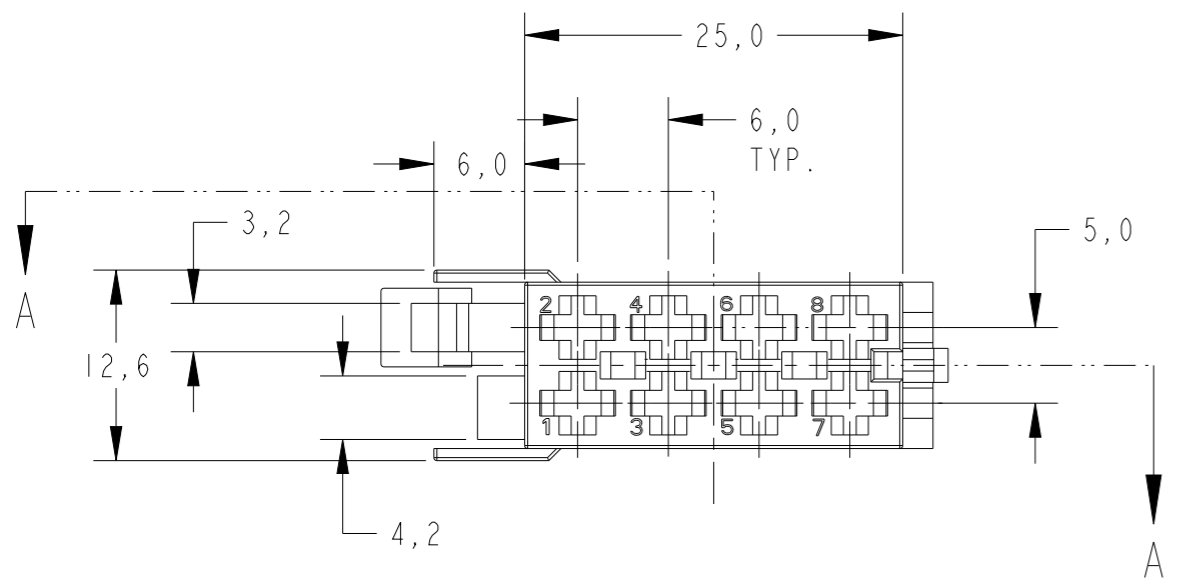
LOC AP DIST -

REVISIONS

| P | LTR | DESCRIPTION | DATE | DWN | APVD |
|----|-----|----------------------------|-----------|-----|------|
| D | | REDRAW BY CAD EC-435/99 | 29SEP99 | NCL | PLF |
| E | | REVISED BY EC LB00-0212-02 | 21AUG02 | MAS | PLF |
| EI | | REVISED BY ECN-24-254209 | 29FEB2024 | AGS | WTS |



| GRAVAÇÃO MARKING |
|---|
| LOGOTIPO AMP AMP LOGO |
| CÓDIGO PAÍS PRODUTOR MANUFACTURER COUNTRY CODE |
| NÚMERO COMPONENTE AMP AMP COMPONENT NUMBER |
| NÚMERO CAVIDADE CAVITY NUMBER |
| IDENTIFICAÇÃO CIRCUITO CIRCUIT IDENTIFICATION |
| PAÍS PRODUTOR MANUFACTURER COUNTRY |



NOTA:

- POSIÇÃO ABERTA DA TRAVA DE SEGURANÇA.
- OPENING POSITION OF THE DOUBLE LOCKING.

| REQ. PER ASSY | ITEM | DESCRIPTION | MATERIAL | FINISH |
|---------------|------|-----------------------------------|--------------------|----------------|
| | 1 | HOUSING, 8 POSN., JUNIOR P. TIMER | P.A 6.6 | PRETO/BLACK |
| | 1 | SPACER, 8 POSN., JUNIOR P. TIMER | P.A 6.6 + 13%FV/GF | AMARELO/YELLOW |
| 881565 | -1 | | | |

| | | | |
|---|--|--|---|
| <small>THIS DRAWING IS A CONTROLLED DOCUMENT FOR TYCO ELECTRONICS CORPORATION IT IS SUBJECT TO CHANGE AND THE CONTROLLING ENGINEERING ORGANIZATION SHOULD BE CONTACTED FOR THE LATEST REVISION.</small> | | DWN 09SEP99 N.C. LAPRESA | AMP do Brasil LTDA. São Paulo, Brasil |
| DIMENSIONS: mm | | CHK 29SEP99 P.L. FARIA | |
| TOLERANCES UNLESS OTHERWISE SPECIFIED: 0 PLC ± 1 PLC ±0,3 2 PLC ± 3 PLC ± 4 PLC ± ANGLES ±1° FINISH | | APVD 31JAN00 L.G. DAUTO | NAME HOUSING, 8 POSN., ASSY. JUNIOR POWER TIMER |
| MATERIAL SEE TABLE | | PRODUCT SPEC - APPLICATION SPEC - WEIGHT - | SIZE A3 CAGE CODE 00779 DRAWING NO C-881565 RESTRICTED TO - |
| | | CUSTOMER DRAWING SCALE 2:1 SHEET 1 OF 1 REV EI | |