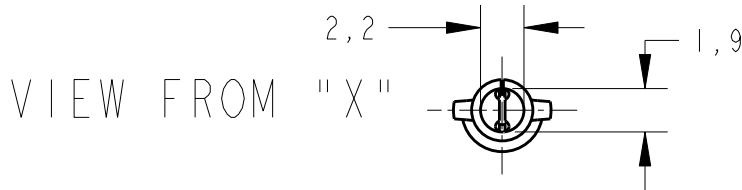
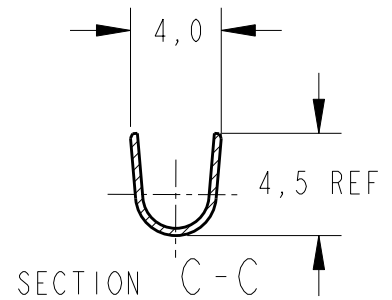
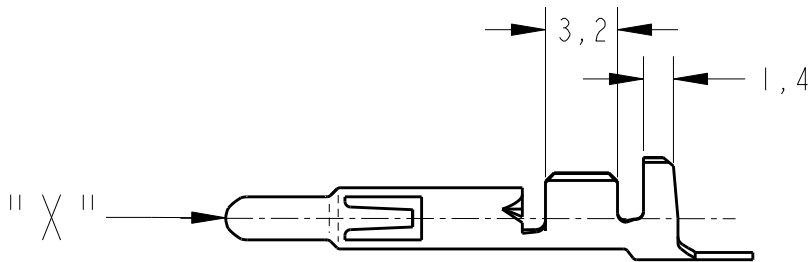
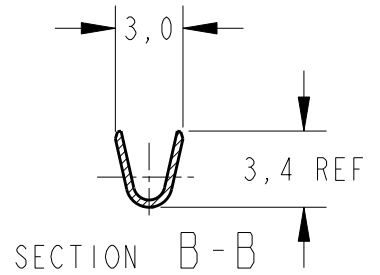
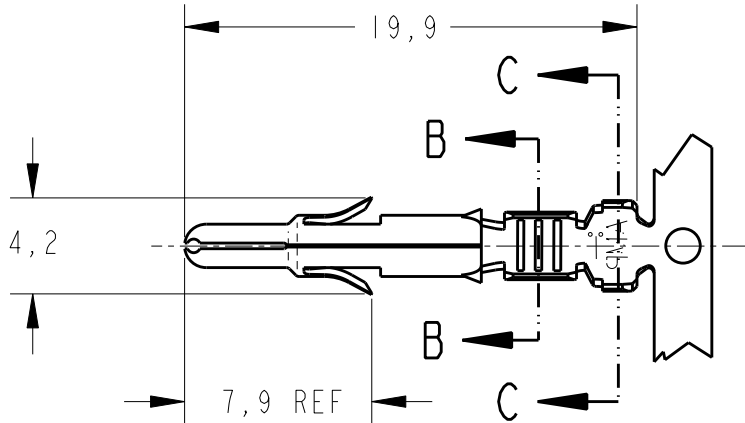



LOC	DIST	REVISIONS			
P	LTR	DESCRIPTION	DATE	DWN	APVD
AP	-	E1	REV. BY ECO 12-001956	31 JAN 2012	HC WLS



$\triangle 2$ - SUPERSEDED BY PN-926887-3

—	POST TIN PLATED	BRASS/LATÃO	881109-3
—	TIN PLATED/ESTANHADO	PH. BRONZE/BRONZE FOSF.	881109-2 $\triangle 2$
350705-1	TIN PLATED/ESTANHADO	BRASS/LATÃO	881109-1
LOOSE PIECE	FINISH	MATERIAL	PART NUMBER

DIMENSIONS: mm	DWN H.C. CANTERI	27MAY2004	MATERIAL	-	FINISH	-
	CHK W.L. STEFANI	27MAY2004	 TE Connectivity			
TOLERANCES UNLESS OTHERWISE SPECIFIED:	APVD	-				
	0 PLC \pm	PRODUCT SPEC	-			
1 PLC $\pm 0,4$	INS. - DIA 3,30mm	-				
2 PLC \pm	APPLICATION SPEC	-				
3 PLC \pm	WIRE - RANGE 20/14AWG	SIZE	CAGE CODE	DRAWING NO	RESTRICTED TO	
4 PLC \pm	WEIGHT -	A 4	00779	C-881109	-	
ANGLES $\pm 1^\circ$	CUSTOMER DRAWING	SCALE	-	SHEET	1 OF 1	REV E1

20

RELEASED FOR PUBLICATION

THIS DRAWING IS UNPUBLISHED.

ALL RIGHTS RESERVED.

© COPYRIGHT 20