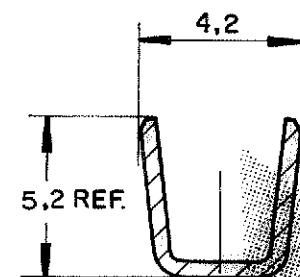
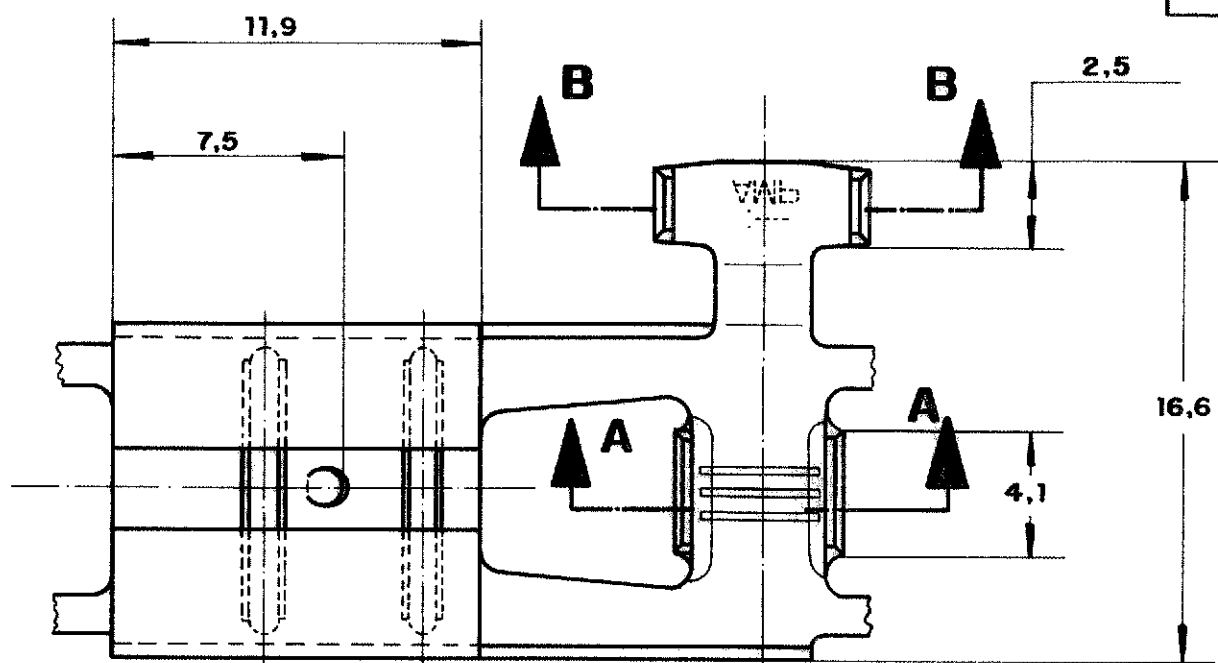


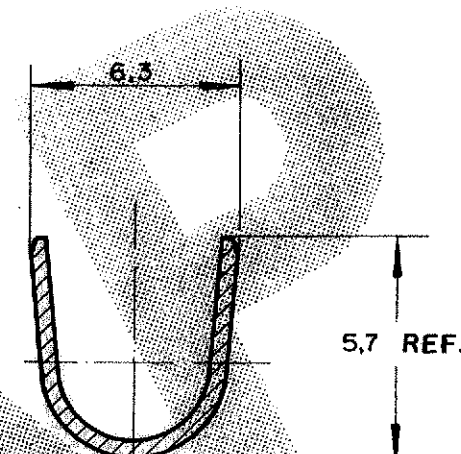
DO NOT SCALE
DIMENSIONS IN mm

METRIC

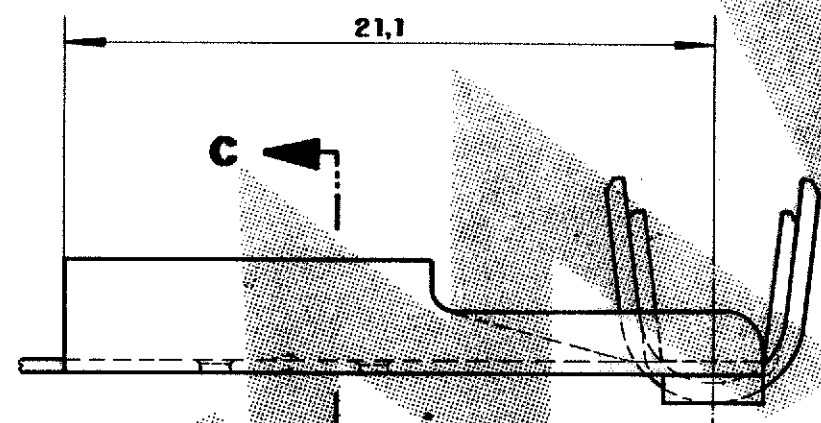
3rd ANGLE PROJECTION



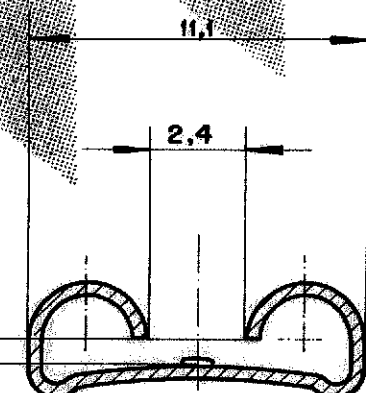
SEÇÃO A-A



SEÇÃO B-B

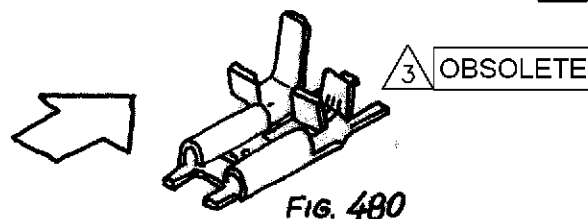


SEÇÃO C-C

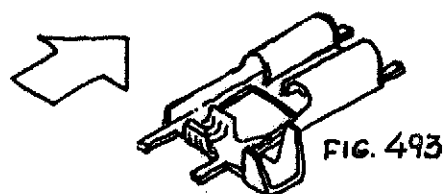


P/LINGUETA DE 1,2 ESP.

1 REELING DIRECTION 107.3 FIG. 480
OBSOLETE 3



2 REELING DIRECTION 107.3 FIG. 493



3 OBSOLETE PARTS

SL 101.61	ESTANHADO	LATÃO	2 881006-3
SL 101.61	ESTANHADO	LATÃO	1 881006-2
		LATÃO	1 881006-1
OTHER TREATMENT	FINISH	MATERIAL	PART NUMBER
CUSTOMER DWG for REFERENCE ONLY		THIS DRAWING IS UNPUBLISHED - RELEASED FOR PUBLICATION © COPYRIGHT 1983 BY AMP DO BRASIL LTDA S.P. ALL INTERNATIONAL RIGHTS RESERVED AMP PRODUCTS MAY BE COVERED BY U.S. AND FOREIGN PATENTS AND/OR PATENTS PENDING.	
TOLERANCES UNLESS OTHERWISE STATED DEC. ± 0,3 ANGLES ± 1°		INS. DIA RANGE 3,3 - 4,5 mm	WIRE RANGE 2,5 - 4,0 mm ²
DR. <i>[Signature]</i> OCT. 24. 83.		AMP AMP do BRASIL LTDA. São Paulo, Brasil	
B2 REV. BY ECO 17-012257 HC WLS 21AUG17		DESCRIPTION FLAG FASTON .375 S.	
B1 REV PER ECO-09-026444 KK AEG 27NOV09		DWG NO A3 C 881006	
B REV. BY ECO 06-021242 H.C H.C 06-09-06		SHEET 1 OF 1	
A REVISADO PAULOB 13-11-86			
O WAS P.83-29472 2101-84			
ISS	REVISION	RECORD	DR
			CHK
			DATE
			APP

C 881006

C

B

A

8 7 6 5 4 3 2 1