

4

3

2

1

THIS DRAWING IS UNPUBLISHED. RELEASED FOR PUBLICATION

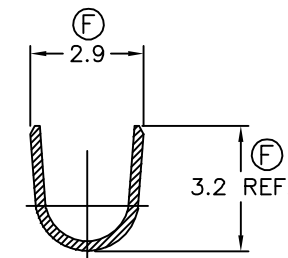
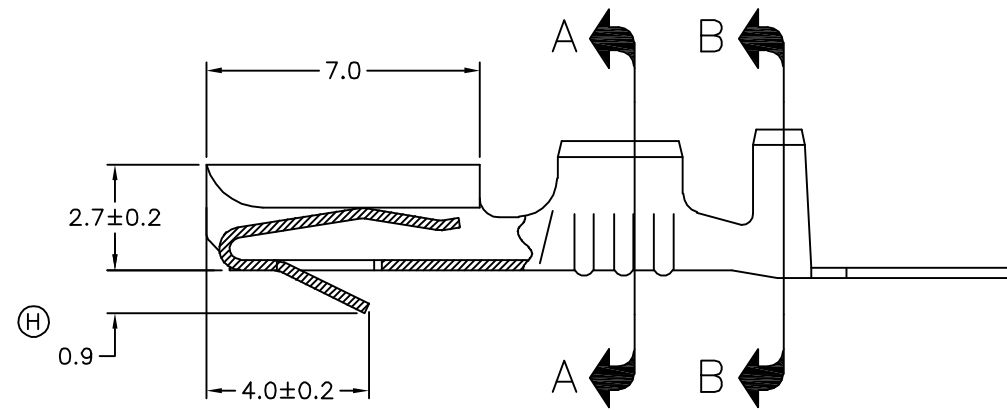
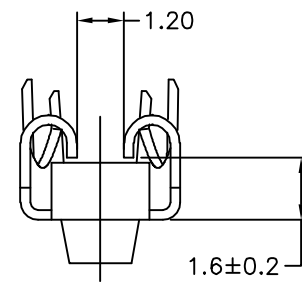
© COPYRIGHT BY TYCO ELECTRONICS CORPORATION. ALL INTERNATIONAL RIGHTS RESERVED.

CAD AutoCAD DO NOT REVISE EXCEPT BY CAD

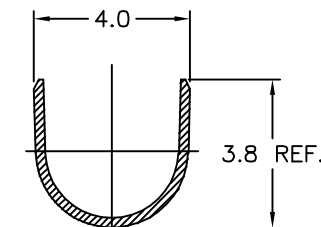
LOC AP DIST -

P		LTR	DESCRIPTION	DATE	DWN	APVD
	G		REVISED ECO-06-002513	31MAR06	NCL	PLF
	H		REVISED BY ECO-11-000071	04JAN11	NCL	ASV

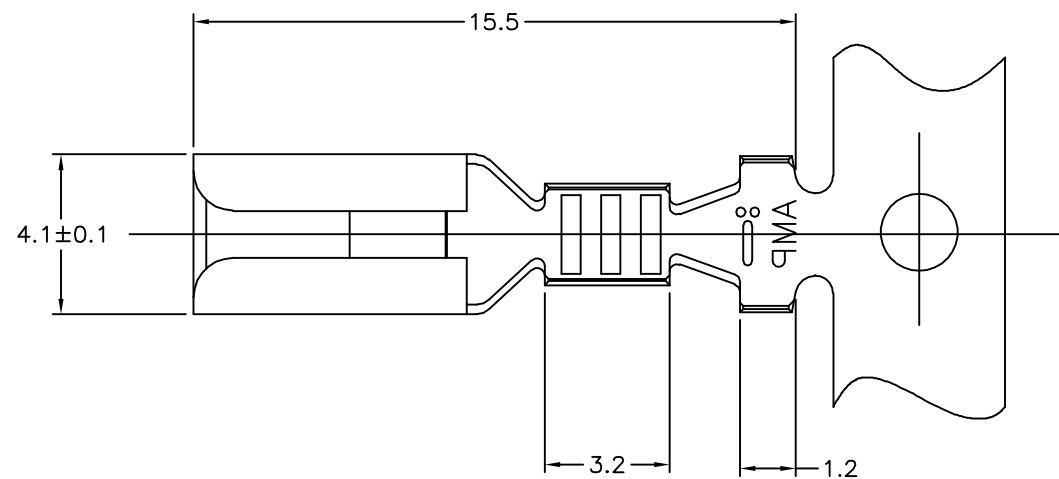
DO NOT SCALE



SECÇÃO A-A SECTION A-A



SECÇÃO B-B SECTION B-B



NOTAS NOTES

- 1 - FORÇA DE INSERÇÃO: DE 0,6 A 2,5 kgf  
INSERCTION FORCE: 0.6 TO 2.5 kgf
- 2 - FORÇA DE EXTRAÇÃO ATÉ O QUINTO CICLO: 0,4 A 1,0 kgf  
EXTRACTION FORCE UP 5th CYCLE: 0.4 TO 1.0 kgf

ESTANHO SOBRE NÍQUEL / TIN OVER NICKEL		LATÃO/BRASS	0-880622-2
----/----		LATÃO/BRASS	0-880622-1
ACABAMENTO/FINISH		MATERIAL	PART NUMBER
THIS DRAWING IS A CONTROLLED DOCUMENT.		DWN H.LIVERARO 02OCT00	Tyco Electronics Corporation São Paulo, Brasil
		CHK P.L.FARIA 04OCT00	
DIMENSIONS: mm		APVD J.M.M.NETO 04OCT00	NAME - TERMINAL REC. FOR SPECIAL TAB -
TOLERANCES UNLESS OTHERWISE SPECIFIED:		PRODUCT SPEC 108-37015	
0 PLC ± -		APPLICATION SPEC 114-02025	SIZE A3
1 PLC ± 0.3		WEIGHT --/--	
2 PLC ± -		CAGE CODE 00779	DRAWING NO C=880622
3 PLC ± -		RESTRICTED TO -	
4 PLC ± -		SCALE 5:1	
ANGLES ± 1		SHEET 1 of 1	
FINISH		REV H	
WIRE RANGE: 0,5 - 1,25 (mm <sup>2</sup> )		CUSTOMER DRAWING	
INSULATION RANGE: 1,7 - 2,7 Ø mm			
MATERIAL VER TABELA SEE TABLE			
FINISH VER TABELA SEE TABLE			