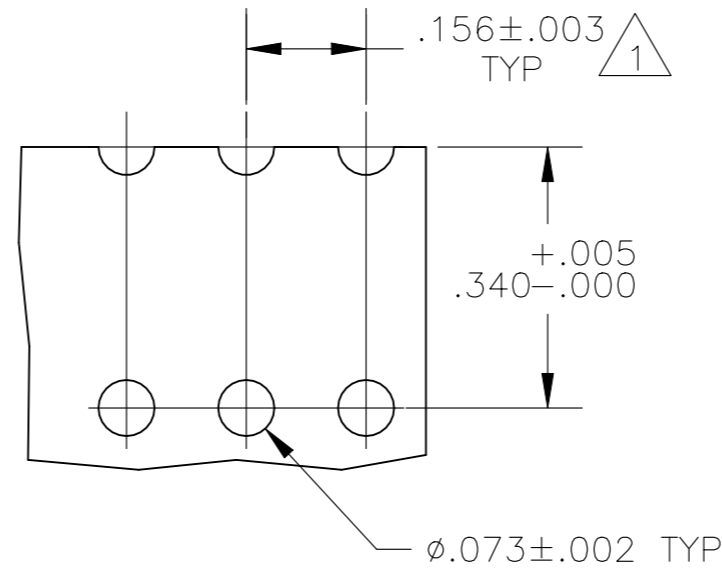
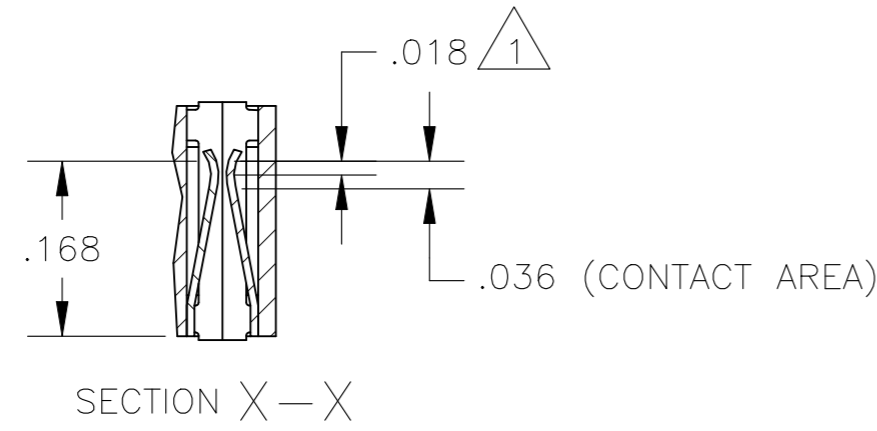
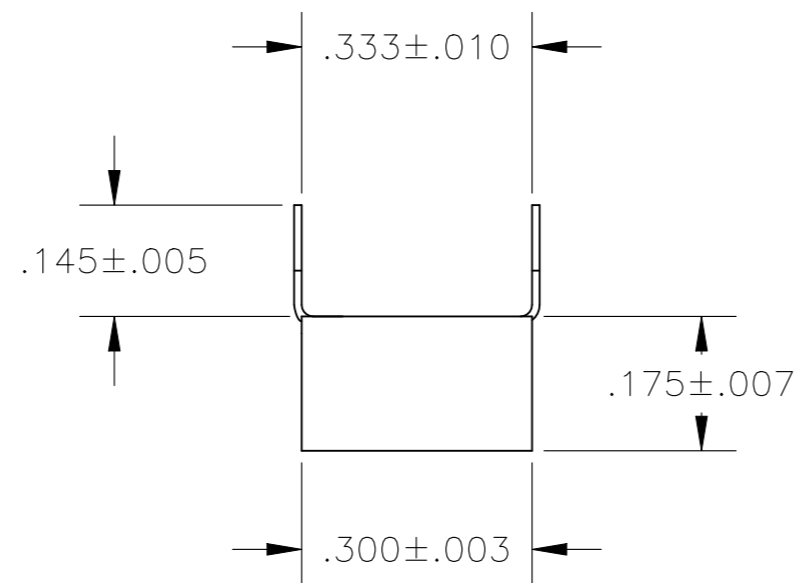
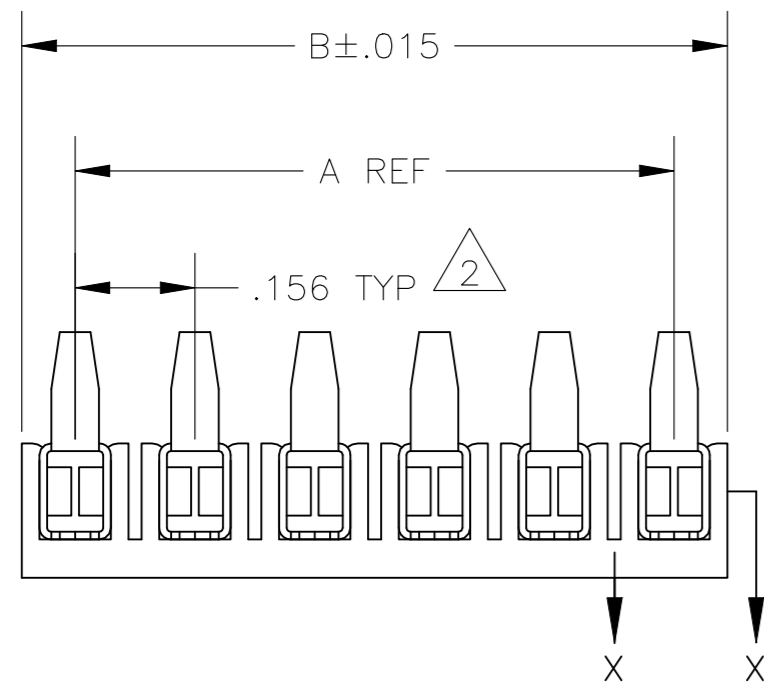
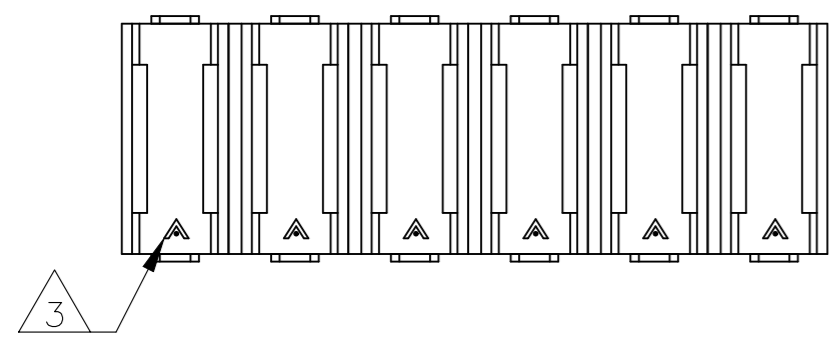


REVISIONS				
P	LTR	DESCRIPTION	DATE	DWN APVD
N		RESIN SUPPLIER CHANGE FOR THE HOUSING	10MAY2022	SCB PS



- 1 POINT OF MEASUREMENT FOR PLATING THICKNESS (INSIDE OF BEAMS).
- 2 TOLERANCE NON-CUMULATIVE.
- 3 THE MATING END OF THE CONTACT IS IDENTIFIED BY THE LETTER "A" STAMPED ON THE RECEPTACLE BOX.
- 4 OBSOLETE PARTS: OBSOLETE CIS STREAMLINING PER D.RENAUD/D.SINISI

RECOMMENDED BOARD MOUNTING
(RECOMMENDED BOARD THICKNESS: .055-.103)



SIZE	CAGE CODE	DRAWING NO	RESTRICTED TO
3.120	2.964	20	-2-87995-0-
2.964	2.808	19	-1-87995-9-
2.808	2.652	18	-1-87995-8-
2.652	2.496	17	-1-87995-7-
2.496	2.340	16	-1-87995-6-
2.340	2.184	15	-1-87995-5-
2.184	2.028	14	-1-87995-4-
2.028	1.872	13	-1-87995-3-
1.872	1.716	12	-1-87995-2-
1.716	1.560	11	-1-87995-1-
1.560	1.404	10	-1-87995-0-
1.404	1.248	9	-87995-9-
1.248	1.092	8	-87995-8-
1.092	.936	7	-87995-7-
.936	.780	6	-87995-6-
.780	.624	5	-87995-5-
.624	.468	4	87995-4
.468	.312	3	-87995-3-
.312	.156	2	87995-2
B	A	NO OF POSN	ASSEMBLY PART NUMBER

THIS DRAWING IS A CONTROLLED DOCUMENT.

DIMENSIONS: INCHES	TOLERANCES UNLESS OTHERWISE SPECIFIED:	DWN L A MAYER 17MAR86					
	0 PLC ± -	CHK P deJONG 17MAR86					
	1 PLC ± -	APVD P deJONG 17MAR86					
	2 PLC ± -	PRODUCT SPEC 108-25,016					
	3 PLC ± .005	APPLICATION SPEC 114-25,004					
MATERIAL HOUSING-FLAME RETARDANT THERMOPLASTIC, COLOR-BLACK	FINISH CONTACTS: .000079 MIN TIN	WEIGHT -	<table border="1"> <tr> <td>SIZE A2</td> <td>CAGE CODE -</td> <td>DRAWING NO C=87995</td> <td>RESTRICTED TO -</td> </tr> </table>	SIZE A2	CAGE CODE -	DRAWING NO C=87995	RESTRICTED TO -
SIZE A2	CAGE CODE -	DRAWING NO C=87995	RESTRICTED TO -				

CUSTOMER DRAWING SCALE 4:1 SHEET 1 OF 1 REV N