

4

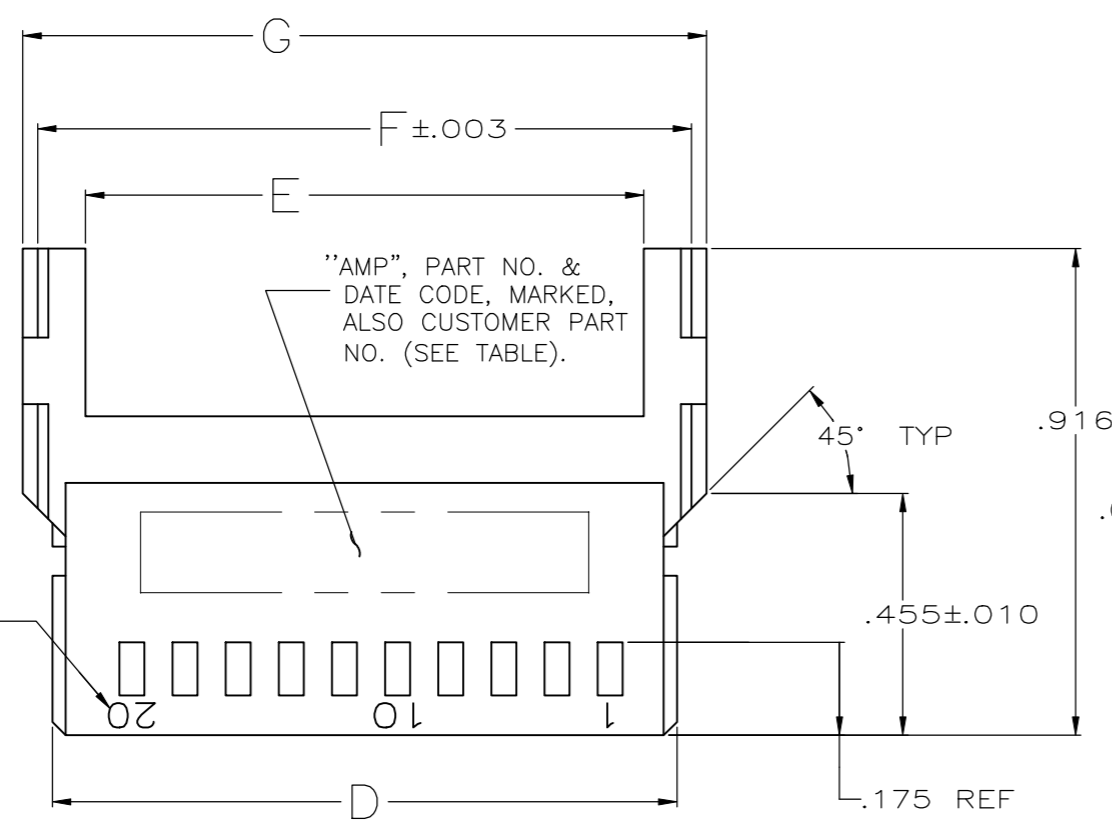
3

2

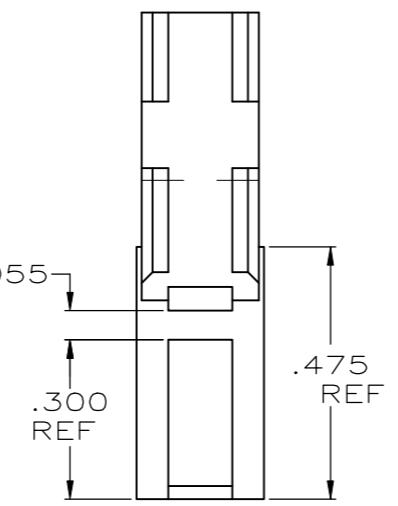
1

THIS DRAWING IS UNPUBLISHED. RELEASED FOR PUBLICATION  
 © COPYRIGHT - TE Connectivity Ltd. ALL RIGHTS RESERVED.

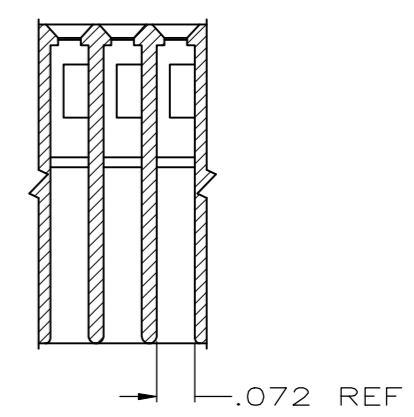
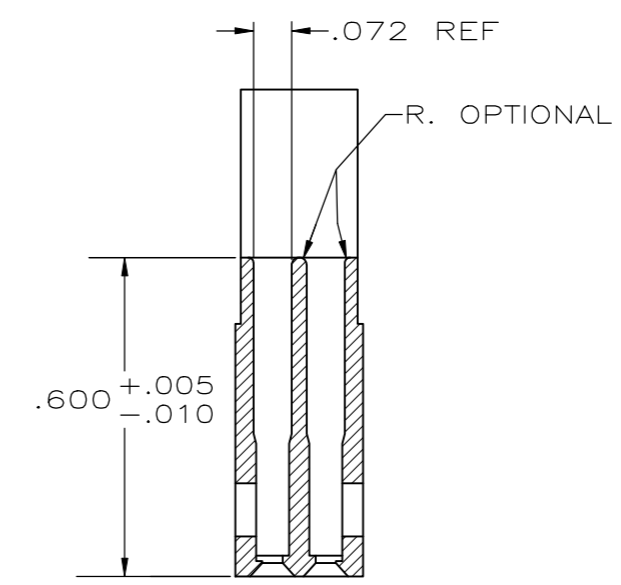
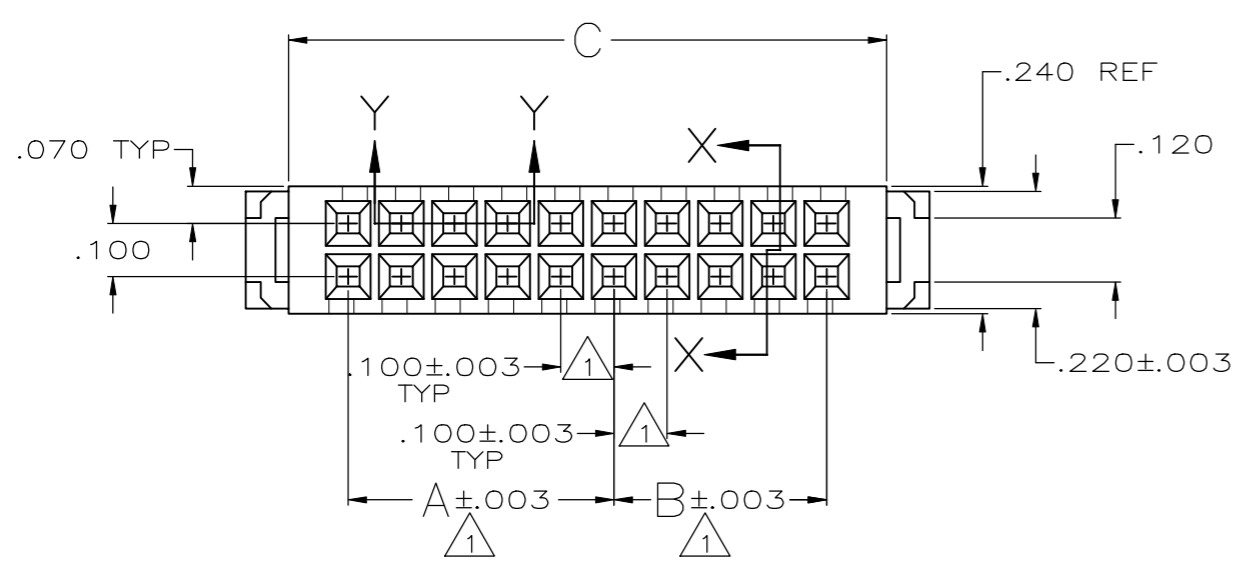
| REVISIONS |     |                           |           |       |
|-----------|-----|---------------------------|-----------|-------|
| P         | LTR | DESCRIPTION               | DATE      | APVD  |
| E         |     | REVISED PER ECO-18-000976 | 28MAY2018 | RS JO |



- 1 CAVITY LOCATION DIMENSIONS INCREASE IN INCREMENTS OF .100 TOLERANCE NON-CUMULATIVE.
- 2 USE EXTRACTION TOOL 91052-1 TO REMOVE REC'P. CONTACTS.



MARKED EVERY FIFTH CAVITY, ONE SIDE



SECTION X-X SECTION Y-Y  
 ROTATED 90° C'CLOCKWISE

|                          |                   |       |       |       |       |       |      |      |             |                 |
|--------------------------|-------------------|-------|-------|-------|-------|-------|------|------|-------------|-----------------|
| 87859-2                  | 97942-583R884-H01 | 1.286 | 1.230 | 1.050 | 1.175 | 1.125 | .400 | .500 | 20          | 87859-1         |
| AS MOLDED P/N (UNMARKED) | CUSTOMER PART NO. | G     | F     | E     | D     | C     | B    | A    | NO. OF POS. | PART NO. MARKED |

THIS DRAWING IS A CONTROLLED DOCUMENT.

|  |           |  |
|--|-----------|--|
| DWN  | 28MAY2018 | <br>TE Connectivity  |
| CHK  | 28MAY2018 |  |
| APVD   | 28MAY2018 |  |
| NAME   |           |  |
| DIMENSIONS: INCHES<br>   |           | HOUSING, MOD IV, .100 X .100 CL WITH STRAIN RELIEF   |
| TOLERANCES UNLESS OTHERWISE SPECIFIED:<br>0 PLC ± -<br>1 PLC ± -<br>2 PLC ± -<br>3 PLC ± .005<br>4 PLC ± -<br>ANGLES ± 0°30' |           |  |
| MATERIAL: GLASS FILLED NYLON COLOR: BLACK  |           | FINISH: -<br>WEIGHT: -<br>CUSTOMER DRAWING   |
| THIS DRAWING IS UNPUBLISHED. RELEASED FOR PUBLICATION<br>© COPYRIGHT - TE Connectivity Ltd. ALL RIGHTS RESERVED.             |           | SIZE: A2<br>CAGE CODE: 00779<br>DRAWING NO: C-87859<br>RESTRICTED TO: -<br>SCALE: 4:1<br>SHEET: 1 of 1<br>REV: E |