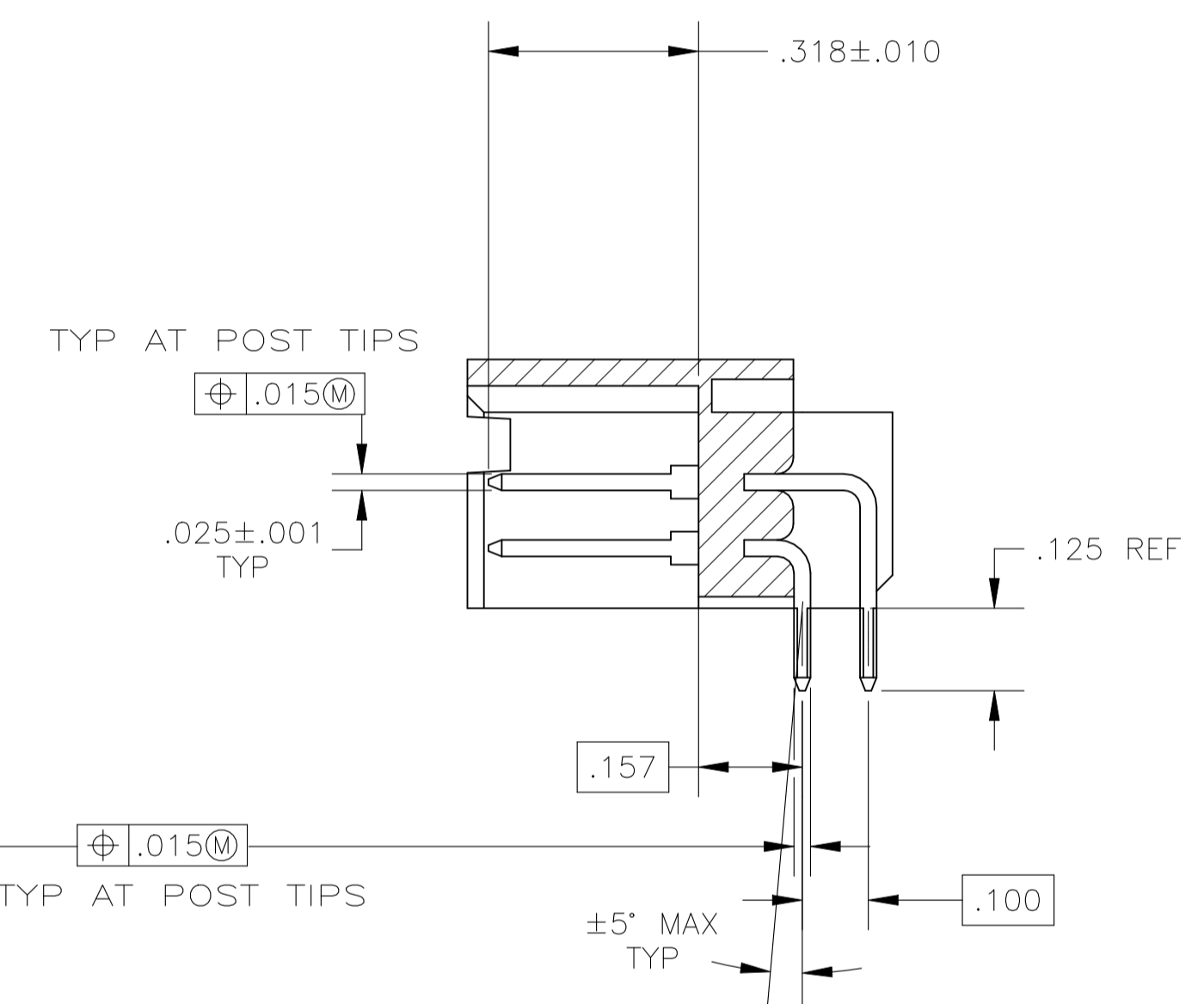
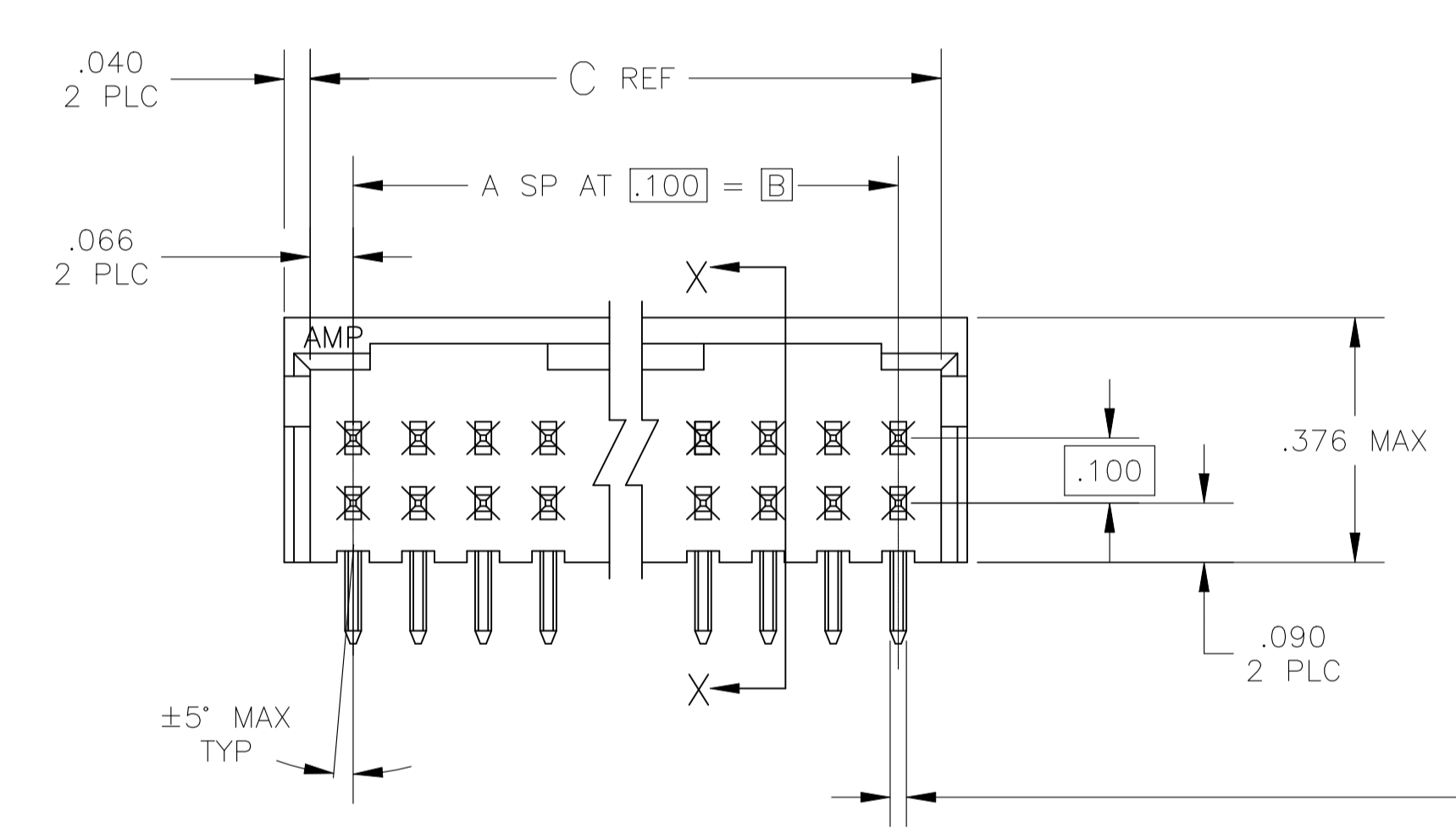
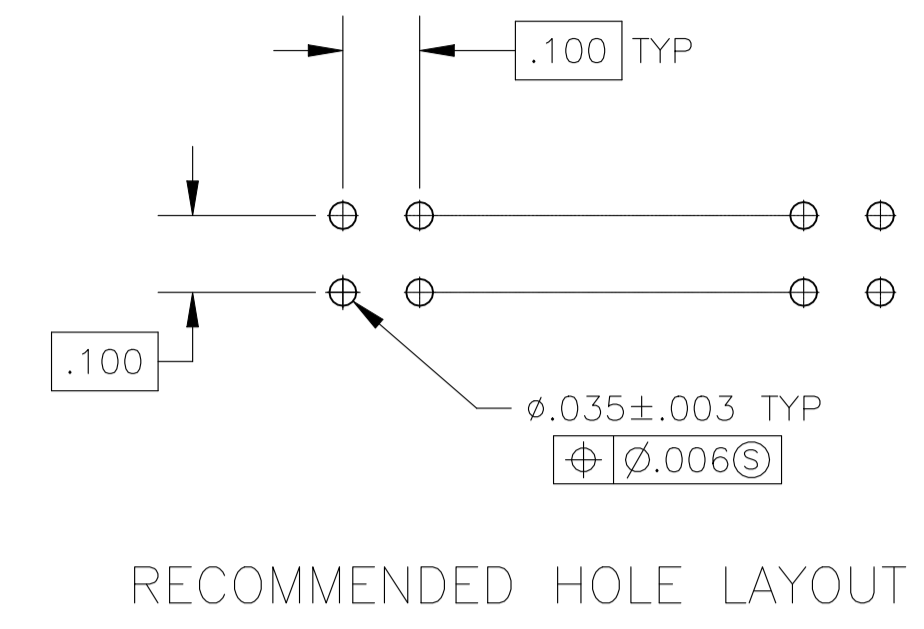
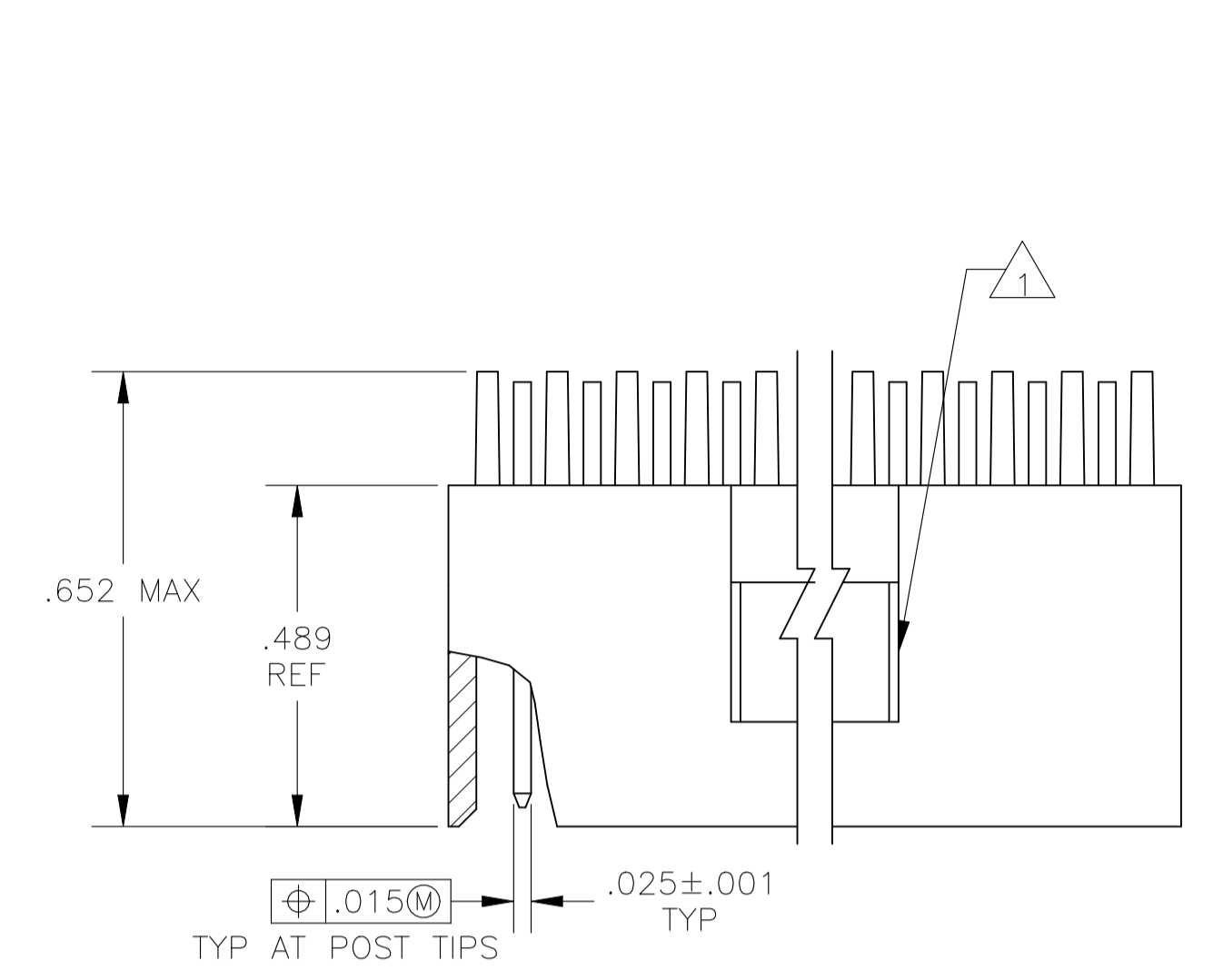


REVISIONS					
P	LTR	DESCRIPTION	DATE	DN	APVD
L3	REVISED PER	ECN-24-247102	23JAN2024	RK	MF



- ① ACCESS SLOT.
- ② CONTACT: .000100-.000200 BRIGHT TIN-LEAD OVER .000050 NICKEL.
- ③ CONTACT: .000100-.000200 MATTE TIN OVER .000050 NICKEL.
- ④ OBSOLETE PARTS: OBSOLETE CIS STREAMLINING PER D.RENAUD/D.SINISI

③	.332	.200	2	6	8-87572-5	
③	3.032	2.900	29	60	7-87572-7	
③	2.532	2.400	24	50	7-87572-2	
③	2.032	1.900	19	40	6-87572-7	
③	1.732	1.600	16	34	6-87572-4	
③	1.332	1.200	12	26	6-87572-0	
③	1.032	.900	9	20	5-87572-7	
③	.932	.800	8	18	5-87572-6	
④	.832	.700	7	16	5-87572-5	
③	.732	.600	6	14	5-87572-4	
③	.632	.500	5	12	5-87572-3	
③	.532	.400	4	10	5-87572-2	
③	.432	.300	3	8	5-87572-1	
④	②	.332	.200	2	6	3-87572-5
④	②	3.732	3.600	36	74	3-87572-4
④	②	3.632	3.500	35	72	3-87572-3
④	②	3.532	3.400	34	70	3-87572-2
④	②	3.432	3.300	33	68	3-87572-1
④	②	3.332	3.200	32	66	3-87572-0
④	②	3.232	3.100	31	64	2-87572-9
④	②	3.132	3.000	30	62	2-87572-8
④	②	3.032	2.900	29	60	2-87572-7
④	②	2.932	2.800	28	58	2-87572-6
④	②	2.832	2.700	27	56	2-87572-5
④	②	2.732	2.600	26	54	2-87572-4
④	②	2.632	2.500	25	52	2-87572-3
④	②	2.532	2.400	24	50	2-87572-2
④	②	2.432	2.300	23	48	2-87572-1
④	②	2.332	2.200	22	46	2-87572-0
④	②	2.232	2.100	21	44	1-87572-9
④	②	2.132	2.000	20	42	1-87572-8
④	②	2.032	1.900	19	40	1-87572-7
④	②	1.932	1.800	18	38	1-87572-6
④	②	1.832	1.700	17	36	1-87572-5
④	②	1.732	1.600	16	34	1-87572-4
④	②	1.632	1.500	15	32	1-87572-3
④	②	1.532	1.400	14	30	1-87572-2
④	②	1.432	1.300	13	28	1-87572-1
④	②	1.332	1.200	12	26	1-87572-0
④	②	1.232	1.100	11	24	87572-9
④	②	1.132	1.000	10	22	87572-8
④	②	1.032	.900	9	20	87572-7
④	②	.932	.800	8	18	87572-6
④	②	.832	.700	7	16	87572-5
④	②	.732	.600	6	14	87572-4
④	②	.632	.500	5	12	87572-3
④	②	.532	.400	4	10	87572-2
④	②	.432	.300	3	8	87572-1

THIS DRAWING IS A CONTROLLED DOCUMENT.		DIN S.A. SHUEY 11OCT89	TE Connectivity	
DIMENSIONS: INCHES		CHK: R. FLICKER 25OCT89		
TOLERANCES UNLESS OTHERWISE SPECIFIED:		APVD: R. FLICKER 25OCT89	NAME: R. FLICKER	
0 PLC ± - 1 PLC ± - 2 PLC ± - 3 PLC ± .005 4 PLC ± - ANGLES ± -		PRODUCT SPEC: -		APPLICATION SPEC: -
MATERIAL: FLAME RETARDANT POLYIMIDE (BLACK) POST-PLAS BRONZE		FINISH: SEE TABLE		WEIGHT: -
CUSTOMER DRAWING		SIZE: A1	CAGE CODE: 00779	DRAWING NO: 87572
SCALE: 4:1		SHEET 1 of 1		REV: L3