

REVISIONS					
P	LTR	DESCRIPTION	DATE	DWN	APVD
K1		REVISED PER ECN-24-247111	05FEB2024	RK	CAS

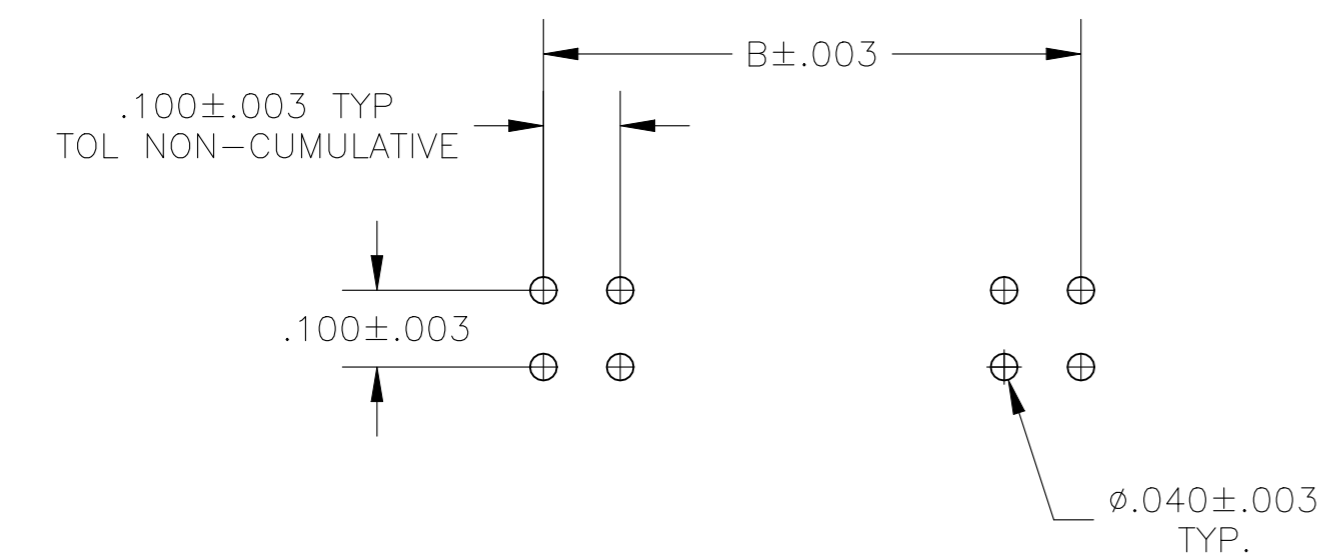
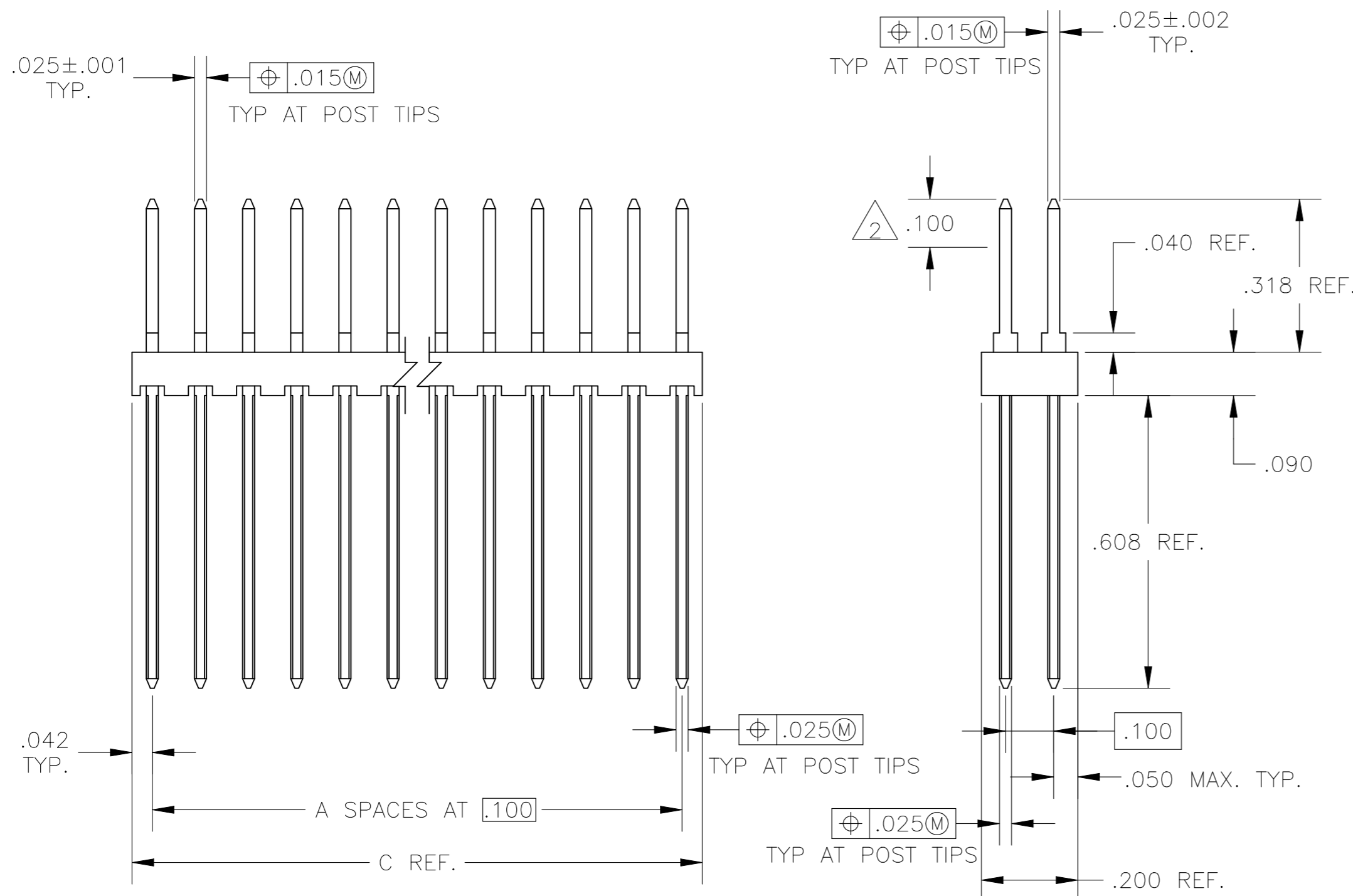
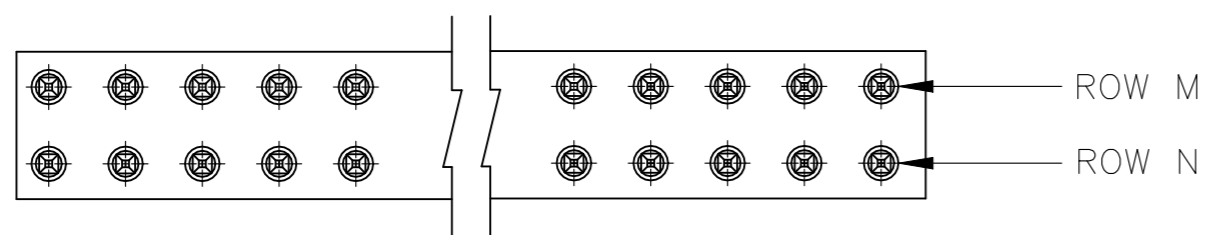
1. TRUE POSITION OF POST TIPS APPLIES WHEN HEADERS ARE HELD FLAT AGAINST PRINTED CIRCUIT BOARD.

2 POINT OF MEASUREMENT FOR PLATING THICKNESS.

3 OBSOLETE PARTS: OBSOLETE CIS STREAMLINING PER D.RENAUD/D.SINISI

OBSOLETE	1,2,3,4	1,2,3,4	3.984	3.900	39	80	4-87545-2
OBSOLETE	1	1	3.984	3.900	39	80	4-87545-1
	-	-	3.984	3.900	39	80	4-87545-0
OBSOLETE	-	-	3.884	3.800	38	78	3-87545-9
OBSOLETE	-	-	3.784	3.700	37	76	3-87545-8
OBSOLETE	-	-	3.684	3.600	36	74	3-87545-7
OBSOLETE	-	-	3.584	3.500	35	72	3-87545-6
OBSOLETE	-	-	3.484	3.400	34	70	3-87545-5
OBSOLETE	-	-	3.384	3.300	33	68	3-87545-4
OBSOLETE	-	-	3.284	3.200	32	66	3-87545-3
	-	-	3.184	3.100	31	64	3-87545-2
OBSOLETE	-	-	3.084	3.000	30	62	3-87545-1
OBSOLETE	-	-	2.984	2.900	29	60	3-87545-0
OBSOLETE	-	-	2.884	2.800	28	58	2-87545-9
OBSOLETE	-	-	2.784	2.700	27	56	2-87545-8
OBSOLETE	-	-	2.684	2.600	26	54	2-87545-7
OBSOLETE	-	-	2.584	2.500	25	52	2-87545-6
OBSOLETE	-	-	2.484	2.400	24	50	2-87545-5
OBSOLETE	-	-	2.384	2.300	23	48	2-87545-4
OBSOLETE	-	-	2.284	2.200	22	46	2-87545-3
OBSOLETE	-	-	2.184	2.100	21	44	2-87545-2
OBSOLETE	-	-	2.084	2.000	20	42	2-87545-1
3 OBSOLETE	-	-	1.984	1.900	19	40	2-87545-0
OBSOLETE	-	-	1.884	1.800	18	38	1-87545-9
OBSOLETE	-	-	1.784	1.700	17	36	1-87545-8
OBSOLETE	-	-	1.684	1.600	16	34	1-87545-7
OBSOLETE	-	-	1.584	1.500	15	32	1-87545-6
OBSOLETE	-	-	1.484	1.400	14	30	1-87545-5
	-	-	1.384	1.300	13	28	1-87545-4
3 OBSOLETE	-	-	1.284	1.200	12	26	1-87545-3
OBSOLETE	-	-	1.184	1.100	11	24	1-87545-2
3 OBSOLETE	-	-	1.084	1.000	10	22	1-87545-1
3 OBSOLETE	-	-	.994	.900	9	20	1-87545-0
OBSOLETE	-	-	.884	.800	8	18	87545-9
3 OBSOLETE	-	-	.784	.700	7	16	87545-8
OBSOLETE	-	-	.684	.600	6	14	87545-7
3 OBSOLETE	-	-	.584	.500	5	12	87545-6
	-	-	.484	.400	4	10	87545-5
3 OBSOLETE	-	-	.384	.300	3	8	87545-4
OBSOLETE	-	-	.284	.200	2	6	87545-3
OBSOLETE	-	-	.184	.100	1	4	87545-2
OBSOLETE	-	-	.084	-	-	2	87545-1

ROM M	ROM N	C	B	A	NO OF POS	ASSEMBLY PART NUMBER
POSN NUMBER OMITTED						



RECOMMENDED HOLE LAYOUT

THIS DRAWING IS A CONTROLLED DOCUMENT.		DWN S. SHUEY 10DEC96	TE TE Connectivity	
DIMENSIONS: INCHES		CHK S. SHUEY 10DEC96		
TOLERANCES UNLESS OTHERWISE SPECIFIED:		APVD S. SHUEY 10DEC96	NAME	
0 PLC ± -		PRODUCT SPEC	HEADER ASSEMBLY, MOD II	
1 PLC ± -		APPLICATION SPEC	.025 SQ. POST,	
2 PLC ± -			.100x.100CL GRID, DOUBLE ROW	
3 PLC ± -			SIZE	CAGE CODE
4 PLC ± -			A2	00779
ANGLES ± -		WEIGHT	DRAWING NO	
MATERIAL: FLAME RETARDANT THERMOPLASTIC, COLOR-BLACK POSTS: PHOS BRONZE		FINISH: POSTS: .000030 GOLD OVER .000050 NICKEL	RESTRICTED TO	
		CUSTOMER DRAWING	SCALE 4:1	SHEET 1 OF 1
			REV K1	