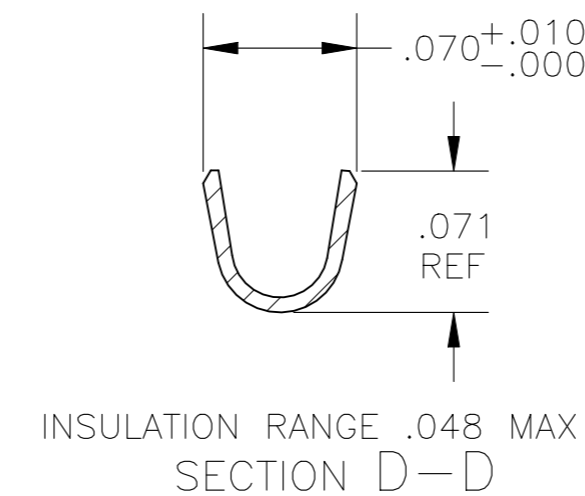
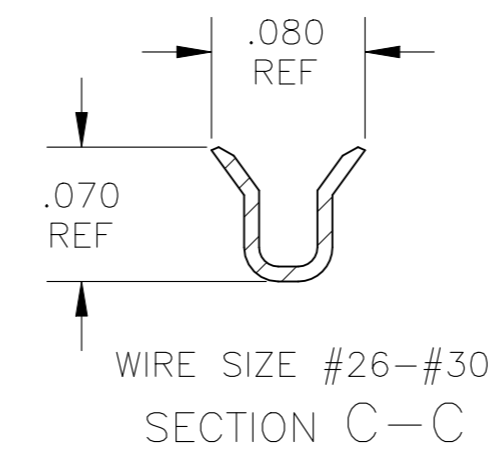
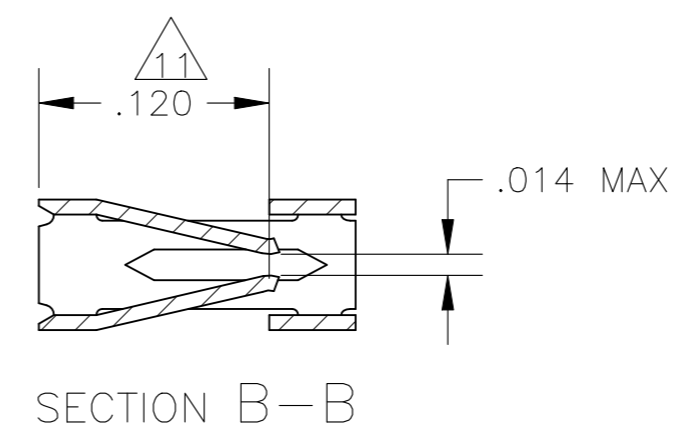
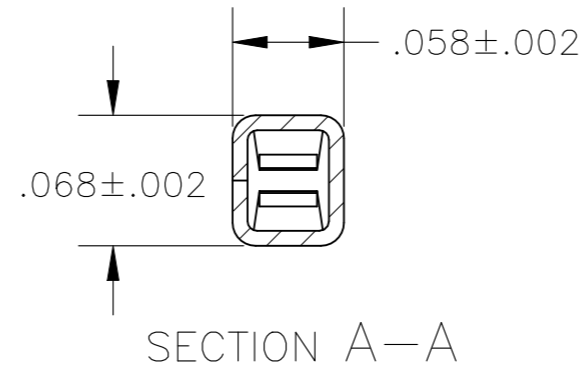
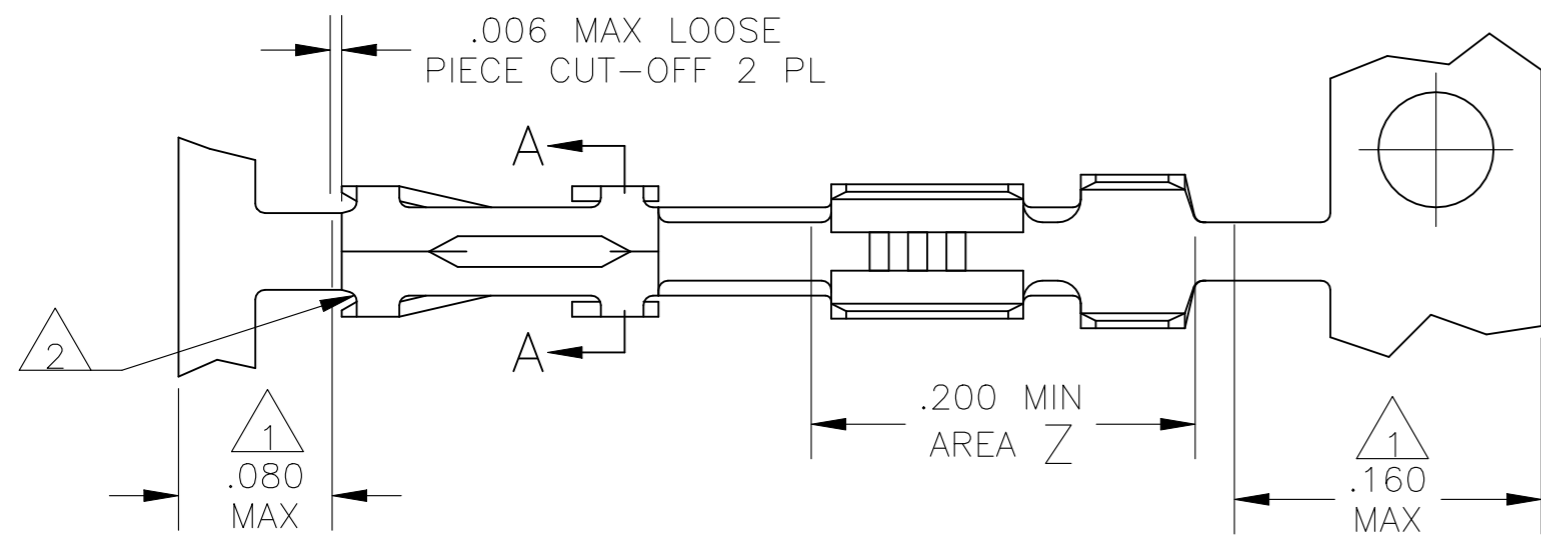


REVISIONS					
P	LTR	DESCRIPTION	DATE	DWN	APVD
V2	ECN-22-171534		30AUG2022	RK	JO



17 OBSOLETE PARTS: OBSOLETE CIS STREAMLINING PER D.RENAUD/D.SINISI

- 1 GOLD PLATING IS NOT REQUIRED IN THIS AREA.
- 2 CUT-OUTS ON THE BOX ARE AT MANUFACTURERS OPTION.
- 3 THIS TERMINAL IS REELED FOR THE STANDARD APPLICATOR.
- 4 THIS TERMINAL IS REELED FOR THE MINI APPLICATOR.
- 5 .000030 GOLD ON THE CONTACT AREA, GOLD FLASH ON THE REMAINDER ALL OVER .000050 NICKEL.
- 6 .000015 GOLD ON THE CONTACT AREA, GOLD FLASH ON THE REMAINDER ALL OVER .000050 NICKEL.
- 7 .000100-.000200 BRIGHT TIN-LEAD OVER .000050 NICKEL.
- 8 SHEARED EDGES ARE PERMITTED TO BE UNPLATED.
- 9 .000015 GOLD ON THE CONTACT AREA, .000050 NICKEL ON THE REMAINDER.
- 10 .000050 GOLD ON THE CONTACT AREA, GOLD FLASH ON THE REMAINDER ALL OVER .000050 NICKEL.
- 11 POINT OF MEASUREMENT FOR PLATING THICKNESS (INSIDE BEAMS).
- 12 .000015 GOLD ON THE CONTACT AREA, .000100-.000200 BRIGHT TIN-LEAD ON AREA Z, ALL OVER .000050 NICKEL.
- 13 .000030 GOLD ON THE CONTACT AREA, .000100-.000200 BRIGHT TIN-LEAD ON AREA Z, ALL OVER .000050 NICKEL.
- 14 OBSOLETE PART NUMBERS.
- 15 SUPERSEDED BY 2-87522-2.
- 16 .000030 GOLD ON THE CONTACT AREA, .000100-.000200 MATTE TIN ON AREA Z, ALL OVER .000050 NICKEL.

REMARKS	FINISH	LOOSE PIECE PART NUMBER	PART NUMBER
4	8/16	7-87522-3	7-87522-2
4	8/13	2-87522-3	2-87522-2
4	8/12	2-87522-0	1-87522-9
4	10	1-87522-7	1-87522-6
3	10	1-87522-7	1-87522-5
4	8/9	1-87522-4	1-87522-3
3	7	87522-6	1-87522-0
3	6	87522-7	87522-9
3	5	87522-3	87522-8
4	7	87522-6	87522-5
4	6	87522-7	87522-4
4	5	87522-3	87522-2

THIS DRAWING IS A CONTROLLED DOCUMENT.		DWN	L.D.RINGLEY	1-6-86	 TE Connectivity	CONTACT, MOD IV, RECEPTACLE, CRIMP SNAP-IN		
DIMENSIONS: INCHES		CHK	J.L.GESFORD	1-6-86		NAME		
TOLERANCES UNLESS OTHERWISE SPECIFIED:		APVD	J.L.GESFORD	1-6-86		PRODUCT SPEC		
0 PLC ± - 1 PLC ± - 2 PLC ± - 3 PLC ± .005 4 PLC ± - ANGLES ± - FINISH SEE TABLE		APPLICATION SPEC		108-25,020				
MATERIAL		WEIGHT		SIZE		CAGE CODE	DRAWING NO	RESTRICTED TO
CU-SN-P, ALLOY #521, .008 THICK		-		A2		00779	C=87522	-
CUSTOMER DRAWING				SCALE		SHEET		REV
				10:1		1 of 1		V2