

© COPYRIGHT 1975 BY AMP INCORPORATED, HARRISBURG, PA. ALL INTERNATIONAL RIGHTS RESERVED. AMP INCORPORATED PRODUCTS COVERED BY U. S. AND FOREIGN PATENTS AND/OR PATENTS PENDING.

REVISIONS				DATE	APPROVED
P	F	ZONE/LTR	DESCRIPTION		
		F1	REVISED PER ECN-23-225110	08AUG 2023	RK MF

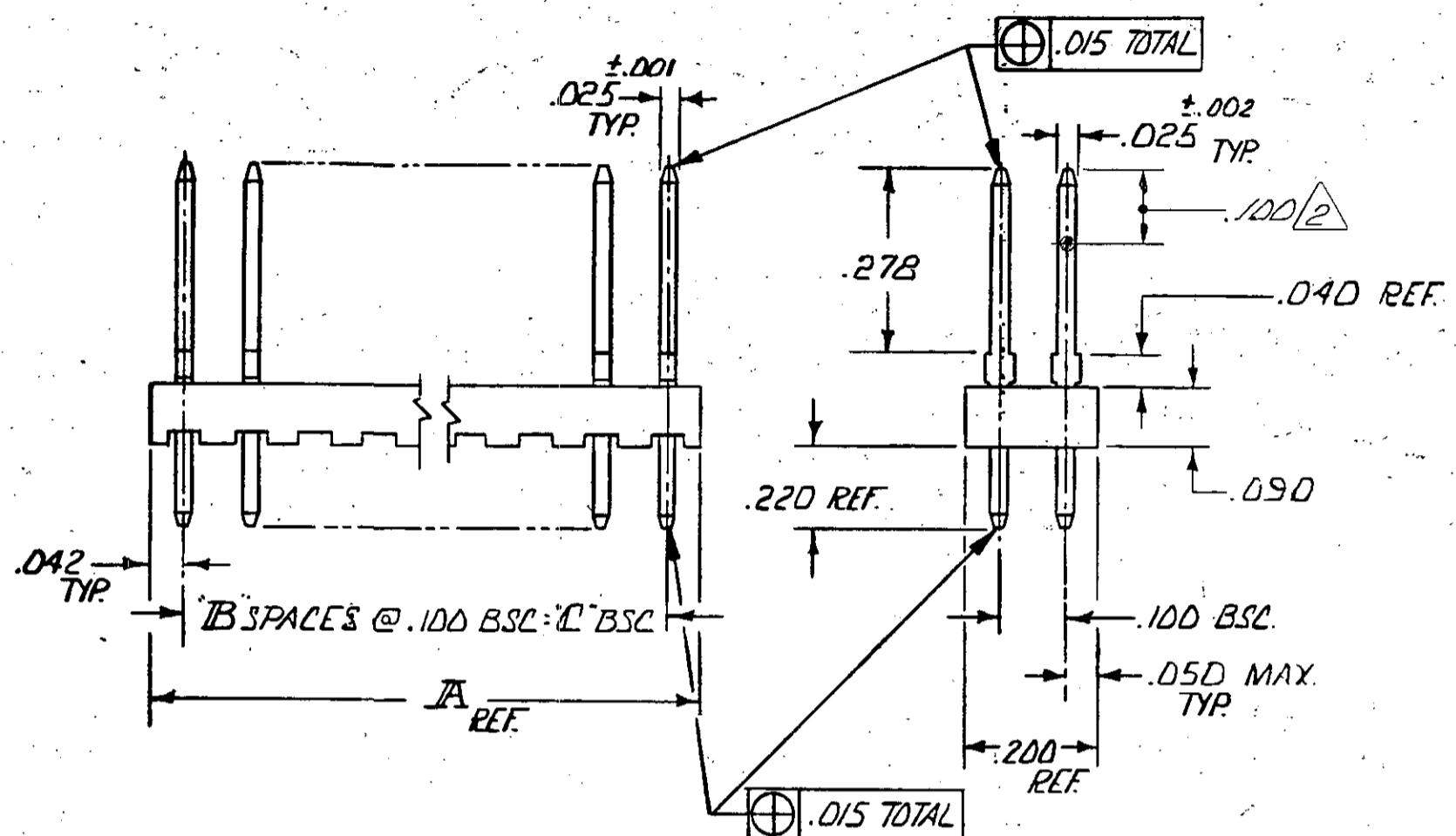
PART NO.	NO. OF PDS.	B	C	A
87346-1	20	9	.900	.984
2	26	12	1.200	1.284
3	4	1	.100	.184
4	50	24	2.400	2.484
5	10	4	.400	.484
6	40	19	1.900	1.984
7	2	—	—	.084
8	6	2	.200	.284
9	8	3	.300	.384
1-87346-0	12	5	.500	.584
1- 1	14	6	.600	.684
1- 2	16	7	.700	.784
1- 3	18	8	.800	.884
1- 4	22	10	1.000	1.084
1- 5	24	11	1.100	1.184
1- 6	28	13	1.300	1.384
1- 7	30	14	1.400	1.484
1- 8	32	15	1.500	1.584
1- 9	34	16	1.600	1.684
2-87346-0	36	17	1.700	1.784
2- 1	38	18	1.800	1.884
2- 2	42	20	2.000	2.084
2- 3	44	21	2.100	2.184
2- 4	46	22	2.200	2.284
2- 5	48	23	2.300	2.384
2- 6	52	25	2.500	2.584
2- 7	54	26	2.600	2.684
2- 8	56	27	2.700	2.784
2- 9	58	28	2.800	2.884
3-87346-0	60	29	2.900	2.984
3- 1	62	30	3.000	3.084
3- 2	64	31	3.100	3.184
3- 3	66	32	3.200	3.284
3- 4	68	33	3.300	3.384
3- 5	70	34	3.400	3.484
3- 6	72	35	3.500	3.584
3- 7	74	36	3.600	3.684
3- 8	76	37	3.700	3.784
3- 9	78	38	3.800	3.884
4-87346-0	80	39	3.900	3.984

OBSOLETE \triangle 4

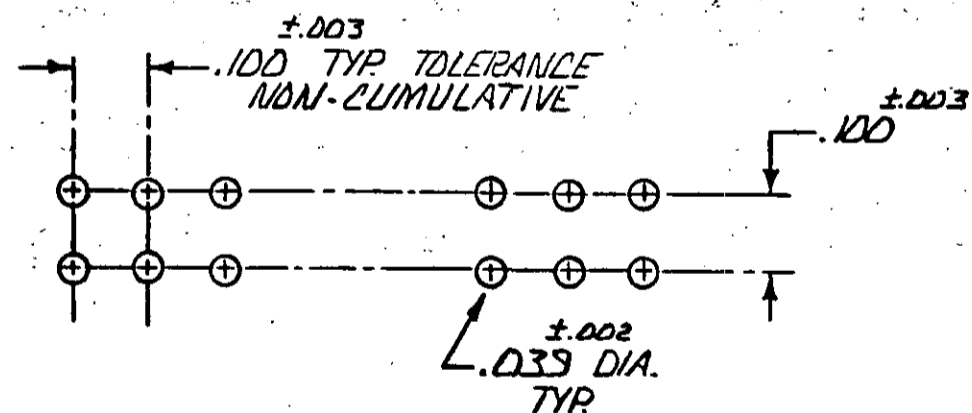
OBSOLETE \triangle 4

OBSOLETE \triangle 4

OBSOLETE \triangle 4



- 1. TRUE POSITION TOLERANCE OF POST TIPS APPLIES WHEN HEADERS ARE HELD FLAT AGAINST PRINTED CIRCUIT BOARD.
- \triangle 2 POINT OF MEASUREMENT FOR PLATING THICKNESS.
- \triangle 3 OBSOLETE PART NUMBER.
- \triangle 4 OBSOLETE PARTS: OBSOLETE CIS STREAMLINING PER D.RENAUD/D.SINISI



RECOMMENDED HOLE LAYOUT

UNLESS OTHERWISE SPECIFIED DIMENSIONS ARE IN INCHES. TOLERANCES ON: DECIMALS ±.005 ANGLES ±		CONTRACT NO		PART NO	
MATERIAL HSB. - LCP COLOR: BLACK POST - PHOS. BRONZE		DR D. [Signature] 7/10/75		NAME	
FINISH POST - .000015 GOLD OVER .000050 NICKEL		CHK B. [Signature] 7-11-75		TE Connectivity	
		APPD B. [Signature] 7/29/75		HOUSING ASSEMBLY, MOD II, .100 x .100 GRID, DBL. ROW	
		APPD R. [Signature] 7/29/75		SIZE CODE IDENT NO DRAWING NO	
		DSGN APPD		C 00779 87346	
		OTHER APPD		SCALE SHEET 1 of 1 REV F1	