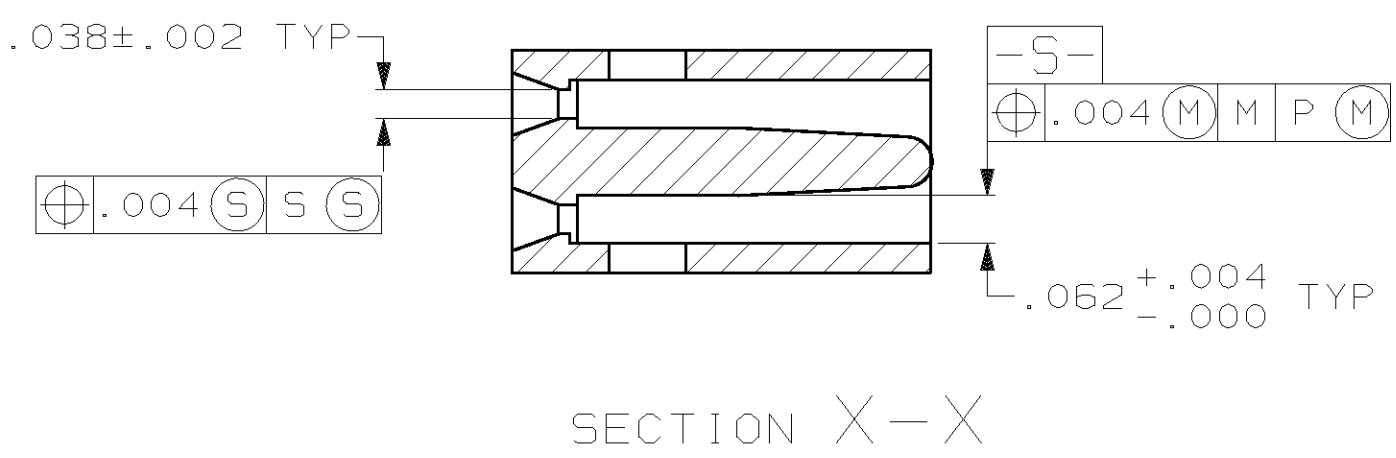
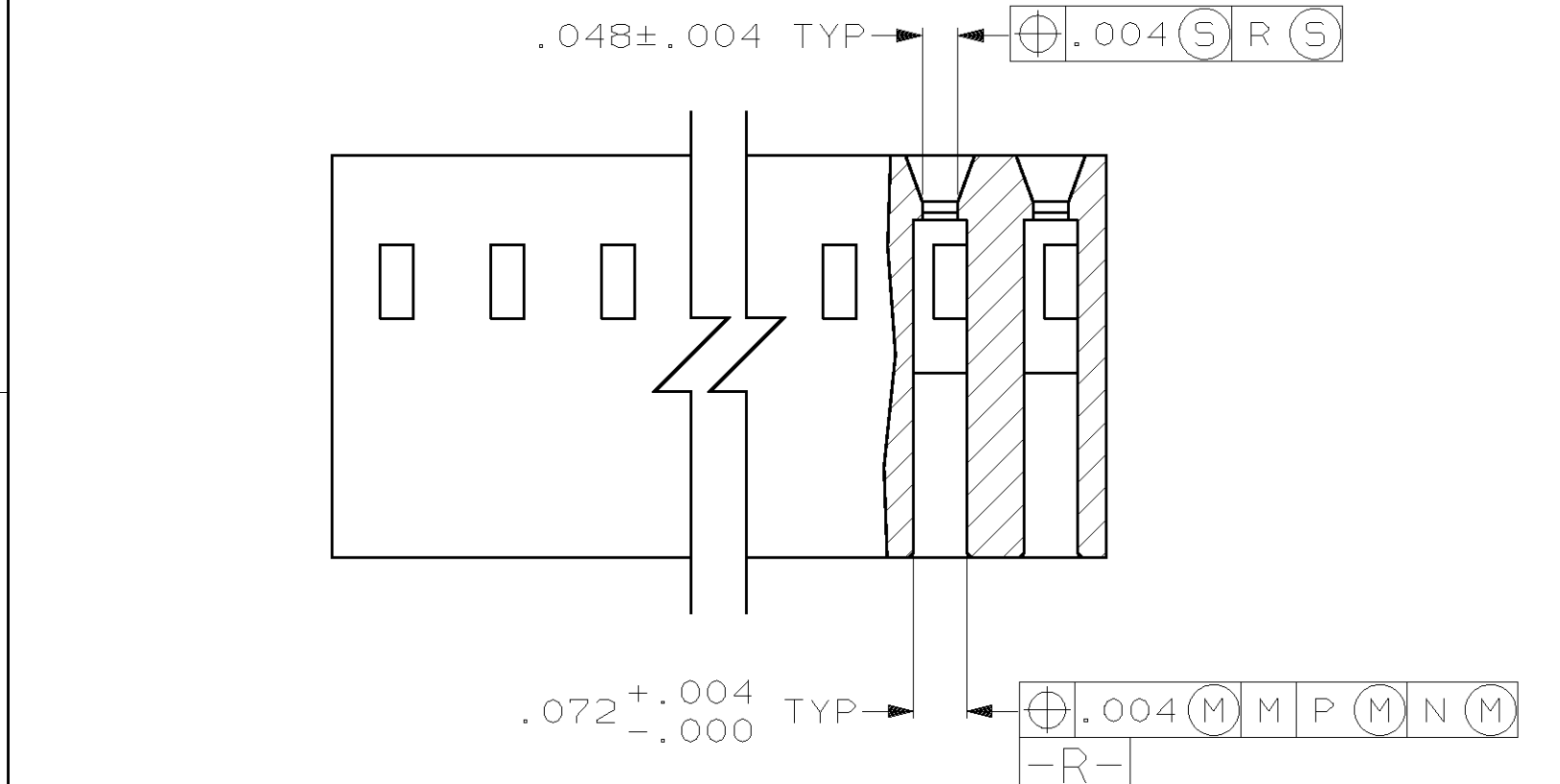
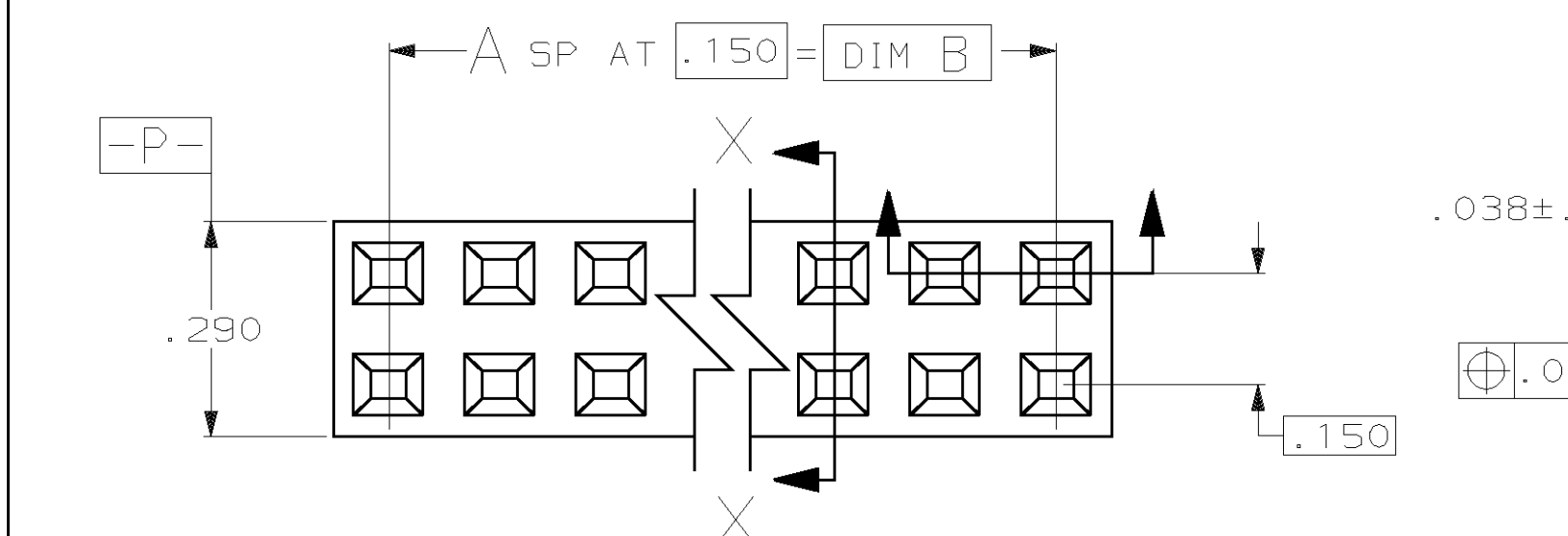
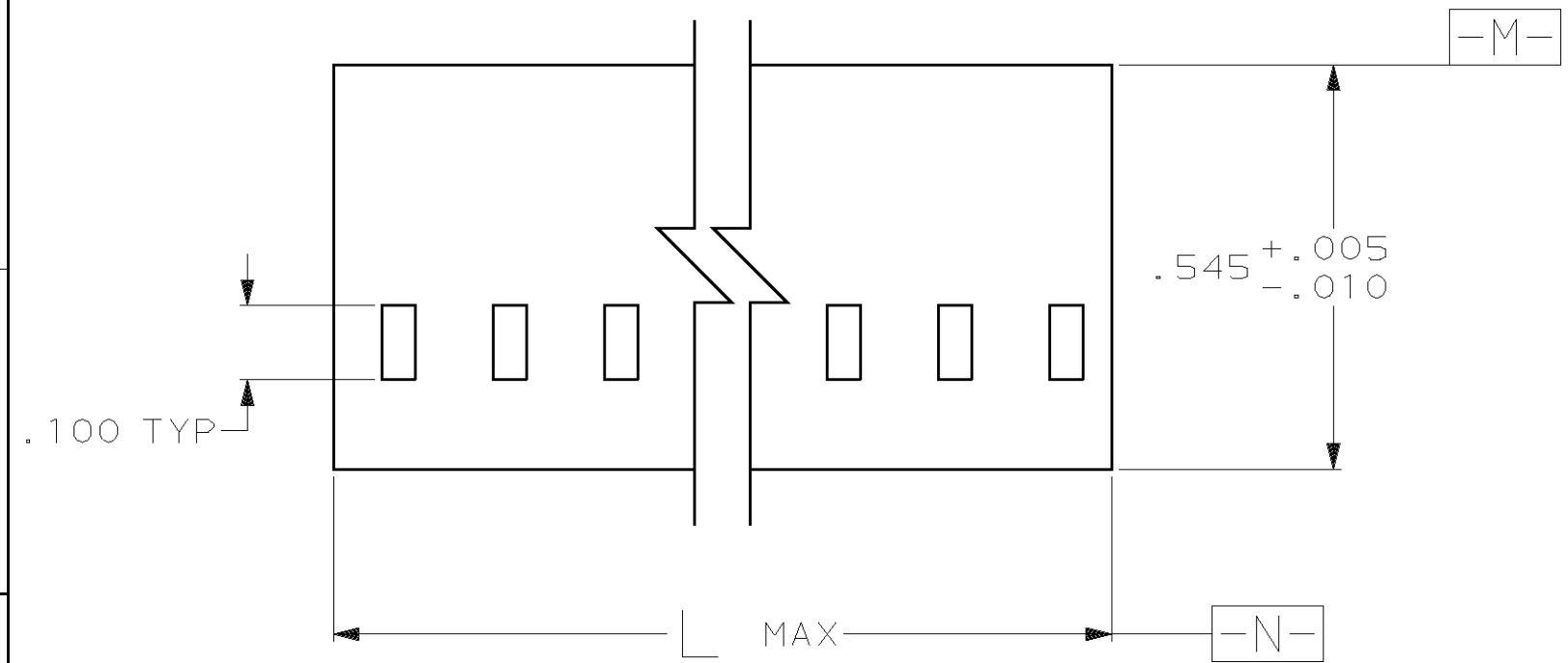


THIS DRAWING IS UNPUBLISHED. RELEASED FOR PUBLICATION
 © COPYRIGHT 19 BY AMP INCORPORATED. ALL INTERNATIONAL RIGHTS RESERVED.

LOC	DIST	P	F	ZONE	LTR	DESCRIPTION	DATE	APPD
AD	39			N		REV PER 063C-0203-04	130CT04	JR/DS



OBsolete	L	B	A	NO OF POSN	PART NO
OBSOLETE	3.300	3.150	21	44	2-86263-9
OBSOLETE	4.650	4.500	30	62	2-86263-8
OBSOLETE	5.250	5.100	34	70	2-86263-7
OBSOLETE	4.200	4.050	27	56	2-86263-6
OBSOLETE	4.800	4.650	31	64	2-86263-5
OBSOLETE	6.300	6.150	41	84	2-86263-4
OBSOLETE	3.750	3.600	24	50	2-86263-3
OBSOLETE	6.750	6.600	44	90	2-86263-2
OBSOLETE	3.450	3.300	22	46	2-86263-1
OBSOLETE	.600	.450	3	8	2-86263-0
OBSOLETE	.450	.300	2	6	1-86263-9
OBSOLETE	.300	.150	1	4	1-86263-8
OBSOLETE	-	-	-	-	1-86263-7
OBSOLETE	-	-	-	-	1-86263-5
OBSOLETE	-	-	-	-	1-86263-4
OBSOLETE	-	-	-	-	1-86263-3
OBSOLETE	2.400	2.250	15	32	1-86263-2
OBSOLETE	2.250	2.100	14	30	1-86263-1
OBSOLETE	2.100	1.950	13	28	1-86263-0
OBSOLETE	1.950	1.800	12	26	86263-9
OBSOLETE	1.800	1.650	11	24	86263-8
OBSOLETE	1.650	1.500	10	22	86263-7
OBSOLETE	1.500	1.350	9	20	86263-6
OBSOLETE	1.350	1.200	8	18	86263-5
OBSOLETE	1.200	1.050	7	16	86263-4
OBSOLETE	1.050	.900	6	14	86263-3
OBSOLETE	.890	.750	5	12	86263-2
OBSOLETE	.750	.600	4	10	86263-1

DO NOT SCALE PRINT. UNLESS SPECIFIED DIMENSIONS IN INCHES TOLERANCES ON: 2 PLC DEC \pm - 3 PLC DEC \pm .005 ANGLES \pm -	DR 2-22-89 H MOLL CHK 2-22-89 J. GESFORD APPD 2-22-89 J. GESFORD APPD 2-22-89 FLINCHBAUGH	AMP INCORPORATED Harrisburg, Pa. 17105 NAME HOUSING, MOD IV, DBL ROW, .150X.150 CL, CRIMP SNAP-IN
MATERIAL FLAME RETARDANT THERMOPLASTIC COLOR-BLACK PER ASTM D4066	PRODUCT SPEC -	
FINISH -	APPLICATION SPEC -	SIZE C 00779
	WEIGHT -	DRAWING NO 86263
		SCALE 4:1
		SHEET 1 OF 1