

THIS DRAWING IS UNPUBLISHED.

RELEASED FOR PUBLICATION

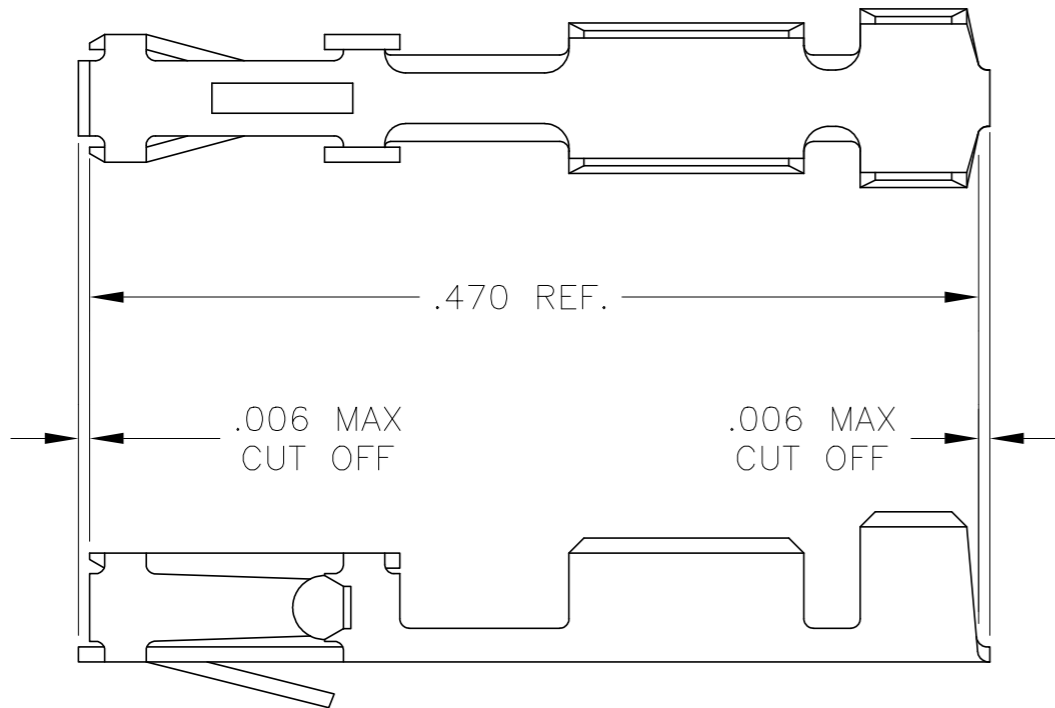
--

REVISIONS

© COPYRIGHT - By -

ALL RIGHTS RESERVED.

P	LTR	DESCRIPTION	DATE	DWN	APVD
	C	REVISED PER ECO-15-004633	30MAY2015	NK	JO
	C1	REVISED PER ECO-19-016614	13NOV2019	RS	JO



- 1 WIRE RANGE: #20-#24.
- 2 INSULATION RANGE: .069 MAX. DIA.
- 3 FOR SECTIONS AND ADDITIONAL DIMENSIONS SEE AMP CUSTOMER DRAWING#85969.

OBSOLETE	86016-6	GOLD FLASH OVER .000050 NICKEL ENTIRE CONTACT,.000050 GOLD IN CONTACT AREA
	86016-5	GOLD FLASH OVER .000050 NICKEL ENTIRE CONTACT,.000015 GOLD IN CONTACT AREA
	86016-4	.000050 GOLD OVER .000050 NICKEL
	86016-3	PREPLATED:(HALT).000078-.000158 BRIGHT TIN
	86016-2	GOLD FLASH OVER .000050 NICKEL ENTIRE CONTACT,.000030 GOLD IN CONTACT AREA
	86016-1	.000030 GOLD OVER .000050 NICKEL
	PART NUMBER	FINISH

THIS DRAWING IS A CONTROLLED DOCUMENT.		DWN E.C. CLAYBAUGH	STE TE Connectivity	
		CHK		
DIMENSIONS: INCHES	TOLERANCES UNLESS OTHERWISE SPECIFIED:	APVD	NAME	
	0 PLC ± -	PRODUCT SPEC	RECEPTACLE CONTACT, MOD IV CRIMP SNAP-IN LOOSE PIECE	
	1 PLC ± -	APPLICATION SPEC		
	2 PLC ± -	WEIGHT	SIZE	CAGE CODE
	3 PLC ± -		A3	00779
4 PLC ± -			DRAWING NO	RESTRICTED TO
ANGLES ± -			C=86016	
MATERIAL CU-NI-SI	FINISH -	CUSTOMER DRAWING		SCALE 10:1 SHEET 1 OF 1 REV C1