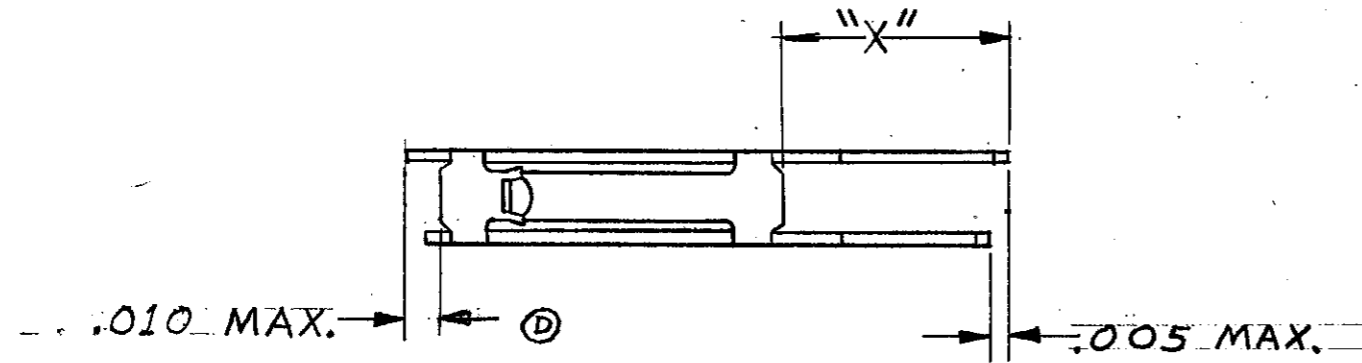


LOOSE PIECE PARTS MUST MEET ALL APPLICABLE STRIP SPECIFICATIONS IN ADDITION TO THE FOLLOWING:



△ OBSOLETE PART NUMBER

OBSOLETE	1/16	.115	2-85861-1	GOLD	1-85864-1
OBSOLETE	1/8	.175	1-85861-0	GOLD	85864-0
			-9	TIN	85864-9
			-8	GOLD	85864-8
			-7	GOLD	85864-7
			-6	TIN	85864-6
OBSOLETE	3/32	.145	-5	GOLD	85864-5
			-4	GOLD	△ 85864-4
			-3	TIN	△ 85864-3
	1/16	.115	85861-2	GOLD	85864-2
	#	#	#	#	#
BOARD USED ON	"X"	MAKE FROM STRIP NO.	FINISH	MATERIAL	AMP PART NUMBER

WIRE RANGE

#

INSULATION RANGE

#

**STE** TE Connectivity

NAME RECEPTACLE CONTACT, MOD II, STANDARD, LOOSE PIECE

SCALE	LOC	NUMBER	REV
8:1	AD B	85864	A2

DR 11-2-64	APPD
WARD	
CHK 11-6-64	REL 1-22-65
HEIDE	BRUETSCH

THIS INFORMATION IS CONFIDENTIAL AND IS DISCLOSED TO YOU ON CONDITION THAT NO FURTHER DISCLOSURE IS MADE BY YOU TO OTHER THAN AMP PERSONNEL WITHOUT WRITTEN AUTHORIZATION FROM AMP INCORPORATED, HARRISBURG, PA.

REV	DESCRIPTION	BY	DATE
A2	REVISED PER ECO-13-012236	KH	30JUL13
LTR	REVISION RECORD	DR	CHK