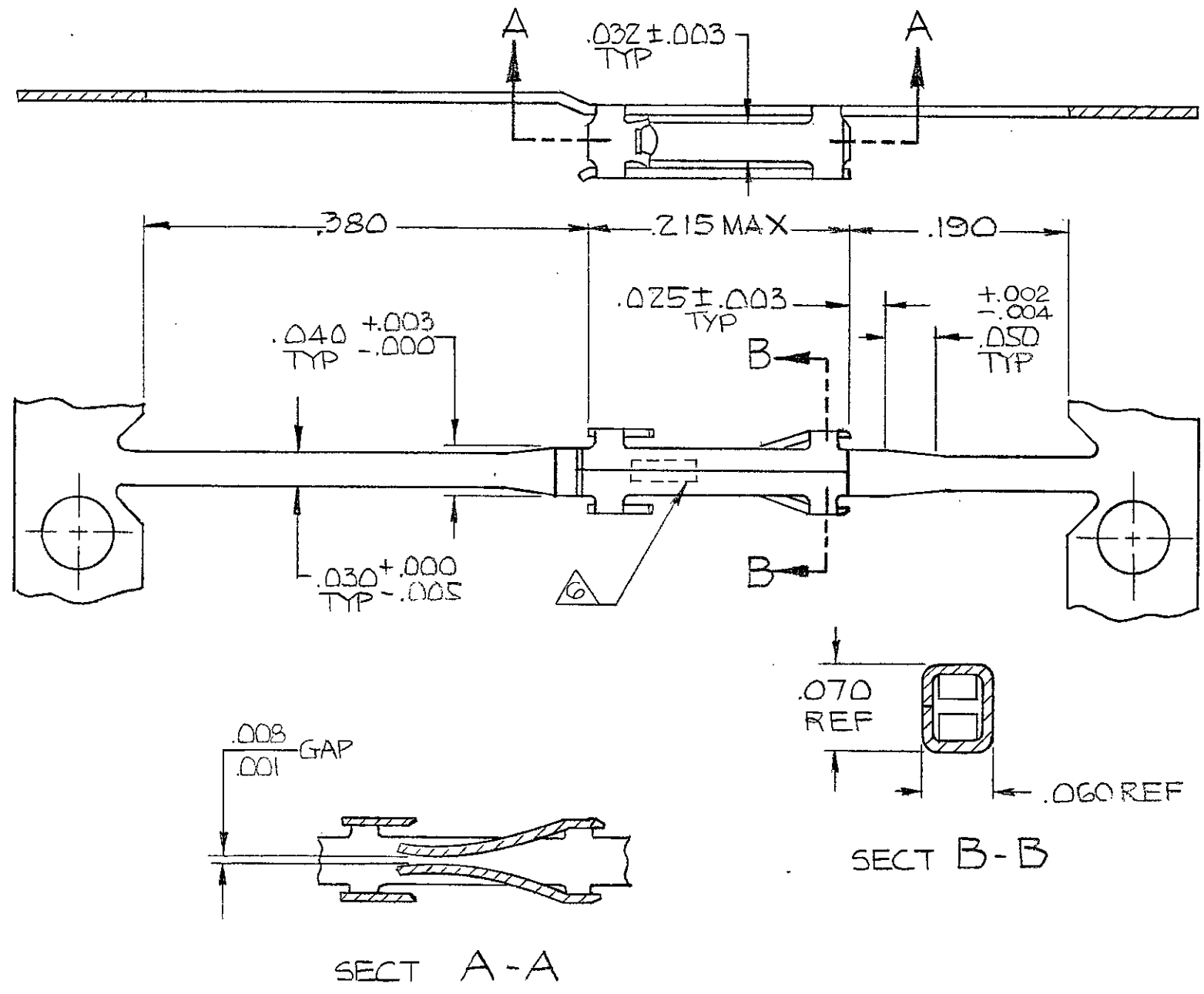


© COPYRIGHT 19 BY AMP INCORPORATED, HARRISBURG, PA. ALL INTERNATIONAL RIGHTS RESERVED. AMP INCORPORATED PRODUCTS COVERED BY U. S. AND FOREIGN PATENTS AND/OR PATENTS PENDING.

REVISIONS					
P	F	ZONE	LTR	DESCRIPTION	DATE APPROVED
✓			K1	REVD. REFINN & ADDED L/P PER ECN 3828	UP 3-19-81
✓			K2	ADD L/P TO 3 PER ECN 3830	CP 4-2-81
✓			K3	ADD LP TO 1-5 PER ECN 3901	UP 5-18-81
✓			K4	ADD 2-7 PER ECN 3957	DF 6-15-81
✓			K5	REV PER ECN 4318	db 5-7-82
✓			K6	REVD PER ECN 4829	db 6-10-83
✓			K7	REV PER ECN 8614 WL	8-83
✓			K8	ADDED 3-2, ECN 8665	db 9-30-83
✓			L	REV. PER ECN AB-0609	db 1-28-85
✓			L1	ADD LP 3--1; ECN-AB-1393, AB-1184	db 2-86
✓			M	REV PER 0010-0911-96	db 9-10-96



- ▲ .000030 GOLD OVER .000050 NICKEL ENTIRE CONTACT
- ▲ GOLD FLASH OVER .000050 NICKEL ENTIRE CONTACT, .000030 GOLD ON CONTACT AREA
- ▲ .000050 GOLD OVER .000050 NICKEL ENTIRE CONTACT
- ▲ .000080 GOLD OVER .000050 NICKEL ENTIRE CONTACT
- ▲ .000015 GOLD OVER .000050 NICKEL ENTIRE CONTACT, .000030 GOLD ON CONTACT AREA.
- ▲ WINDOW OPTIONAL THIS SIDE OF BOX ONLY (AMP'S DISCRETION).
- ▲ GOLD FLASH OVER .000050 NICKEL ENTIRE CONTACT, .000050 GOLD ON CONTACT AREA.
- ▲ .000010 GOLD OVER .000050 NICKEL ENTIRE CONTACT, .000050 GOLD ON CONTACT AREA.
- ▲ GOLD FLASH OVER .000050 NICKEL ENTIRE CONTACT, .000015 GOLD ON CONTACT AREA.
- ▲ DUPLEX PLATED = .000030 GOLD ON CONTACT AREA, .000050-.000100 BRIGHT TIN-LEAD ON REMAINDER ALL OVER .000050 NICKEL.
- ▲ DUPLEX PLATED: .000050 GOLD ON CONTACT AREA, .000050-.000100 BRIGHT TIN-LEAD ON REMAINDER, ALL OVER .000050 NICKEL

	OBS	3-85854-1	▲	3-85858-0	3-85854-2
OBSOLETE	OBS	2-85854-6	▲	2-85858-8	2-85854-7
	OBS	2-85854-5	▲	1-85858-8, 2-85858-2, 2-85858-7,	1-85854-5
OBSOLETE	OBS	2-85854-4	▲	1-85858-7, 1-85858-9	1-85854-4
	OBS	2-85854-0	▲	1-85858-5, 1-85858-6	1-85854-0
			▲	1-85858-3, 2-85858-3, 2-85858-4, 3-85858-1	85854-6
				1-85889-3, 1-85889-4, 1-85889-6	
	OBSOLETE				85854-5
OBSOLETE			▲	1-85858-0, 1-85858-1, 1-85858-2, 1-85858-4, 2-85858-1,	85854-4
				1-85889-0, 1-85889-1, 1-85889-5, 1-85889-7, 85889-9	
	OBS	1-85854-3	▲	85858-3, 85858-6, 85858-9, 2-85858-0, 2-85858-5, 2-85858-6,	85854-3
				85889-3, 85889-6,	
OBSOLETE		PRE TIN		85858-2, 85858-5, 85858-8	85854-2
				85889-2, 85889-5, 85889-8	
	OBS	1-85854-1	▲	85858-1, 85858-4, 85858-7, 2-85858-9	85854-1
				85889-1, 85889-4, 85889-7, 1-85889-2, 1-85889-8	

UNLESS OTHERWISE SPECIFIED DIMENSIONS ARE IN INCHES. TOLERANCES ON: DECIMALS ± .010 ANGLES ± .010	CONTRACT NO DR <i>Curtis</i> 3-19-81	AMP INCORPORATED Harrisburg, Pa.
MATERIAL .008 #4 HARD PHOS. BRONZE	CHK <i>J. J. Purdy</i> 3/20/81 APPD <i>J. J. Purdy</i> 3-23-81 APPD <i>C. R. H. 3/24/81</i>	
FINISH SEE TABLE	DSGN APPD OTHER APPD	SIZE CODE IDENT NO DRAWING NO C 00779 85854
		SCALE 10:1 SHEET