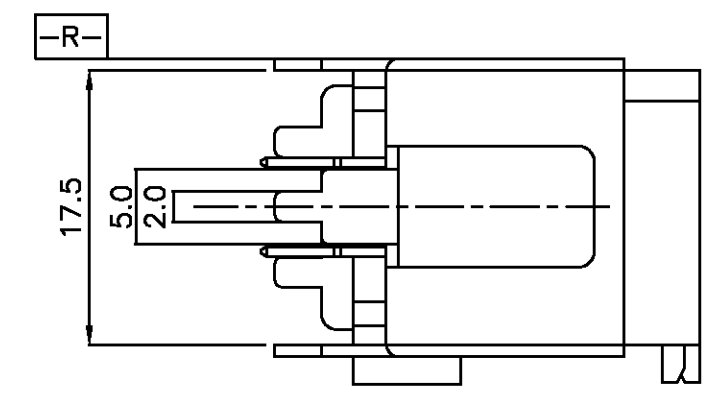
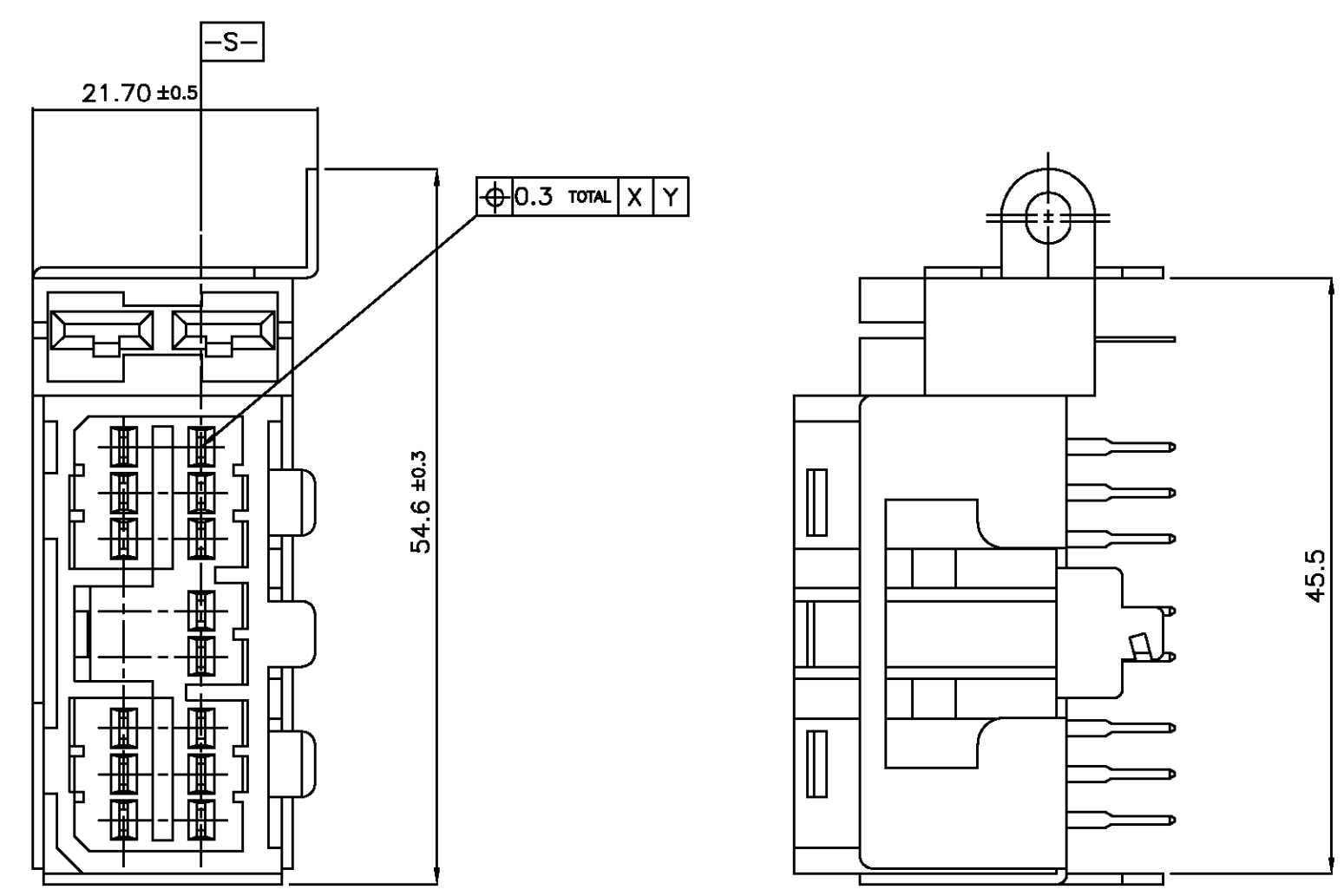
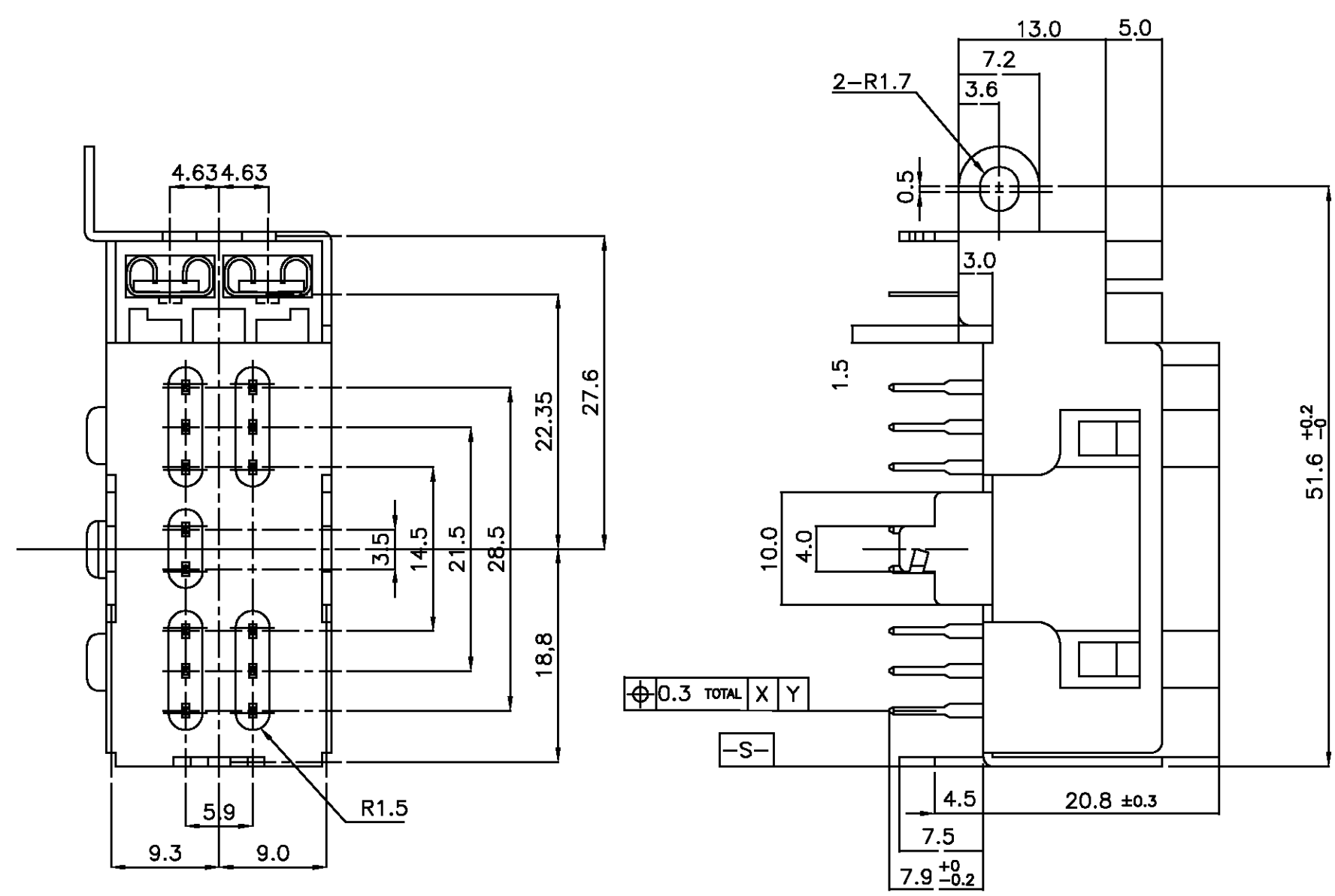


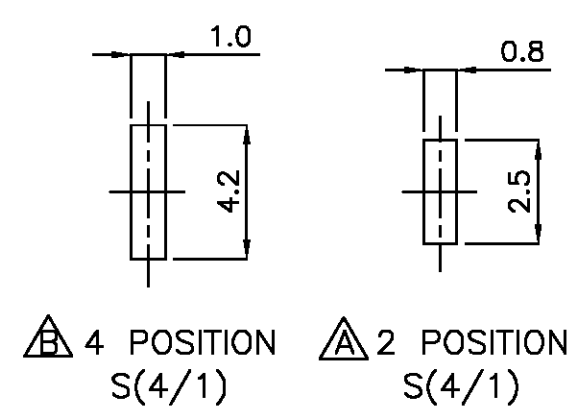
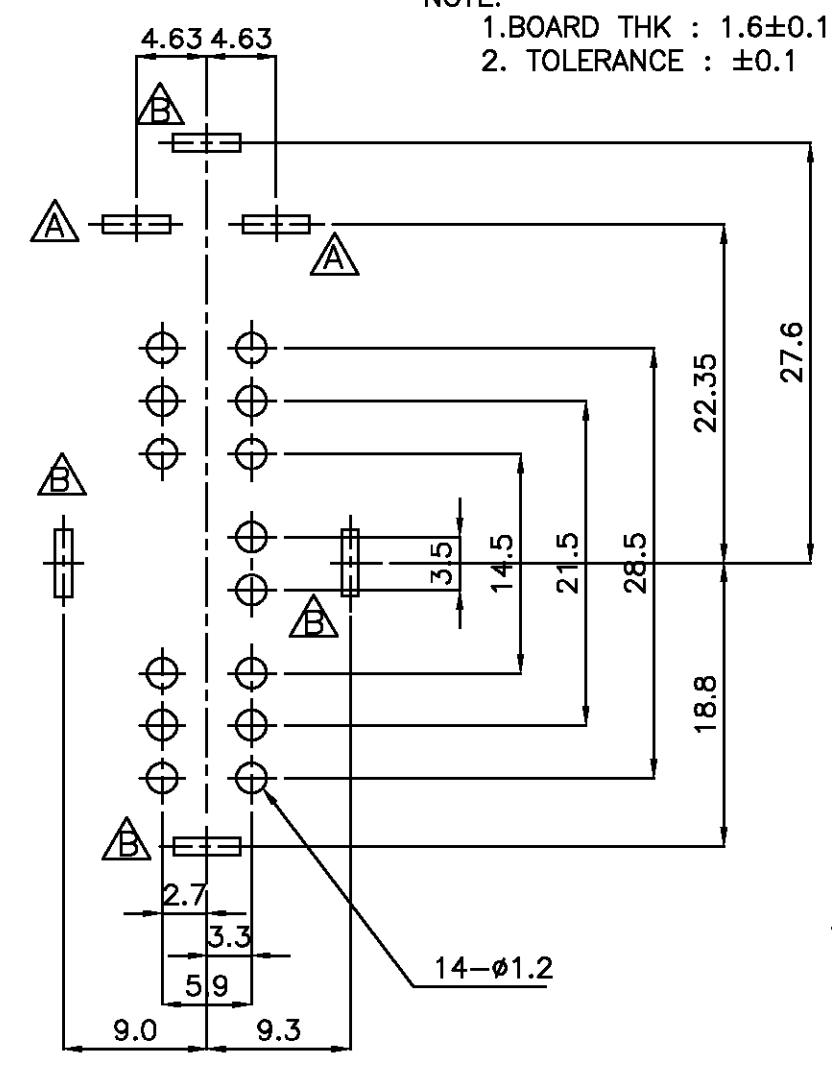
THIS DRAWING IS UNPUBLISHED. RELEASED FOR PUBLICATION
 © COPYRIGHT BY TYCO ELECTRONICS CORPORATION, ALL RIGHTS RESERVED.

LOC	DIST	REVISIONS					
DS		P	LTR	DESCRIPTION	DATE	DWN	APVD
			□	RELEASED	19/APR/96	JW	BM
			B	REVISED(FC00-0036-04)	04/MAR/04	JG	CS



P.C BOARD DIMENSION

NOTE:
 1. BOARD THK : 1.6±0.15
 2. TOLERANCE : ±0.1



- NOTE:
- MATERIAL : PLASTIC : P.B.T
 BRAKET : STC(0.8T)
 TERMINAL : BRASS
 - FINISH : TIN-PLATING
 - COUSTOMER PART NUMBER : H828
 - HOUSING COLOR
- | | | |
|---------------|---------|---|
| BLACK | 85294-2 | Ⓢ |
| NATURAL | 85294-1 | Ⓢ |
| HOUSING COLOR | PART NO | |
- TAB ALIGNMENT : ±30'
 - AVOID ANY GAP BETWEEN HSG AND METAL SHELL AFTER ASSEMBLY

THIS DRAWING IS A CONTROLLED DOCUMENT FOR TYCO ELECTRONICS CORPORATION. IT IS SUBJECT TO CHANGE AND THE CONTROLLING ORGANIZATION SHOULD BE CONTACTED FOR THE LATEST REVISION.		DWN : JG MOON				AMP KOREA, kyungsan, korea	
DIMENSIONS: mm		CHK: BM JANG				NAME	
TOLERANCES UNLESS OTHERWISE SPECIFIED: 0 <XX<10 ± 0.2 10<XX<30 ± 0.25 30<XX ± 0.3 ANGLES ± 3°		APVD : CS LEE		PRODUCT SPEC		COMBI CONNECTOR "V" 14P ASS'Y	
3rd ANGLE PROJECTION		APPLICATION SPEC		WEIGHT		RESTRICTED TO	
MATERIAL		FINISH		SCALE 2/1		SHEET 1 OF 1	
				REV B			