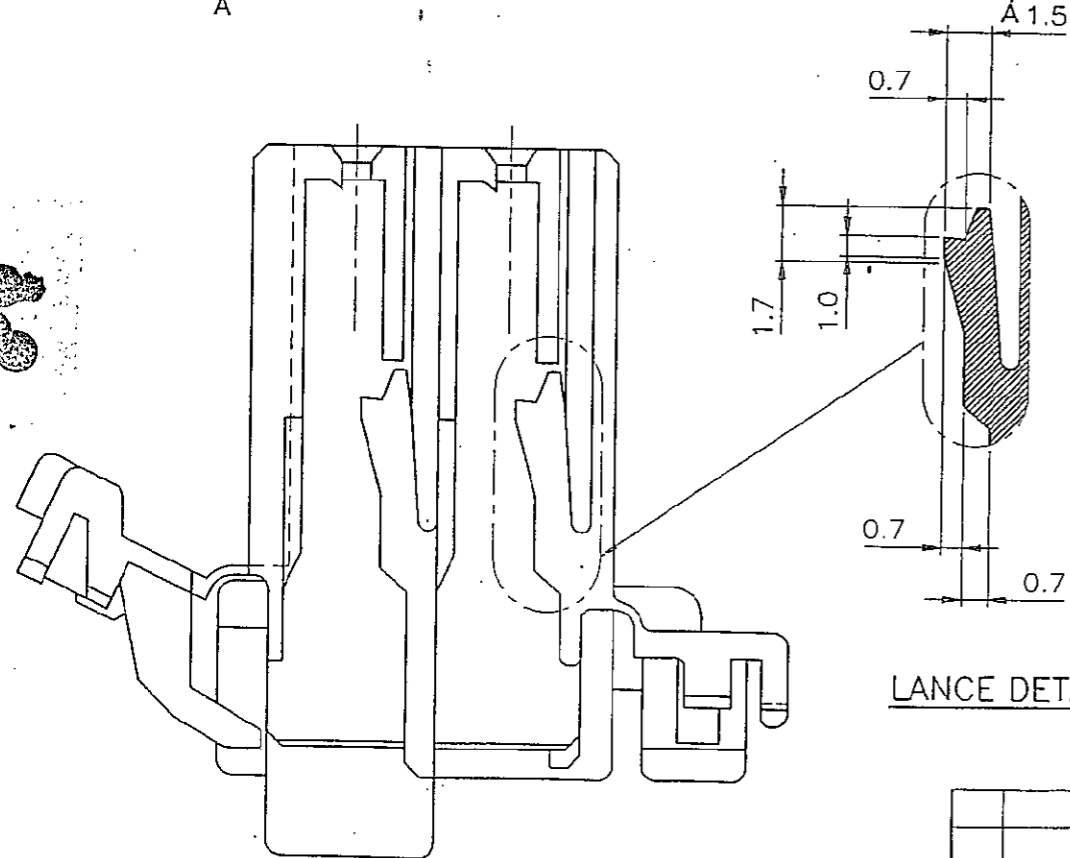
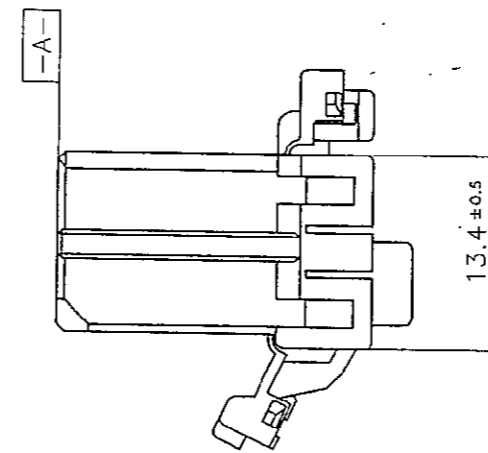
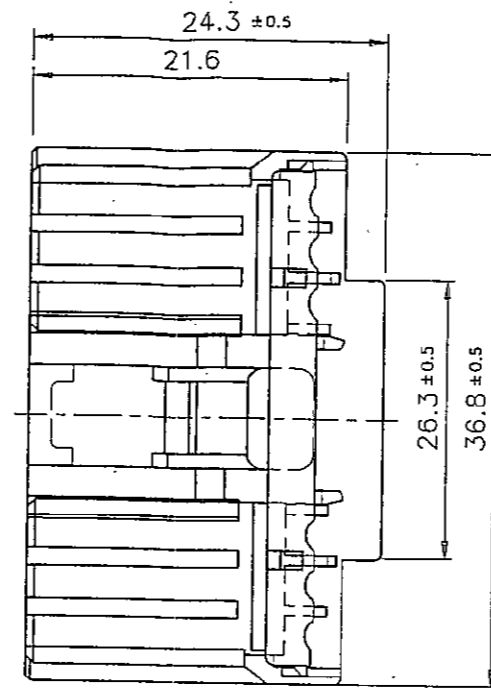
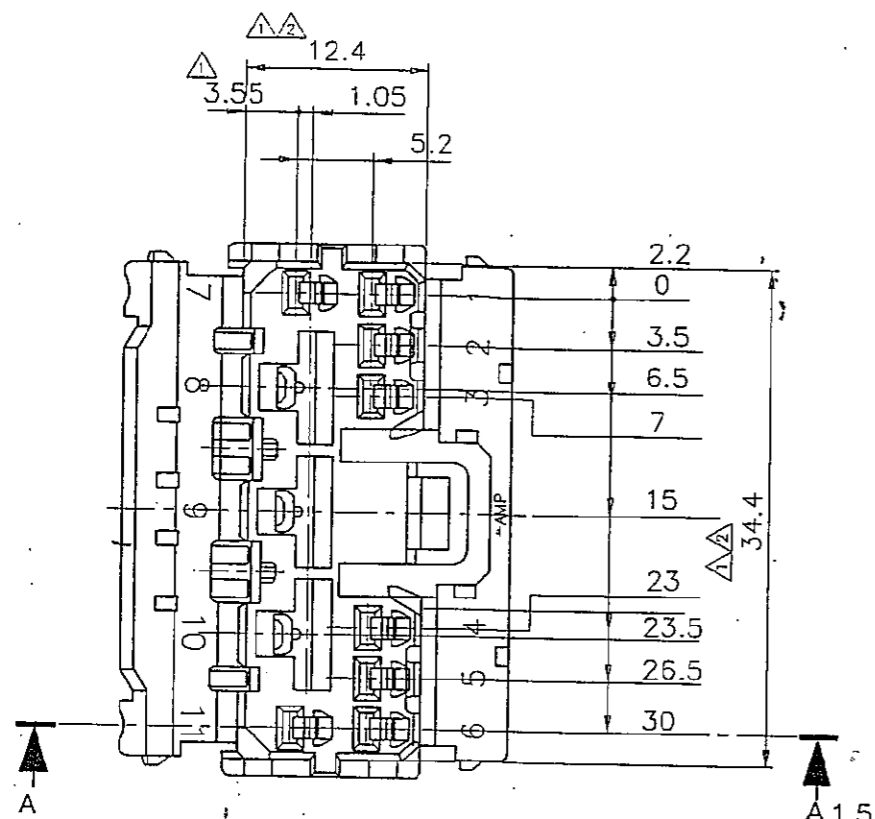


# CUSTOMER DRAWING



LANCE DETAIL

SECTION A-A

NOTE:

- △ TO BE MEASURED BETWEEN -A- AND 2
- △ TO BE MATE WITH TAP HSG SMOOTHLY
- 3 APPLIED RECEPTACLE CONTACT PART NUMBERS  
 .070 SERIES, 173630, 173631  
 .250 SERIES, 170032, 170258, 170384
- 4 APPLIED TAB HSG P/N : 85110

© 19 98 AMP MFG KOREA ALL RIGHT RESERVED AMP PRODUCTS COVERED BY PATENTS AND OR PATENTS PENDING					<b>AMP</b> AMP MFG KOREA					
WIRE RANGE			INSULATION DIA		NAME					
MATERIAL			FINISH/COLOR		070/250 HYBRID 11P REC HSG					
PBT					TOLERANCES			SIZE	LDC	NUMBER
DR JW JUNG			APP CS LEE		0KXX10 ±0.2 10KXX30 ±0.25 30KXX100 ±0.3 ANGLES ±3°			A2	DS	85109
CHK BM JANG			REL CS LEE		SCALE			2/1	REV	SHEET
LTR REVISION RECORD					DR	CHK	DATE	0		1/1