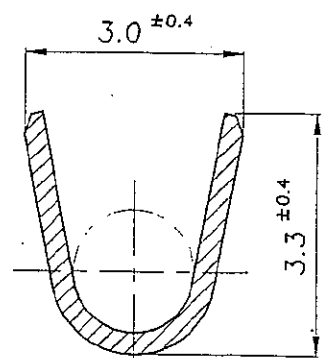
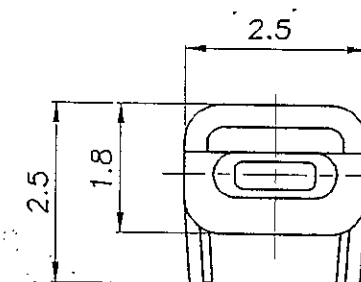
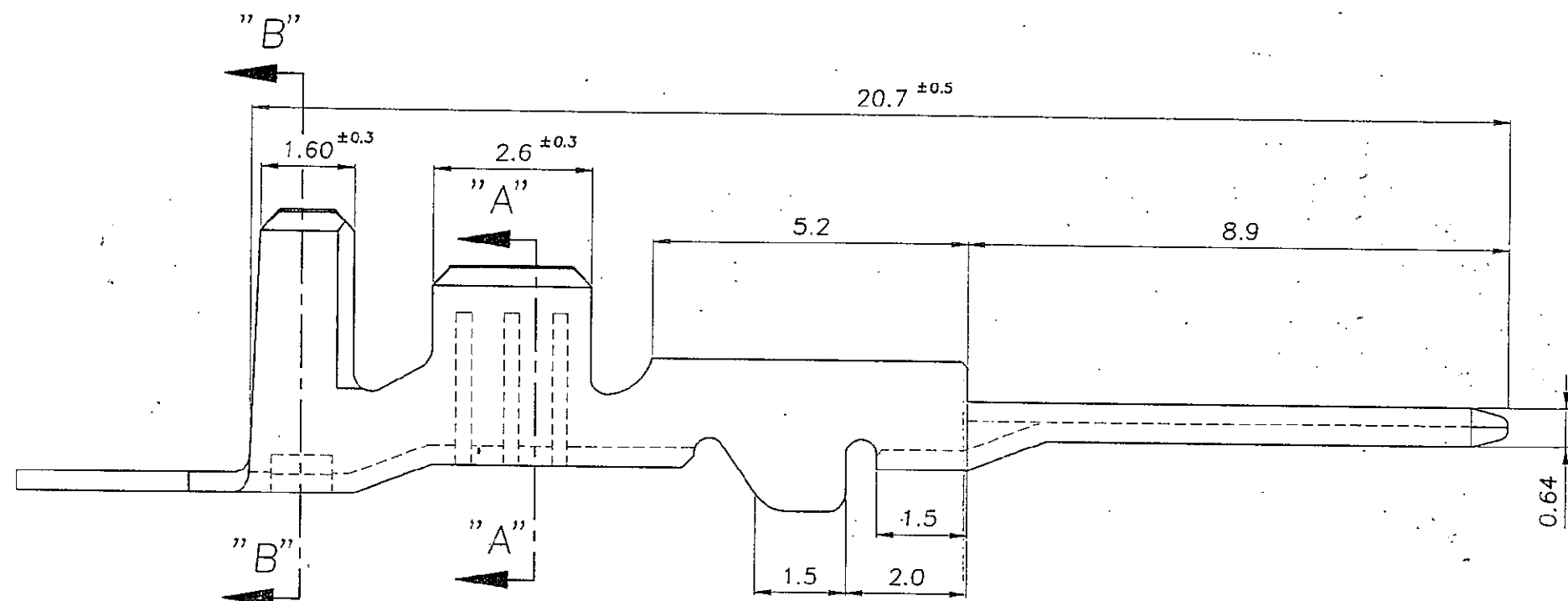
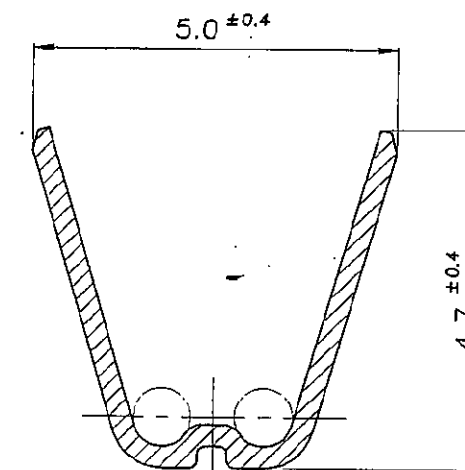
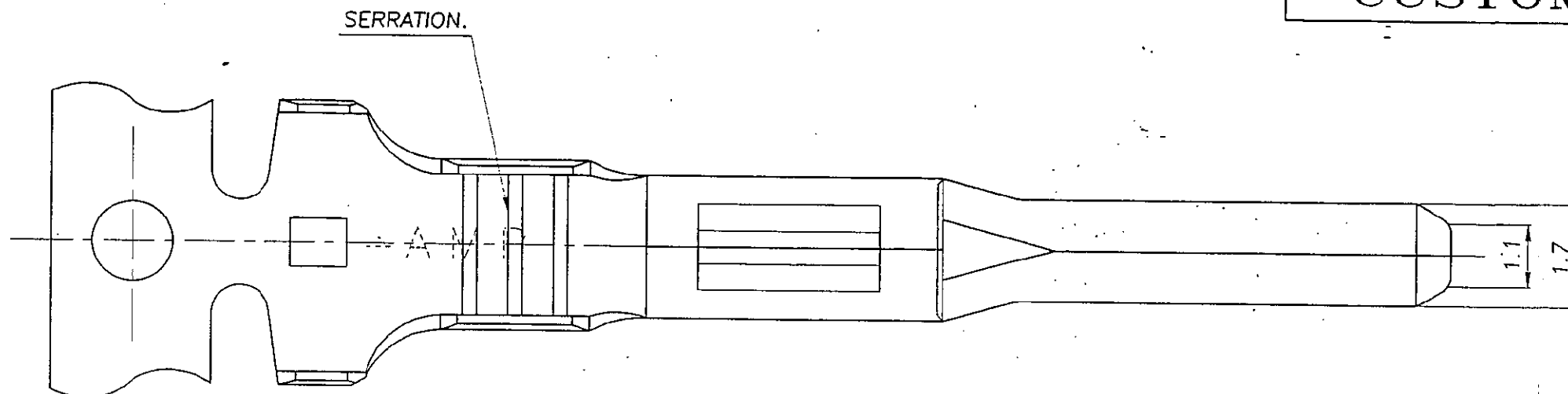


CUSTOMER DRAWING



\* NOTES;

1. RECEPTACLE CONTACT P/N 85098.
2. PRODUCT SPEC. 108-5216.
3. APPLICATION SPEC. 114-5092.
4. CUSTOMER MANUAL. CM-520J(MARK-I)

PRE-TIN	BRASS 0.32t	85099 -1
FINISH	MATERIAL	PART NUMBER

© 1996 AMP MFG KOREA  
 ALL RIGHT RESERVED AMP PRODUCTS COVERED BY PATENTS  
 AND OR PATENTS PENDING

**AMP** AMP MFG KOREA  
 KYUNG SAN PLANT.

WIRE RANGE AWG No. #12	INSULATION DIA	NAME		
2.0 mmSQ	2.70 DIA.	"070" SERIES TAB CONTACT.		
MATERIAL	FINISH/COLOR	TOLERANCES	SIZE	LOC
SEE TABLE	SEE TABLE	0<XX<10 ±0.2	A3	DS
		10<XX<30 ±0.25	SCALE	REV
		30<XX<100 ±0.3	10/1	0
		ANGLES ±3°		
DR <i>[Signature]</i>		APP	NUMBER	
CHK <i>[Signature]</i>		REL	8 5 0 9 9	
LTR		REVISION RECORD	DR	CHK
DATE			DATE	


PRINT DIST.

SECTION "C-C"

SECTION "D-D"