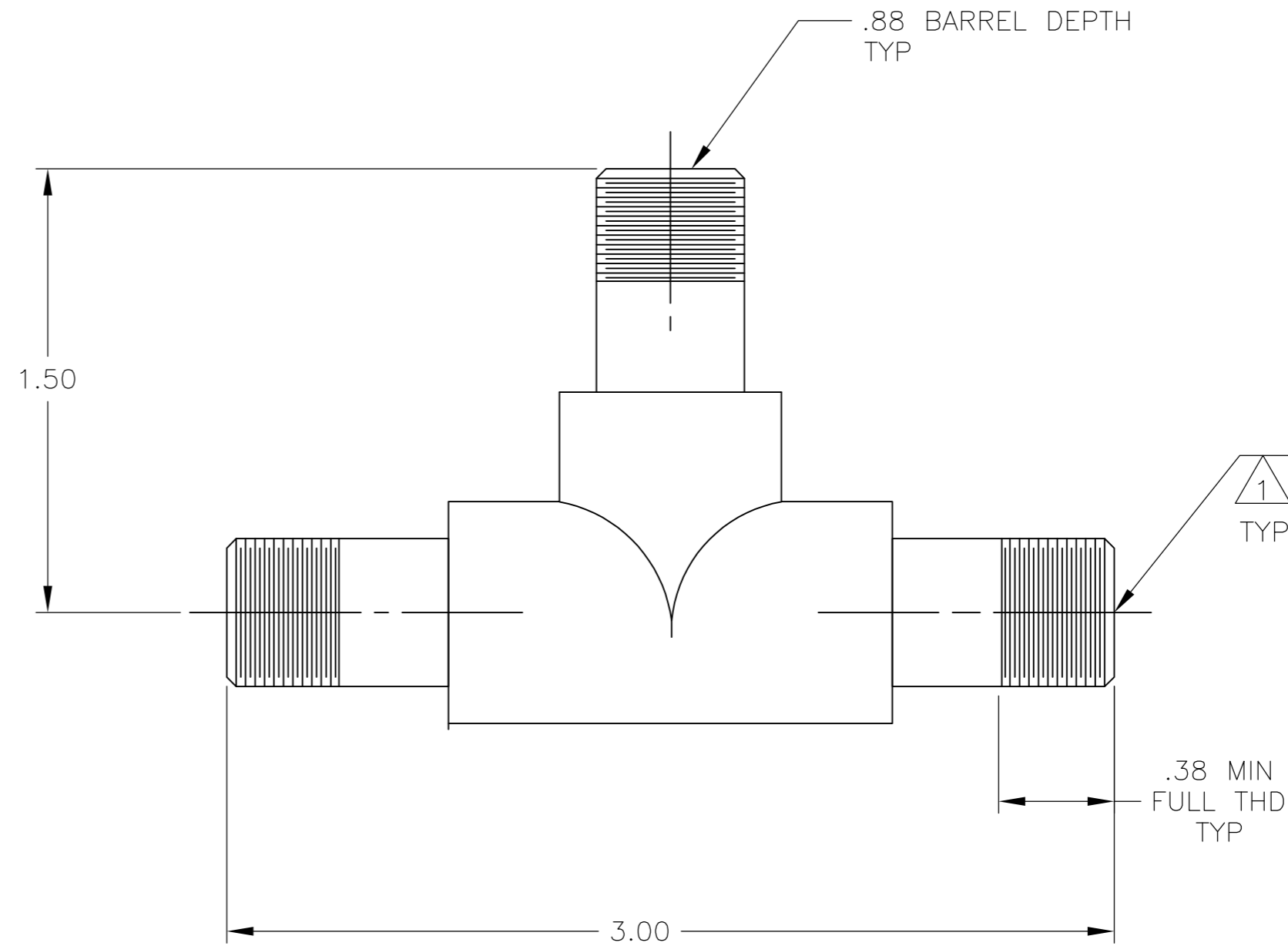
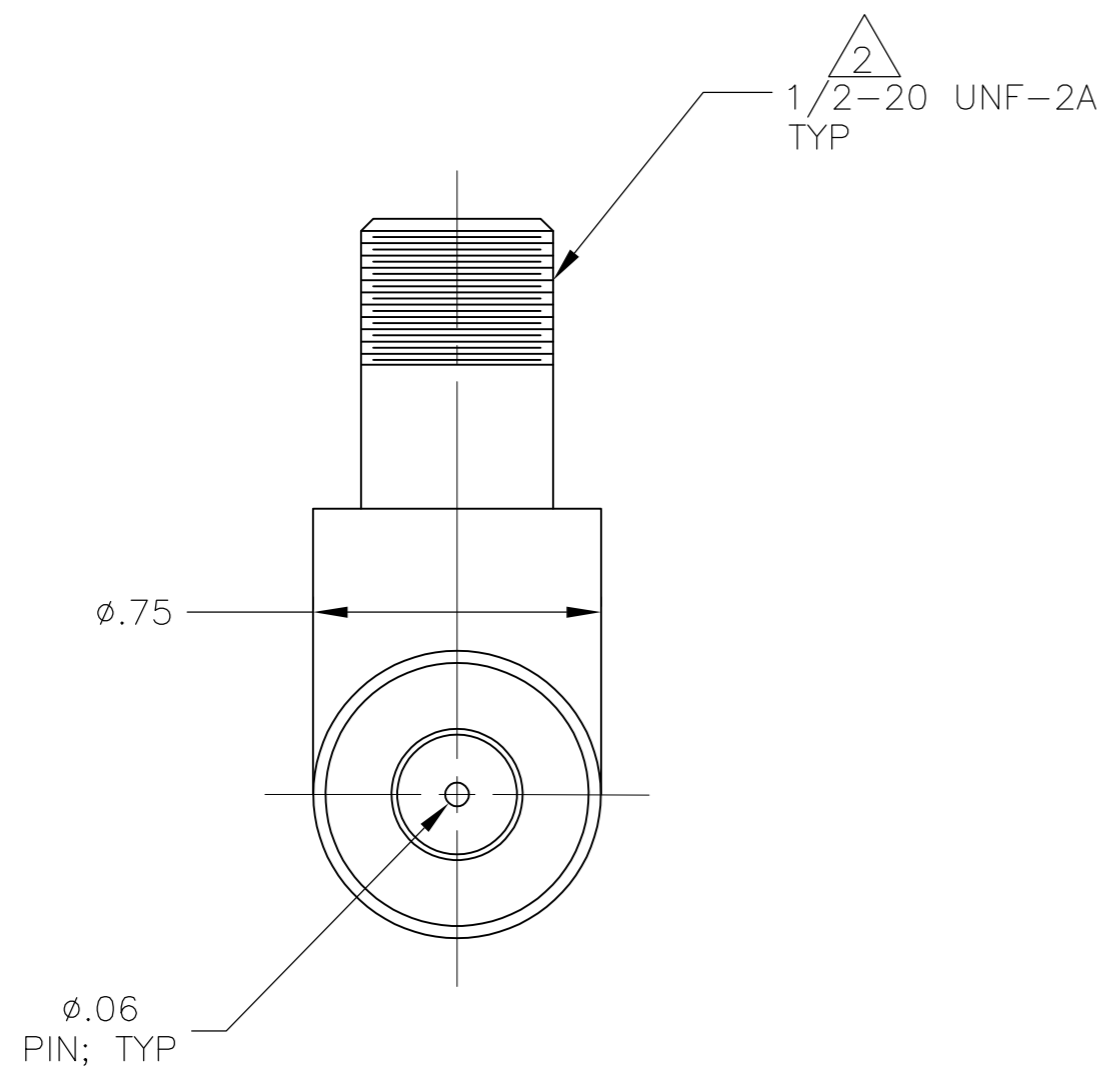


THIS DRAWING IS UNPUBLISHED. RELEASED FOR PUBLICATION
 © COPYRIGHT - By - ALL RIGHTS RESERVED.

LOC		DIST		REVISIONS			
P	LTR	DESCRIPTION		DATE	DWN	APVD	
D		REV PER ECO 12-015201		8-21-12	CT	DE	



- 1 RECEPTACLE TO MATE WITH TE LGH-1 LEAD ASSY, AVAILABLE SEPARATELY.
- 2 PER FEDERAL STANDARD H-28 3 WIRE METHOD, DIMENSION OVER WIRES TO BE: .497-.510.

AS SHOWN WITH TIN GOLD PINS	849671-2
AS SHOWN WITH TIN PLATED PINS	849671-1
REMARKS	PART NO.

THIS DRAWING IS A CONTROLLED DOCUMENT.		DWN	C.C.THOMAS	8-21-12		TE Connectivity																				
DIMENSIONS: INCHES		CHK	D.EABY	8-21-12		NAME																				
TOLERANCES UNLESS OTHERWISE SPECIFIED:		APVD	D.EABY	8-21-12		T-CONNECTOR RCPT., LGH-1																				
<table border="1"> <tr><td>0 PLC</td><td>±</td><td>-</td></tr> <tr><td>1 PLC</td><td>±</td><td>-</td></tr> <tr><td>2 PLC</td><td>±</td><td>.04</td></tr> <tr><td>3 PLC</td><td>±</td><td>.015</td></tr> <tr><td>4 PLC</td><td>±</td><td>-</td></tr> <tr><td>ANGLES</td><td>±</td><td>-</td></tr> </table>		0 PLC	±	-		1 PLC	±	-	2 PLC	±	.04	3 PLC	±	.015	4 PLC	±	-	ANGLES	±	-	PRODUCT SPEC	-		SIZE	CAGE CODE	DRAWING NO
0 PLC	±	-																								
1 PLC	±	-																								
2 PLC	±	.04																								
3 PLC	±	.015																								
4 PLC	±	-																								
ANGLES	±	-																								
MATERIAL	FINISH	WEIGHT	-		A2	00779	C=849671	-																		
MOLDED GLASS EPOXY	BLACK	CUSTOMER DRAWING	SCALE		2:1	SHEET	1 of 1	REV																		
								D																		