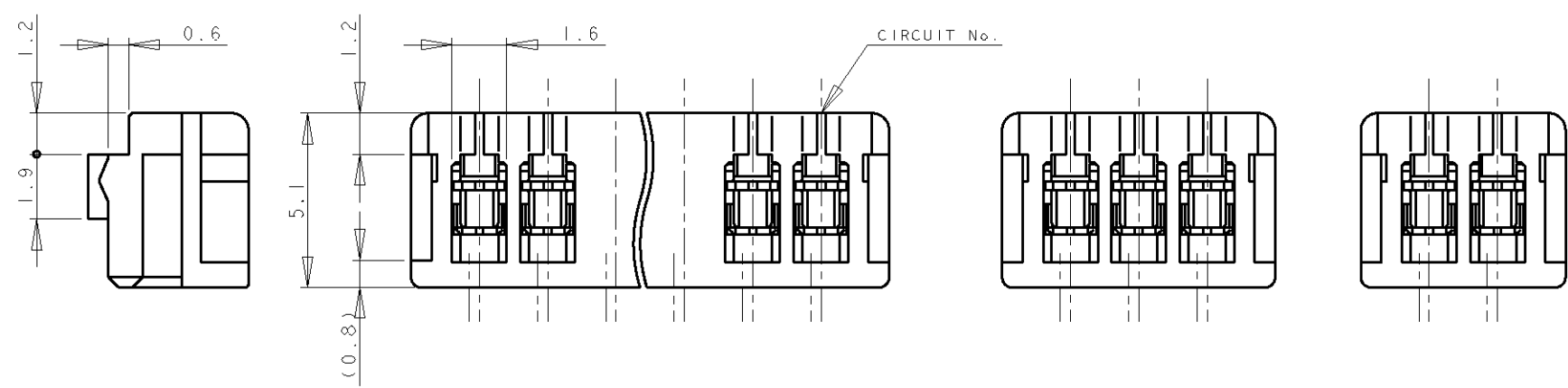
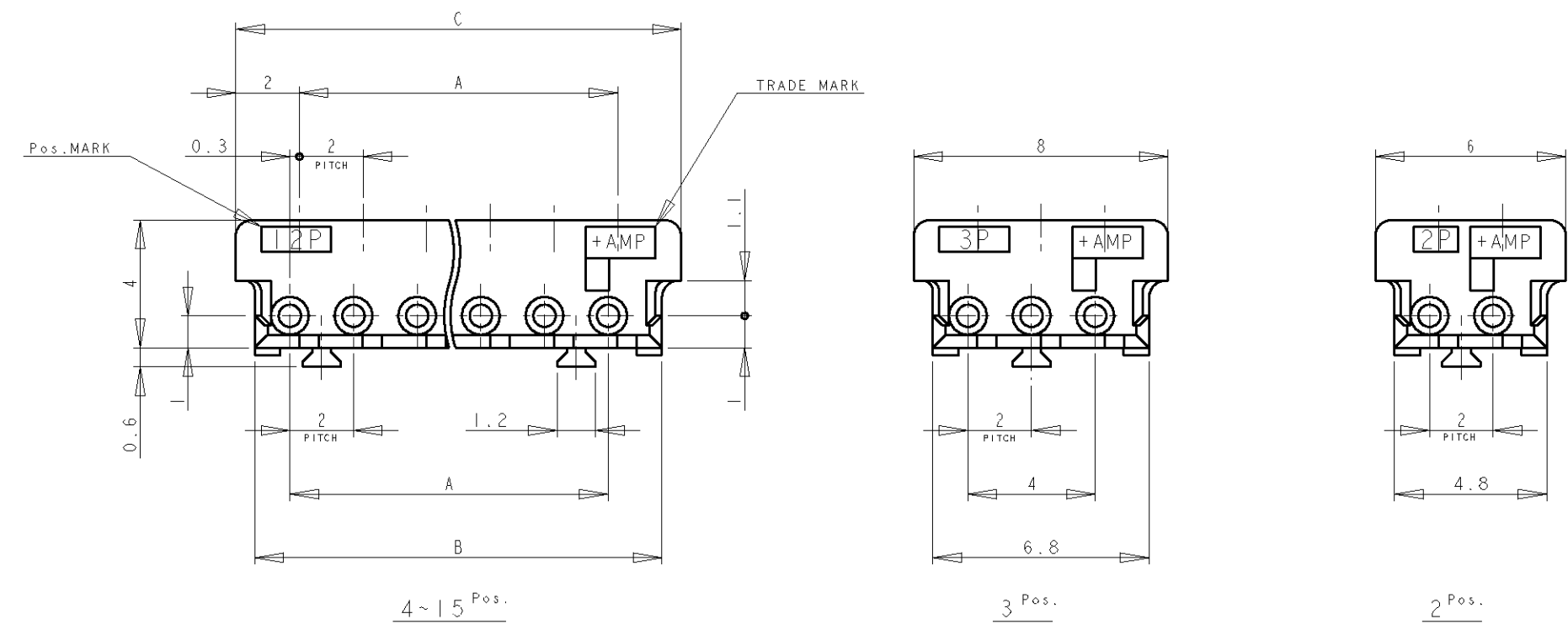


THIS DRAWING IS UNPUBLISHED. RELEASED FOR PUBLICATION .19  
 BY AMP INCORPORATED. ALL RIGHTS RESERVED.

LOC	DIST	REVISIONS					
DY	-	P	LTR	DESCRIPTION	DATE	DWN	APVD
		0		NPR FP00-0081-03	10APR03	LWY	TLP



- NOTES:
- APPLICABLE WIRE SIZE : AWG# 28-26  
(UL1571,UL1061)  
INSULATION DIA RANGE : 0.85~1.05
  - MATERIAL :  
HOUSING : PBT(G.F)UL94V-0  
CONTACT : PRE-TIN PHOS-BRONZE
  - PRODUCT SPEC : 108-5218
  - APPLICATION SPEC : 114-5104



1-84941-5	15	28	30.8	32
1-4	14	26	28.8	30
1-3	13	24	26.8	28
1-2	12	22	24.8	26
1-1	11	20	22.8	24
1-0	10	18	20.8	22
-9	9	16	18.8	20
-8	8	14	16.8	18
-7	7	12	14.8	16
-6	6	10	12.8	14
-5	5	8	10.8	12
-4	4	6	8.8	10
-3	3	-AS SHOWN		
84941-2	2	-AS SHOWN		
RED	POS	A	B	C
PART NO.				

GENERAL TOLERANCE

0 < * < 10	: ±0.2
10 < * < 30	: ±0.25
30 < * < 100	: ±0.3
ANGLES	: ±3°

THIS DRAWING IS A CONTROLLED DOCUMENT FOR AMP INCORPORATED. IT IS SUBJECT TO CHANGE AND THE CONTROLLING ENGINEERING ORGANIZATION SHOULD BE CONTACTED FOR THE LATEST REVISION.		DWN WYLEE 10APR2003	Tyco Electronics Singapore Pte. Ltd.
DIMENSIONS: mm		CHK LP TAN 10APR2003	
TOLERANCES UNLESS OTHERWISE SPECIFIED		APVD WI CHOO	NAME MT REC HOUSING ASS'Y (AMP CT CONNECTOR 2mm PITCH)
0 PLC ± 1 PLC ± 2 PLC ± 3 PLC ± 4 PLC ± ANGLES ±		PRODUCT SPEC -	SIZE A3
MATERIAL 2		APPLICATION SPEC -	CAGE CODE 00779
FINISH 2		WEIGHT -	DRAWING NO C-84941
		CUSTOMER DRAWING	SCALE 4:1 SHEET 1 OF 1 REV 0