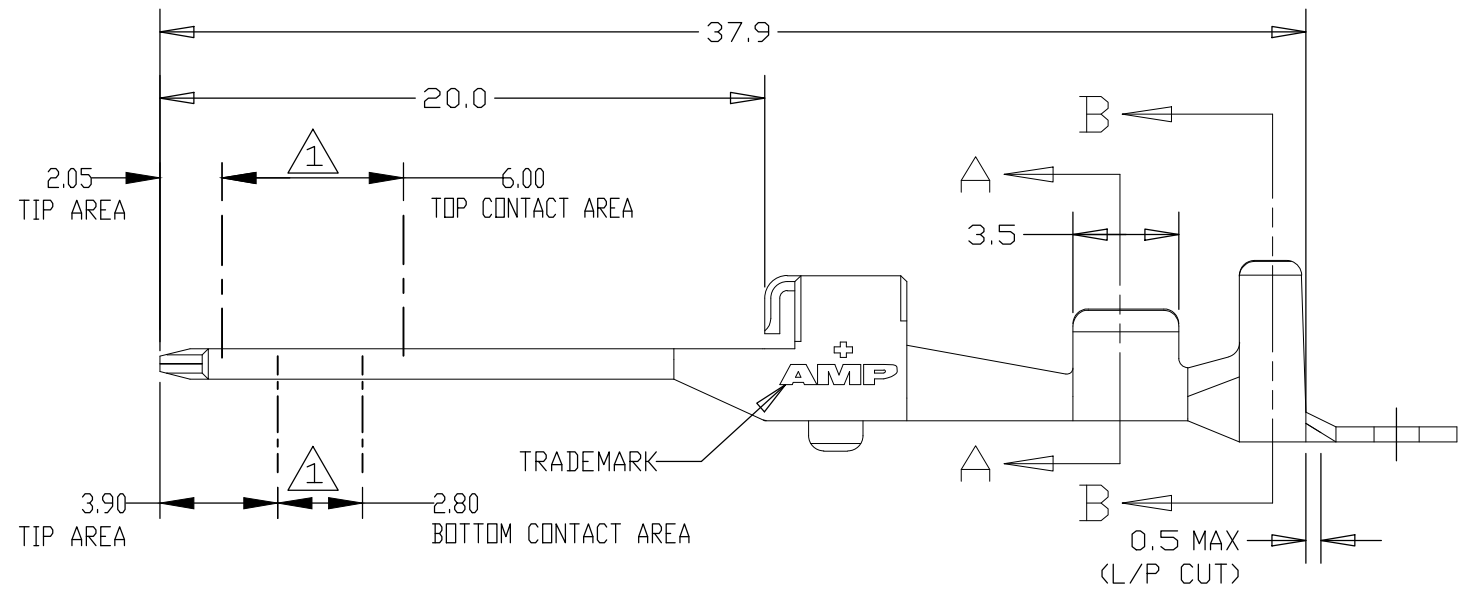
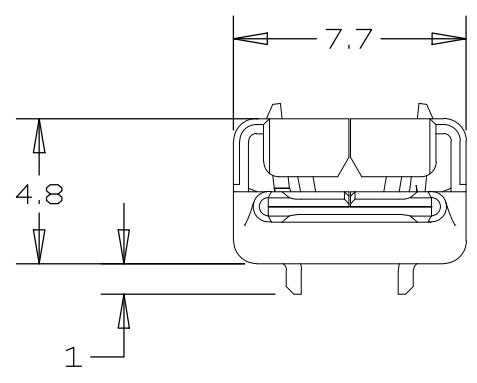
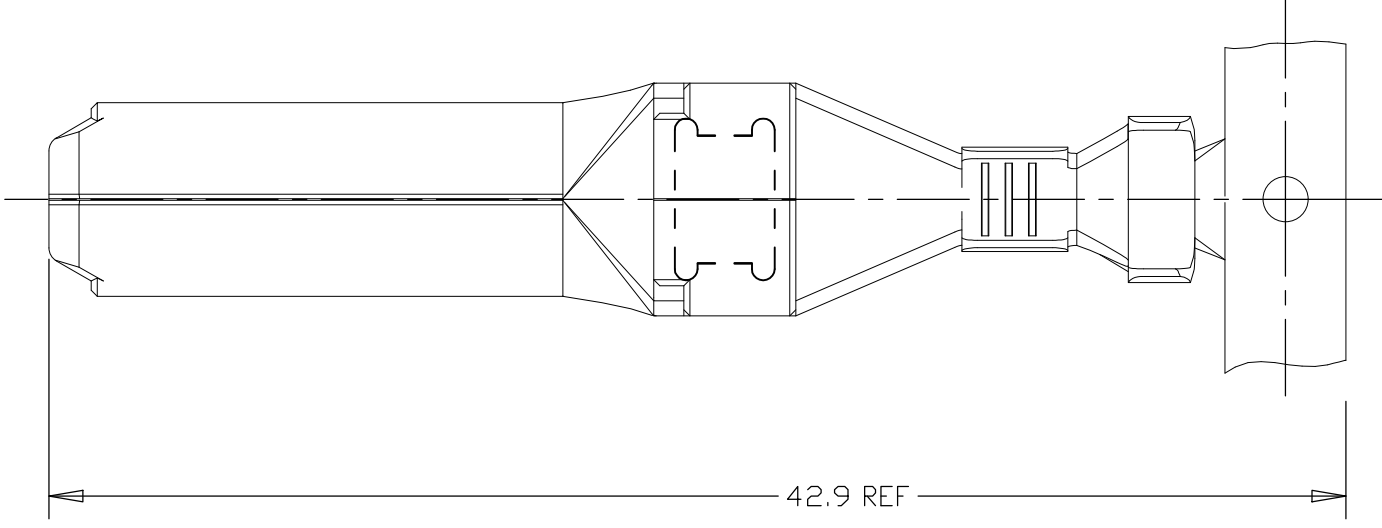
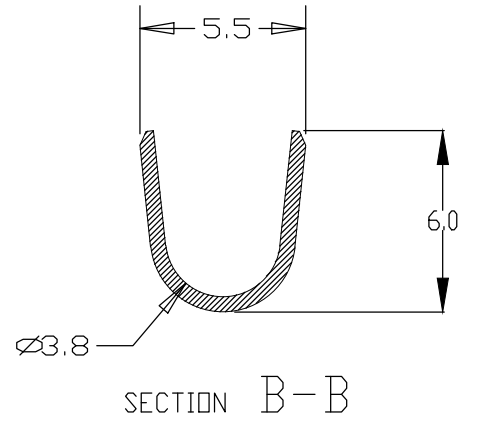
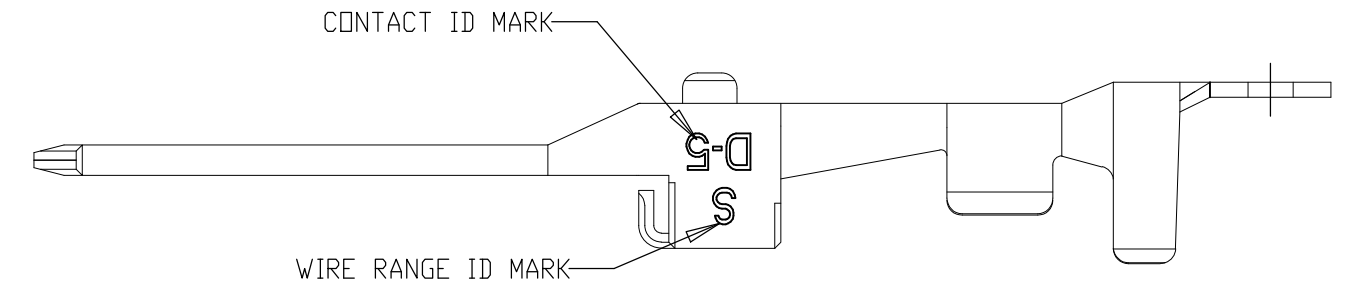
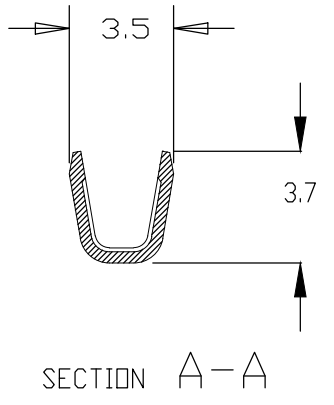


THIS DRAWING IS UNPUBLISHED. RELEASED FOR PUBLICATION .19
 © COPYRIGHT 19 BY AMP INCORPORATED. ALL RIGHTS RESERVED.

LOC	DIST	REVISIONS			
P	LTR	DESCRIPTION	DATE	DWN	APVD
ES	00				
		C REVISED PER ECR-19-014502	17SEP2019	T.S	E.I



\triangle	84696-1
FINISH	PART NO.

WIRE RANGE	INSULATION DIA
1.23/2.27mm ² AWG #16/#14	3/3.8mm ϕ

NOTES:
 \triangle FINISH : 0.2 μ m MIN GOLD PLATING (CONTACT AREA) OVER Ni UNDER PLATING ALL OVER EXCEPT INSIDE OF CONTACT BOX
 GOLD PLATING THK DID NOT CONTROL AT CONTACT TIP AREA
 2. TOLERANCE UNLESS OTHERWISE SPECIFIED
 * ≤ 10 : ± 0.3
 10 < * ≤ 30 : ± 0.35
 30 < * ≤ 100 : ± 0.4
 ANGLE: $\pm 3^\circ$

THIS DRAWING IS A CONTROLLED DOCUMENT FOR AMP INCORPORATED. IT IS SUBJECT TO CHANGE AND THE CONTROLLING ENGINEERING ORGANIZATION SHOULD BE CONTACTED FOR THE LATEST REVISION.		DWN	WY LEE	3JAN'00												
DIMENSIONS: mm		CHK	LP TAN	3JAN'00												
TOLERANCES UNLESS OTHERWISE SPECIFIED:		APVD	WL CHOO	31MAY'01												
<table border="0"> <tr><td>0 PLC</td><td>\pm</td></tr> <tr><td>1 PLC</td><td>± 0.30</td></tr> <tr><td>2 PLC</td><td>± 0.35</td></tr> <tr><td>3 PLC</td><td>± 0.40</td></tr> <tr><td>4 PLC</td><td>\pm</td></tr> <tr><td>ANGLES</td><td>$\pm 3^\circ$</td></tr> </table>		0 PLC	\pm	1 PLC	± 0.30	2 PLC	± 0.35	3 PLC	± 0.40	4 PLC	\pm	ANGLES	$\pm 3^\circ$	PRODUCT SPEC	NAME	
0 PLC	\pm															
1 PLC	± 0.30															
2 PLC	± 0.35															
3 PLC	± 0.40															
4 PLC	\pm															
ANGLES	$\pm 3^\circ$															
MATERIAL (COPPER ALLOY)		APPLICATION SPEC	114-5206													
FINISH SEE TABLE		WEIGHT	1.93g													
		CUSTOMER DRAWING														



TAB CONTACT "S" SIZE
 <DYNAMIC D-5000 SERIES>

SIZE	CAGE CODE	DRAWING NO
A3	00779	C=84696
SCALE	SHEET	OF
4:1	1	1
REV	C	