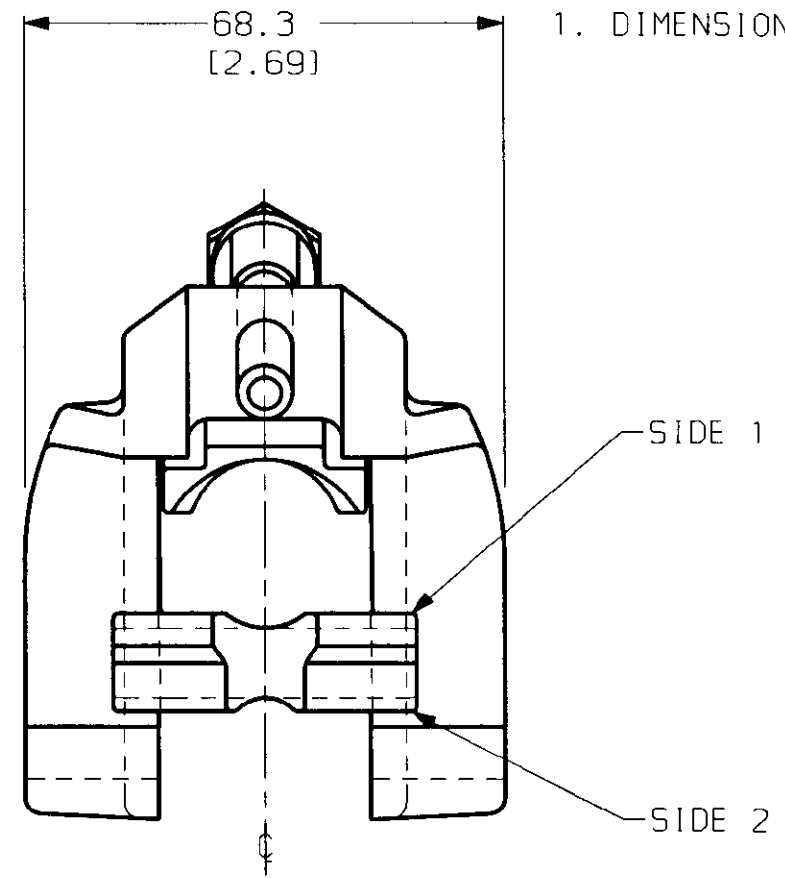
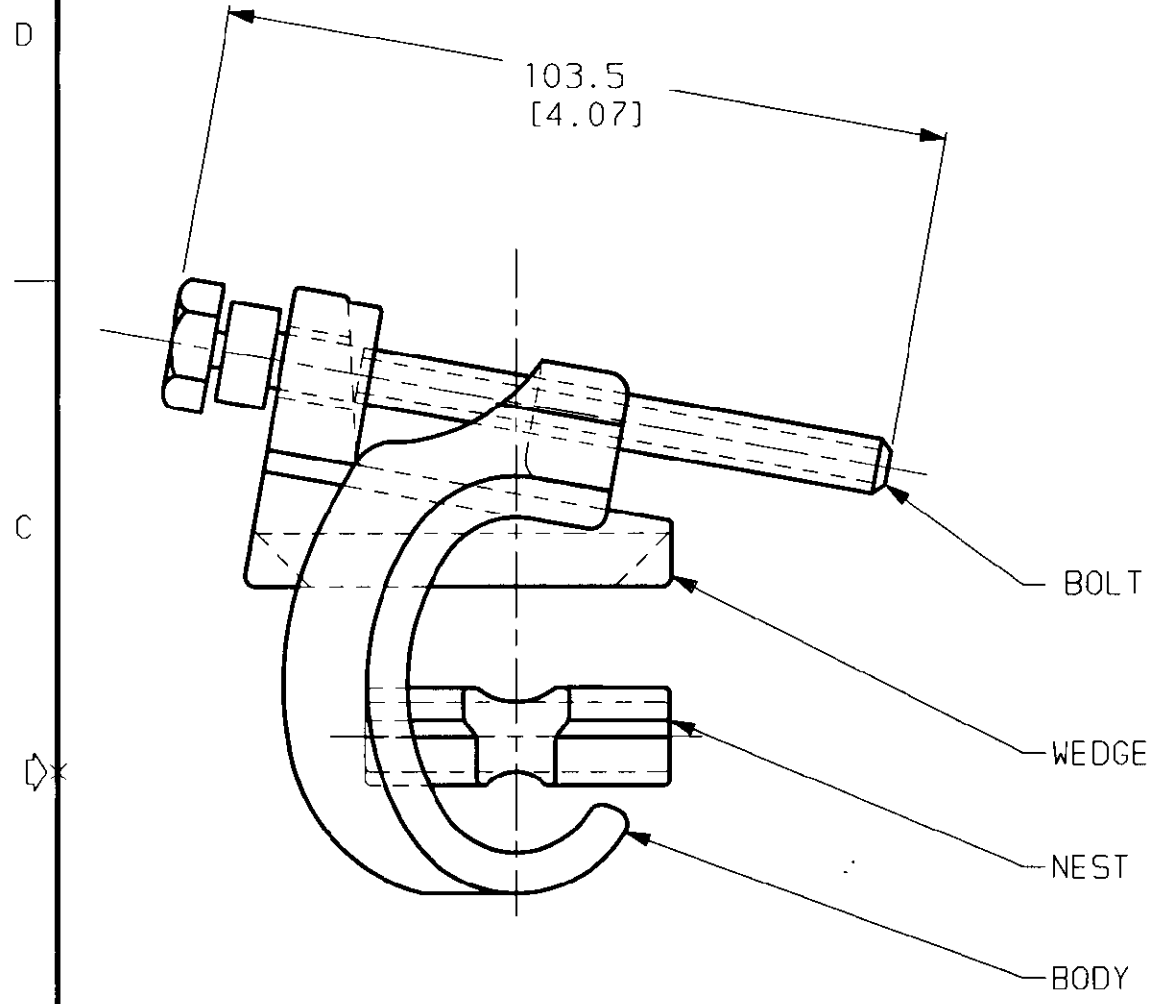


DRAWING MADE IN THIRD ANGLE PROJECTION

THIS DRAWING IS UNPUBLISHED. RELEASED FOR PUBLICATION, 19 .  
 © COPYRIGHT 19 BY AMP OF CANADA LTD. ALL INTERNATIONAL RIGHTS RESERVED.

LOC	DIST	P	F	ZONE	LTR	DESCRIPTION	DATE	APPD
BG	1				B	REV. PER LC00-0046-95	16MAY95	<i>Jan</i>



1. DIMENSIONS ARE FOR REFERENCE ONLY.

350	400	83751-4
350	350	83751-3
300	300	83751-2
4/0	3/4" CU ROD, 400	83751-1
SIDE 2	SIDE 1	PART NO
WIRE SIZE		

DO NOT SCALE PRINT. UNLESS SPECIFIED DIMENSIONS IN mm (INCHES) TOLERANCES ON: 2 PLC DEC ± 3 PLC DEC ± ANGLES ±	DR C. RICHTER 24NOV93	<b>AMP</b> AMP of CANADA Ltd. Markham, Ont.	
	CHK -	NAME	
	APPD G. MENECHHELLA 11 JAN 93	CONNECTOR, ASYMMETRICAL NEST, LARGE, GROUNDING GRID	
	APPD -	SIZE <b>B</b>	CAGE CODE 09482
MATERIAL N/A	PRODUCT SPEC -	SCALE 1:1	SHEET 1 OF 1
FINISH N/A	APPLICATION SPEC -		
	WEIGHT -		

**METRIC**