

THIS DRAWING IS UNPUBLISHED.

RELEASED FOR PUBLICATION

20

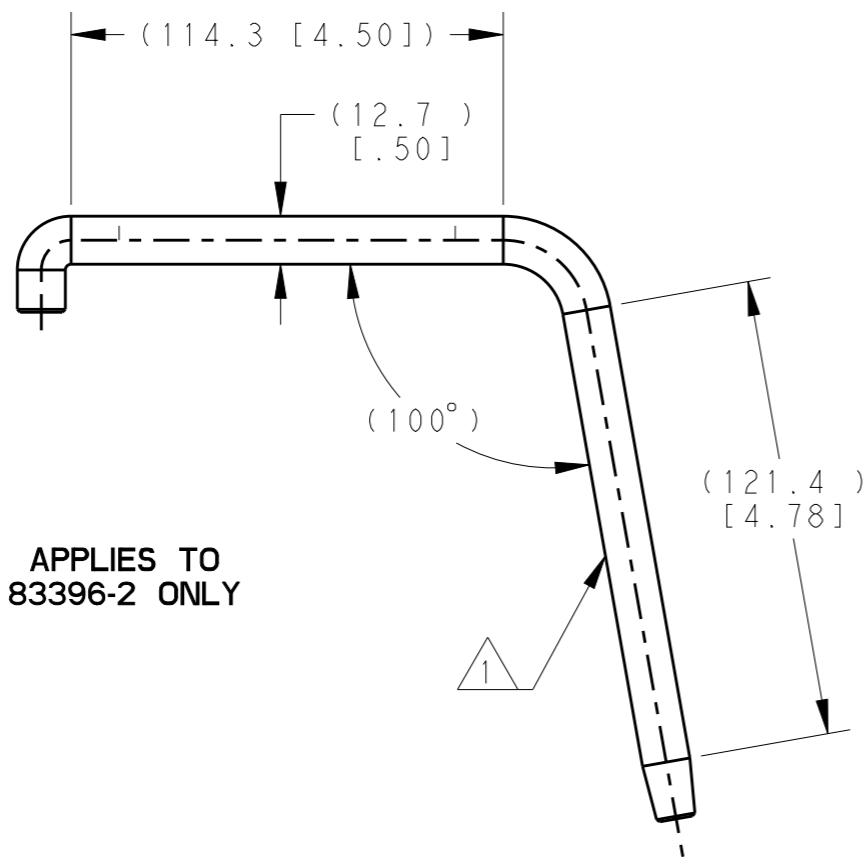
© COPYRIGHT 20 BY -

ALL RIGHTS RESERVED.

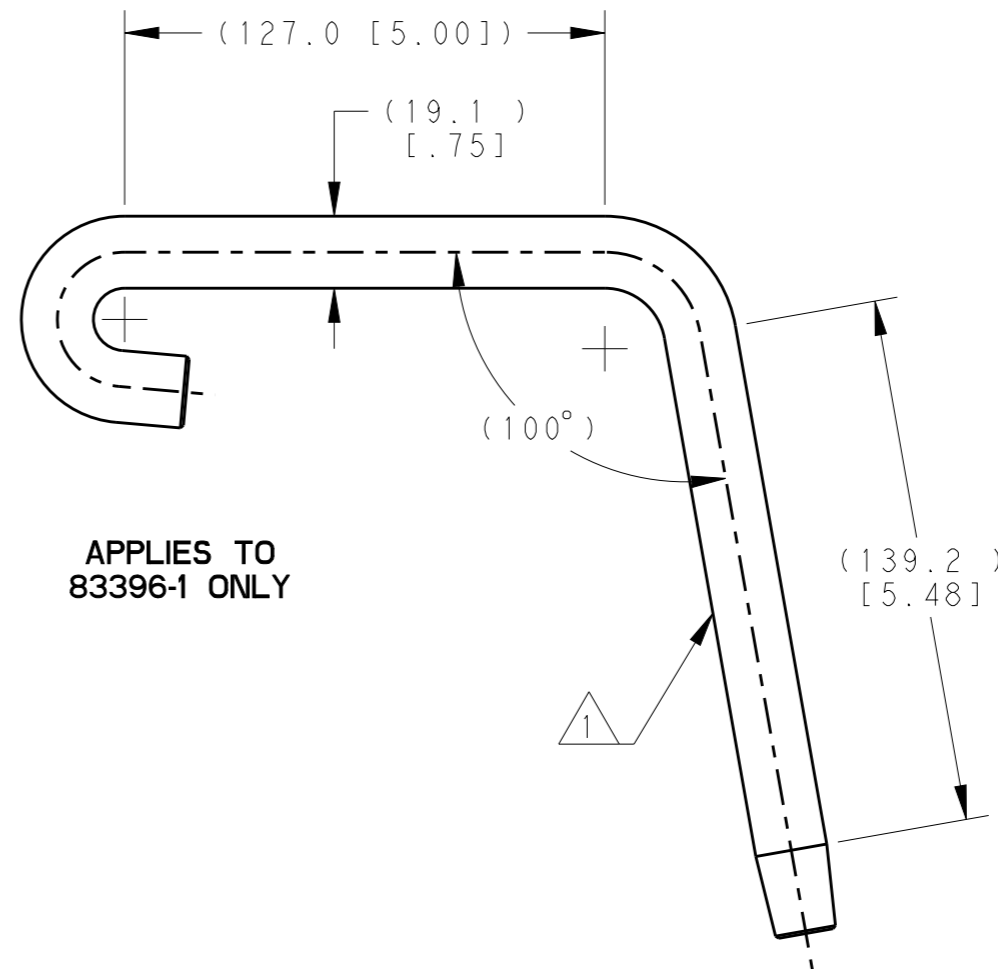
LOC GA DIST 1

REVISIONS

P	LTR	DESCRIPTION	DATE	DWN	APVD
	J	LC20-0087-13 / ECO-13-013940	24AUG2013	DM	BJ
	K	LC20-0106-14 / ECO-14-012264	29JUL2014	DM	BJ
	L	LC20-0010-15 / ECO-15-001631	22JAN2015	DM	BJ
	M	LC20-0051-15 / ECO-15-006191	16APR2015	JG	BJ



APPLIES TO 83396-2 ONLY



APPLIES TO 83396-1 ONLY

1 MARKING: FOR 83396-1;

AMP 83396-1 10864L4 [DATE CODE]

FOR 83396-2;

AMP 83396-2 10864L5 [DATE CODE]

2. FINISH: ELECTRO-TIN PLATED.

1/2 INCH	10864L5	83396-2
3/4 INCH	10864L4	83396-1
STUD SIZE	CATALOG NO.	PART NO.

THIS DRAWING IS A CONTROLLED DOCUMENT.		DWN 28FEB2006 D. MURUGIAH	STE TE Connectivity	
DIMENSIONS: mm [INCHES]		CHK 28FEB2006 A. BULZA		
TOLERANCES UNLESS OTHERWISE SPECIFIED:		APVD 28FEB2006 B. JOHNSON	NAME STUD, JUMPER, 3/4 AND 1/2 INCH DIAMETER	
0 PLC ±		PRODUCT SPEC	SIZE CAGE CODE DRAWING NO RESTRICTED TO	
1 PLC ±		APPLICATION SPEC	A300779 C-83396	
2 PLC ±		WEIGHT	Customer Drawing SCALE NTS SHEET 1 OF 1 REV M	
3 PLC ±				
4 PLC ±				
ANGLES ±				
MATERIAL ETP CU		FINISH SEE NOTES		